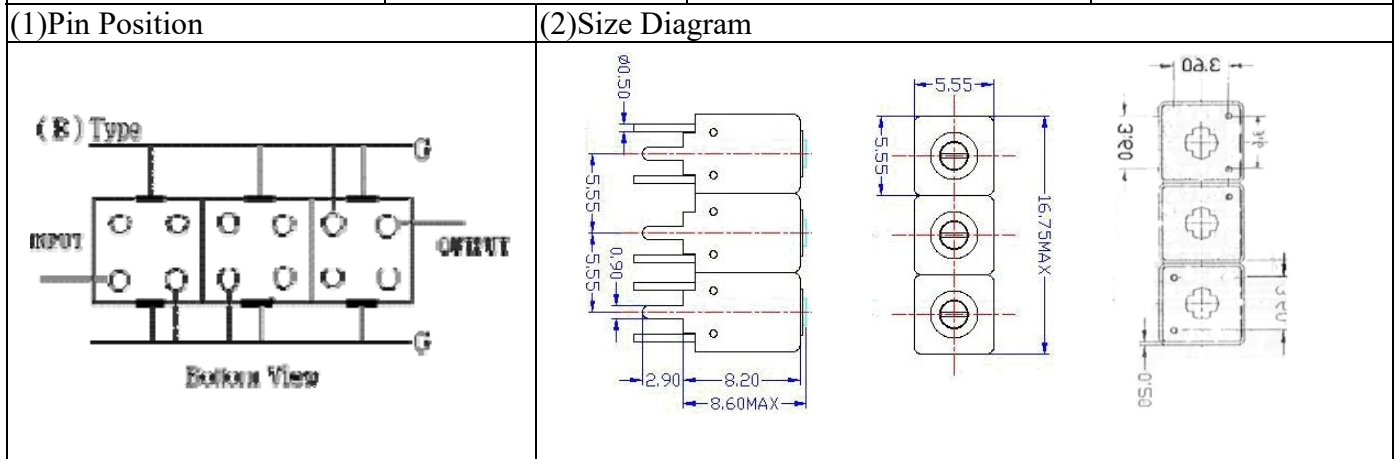


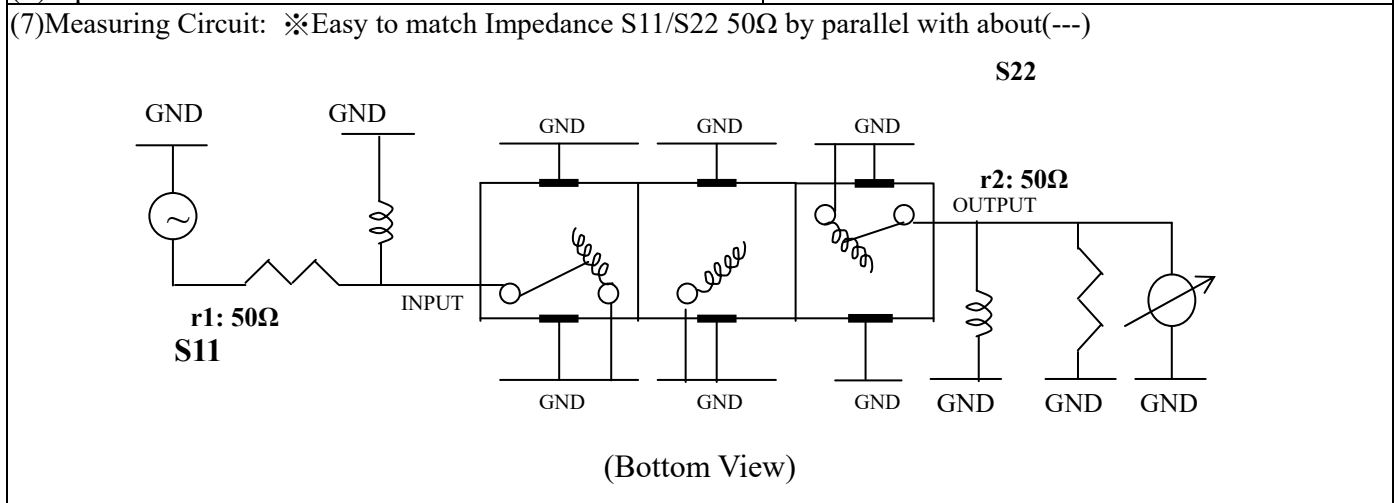
VHF UHF Helical Filter Specification Sheet

Customer Name		Temwell's Part No.	TTW31058B-1542M
Approval No. /dated	201902002CD	Temwell's Print Name	31058B 1542M
Work Instruction No.	201902002CD	Date	Mar.04.2019



(3) Electric Character			
Item	Specify	Performance	
Center Freq.(Fo) +/- 0.5 %	1542 MHz	1542 MHz	
Insertion Loss	Typ. 4.0 dB	3.11 dB	
-3 dB Bandwidth	Typ. 34 MHz	38.7 MHz	
Sensitivity (Attenuation)	Fo - 100 MHz	Typ. 36 dBc	41 dBc
	Fo + 100 MHz	Typ. 26 dBc	31 dBc
	Fo - ()MHz	Typ. dBc	dBc
	Fo +()MHz	Typ. dBc	dBc
Return Loss	Min. 12 dB	22.5 dB	
Ripple	< 1 dB	dB	
Impedance	In / Out : 50 Ω	In / Out : 50 Ω	
(4) Torque for Tuning Screw		> 60gf · cm	

(5) Temperature Condition:	
Operating Temperature	0°C ~ +60°C
Storage Temperature	-20°C ~ +70°C
(6) Input Power	
> 0.5Watt	



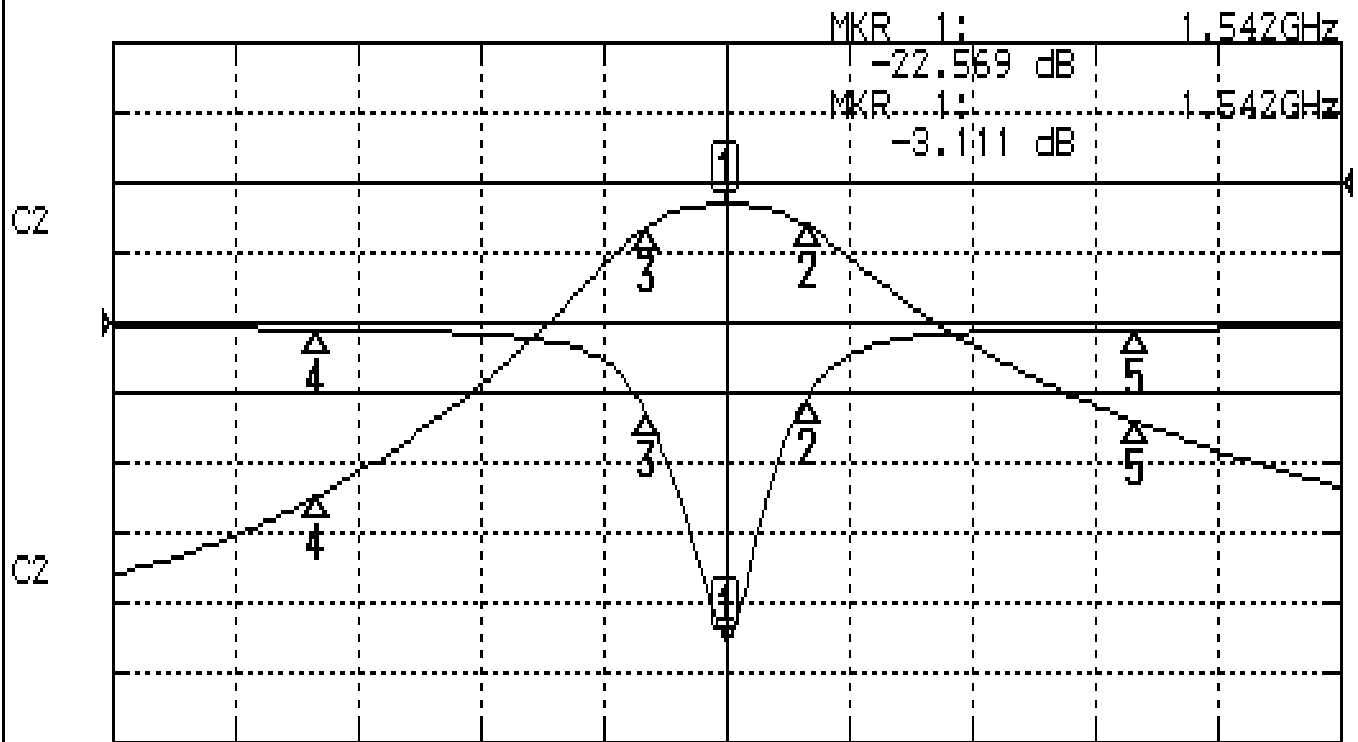
Approval C.Y.Chang	Supervisor C.K.Chang	Designer C.H.Yeh	Aperture size 5W3S(3.8*3.5)(3.52) 5HW024RB3
-----------------------	-------------------------	---------------------	---

TEMWELL CORPORATION

Performance-TTW31058B-1542M

201902002CD

CH1 S11 LOG MAG REF 0.000 dB 5.000 dB/
CH2 S21 LOG MAG REF 0.000 dB 10.000 dB/



CENTER 1.542GHz

[10.00 dBm]

SPAN 300MHz

CH1 MARKER LIST

Marker	Freq (GHz)	Magnitude (dB)
1	1.542000	-22.569
2	1.561500	-5.484
3	1.522740	-6.508
4	1.442000	-0.495
5	1.642000	-0.480

CH2 MARKER LIST

Marker	Freq (GHz)	Magnitude (dB)
1	1.542000	-3.111
2	1.561500	-6.116
3	1.522740	-6.102
4	1.442000	-44.735
5	1.642000	-34.137