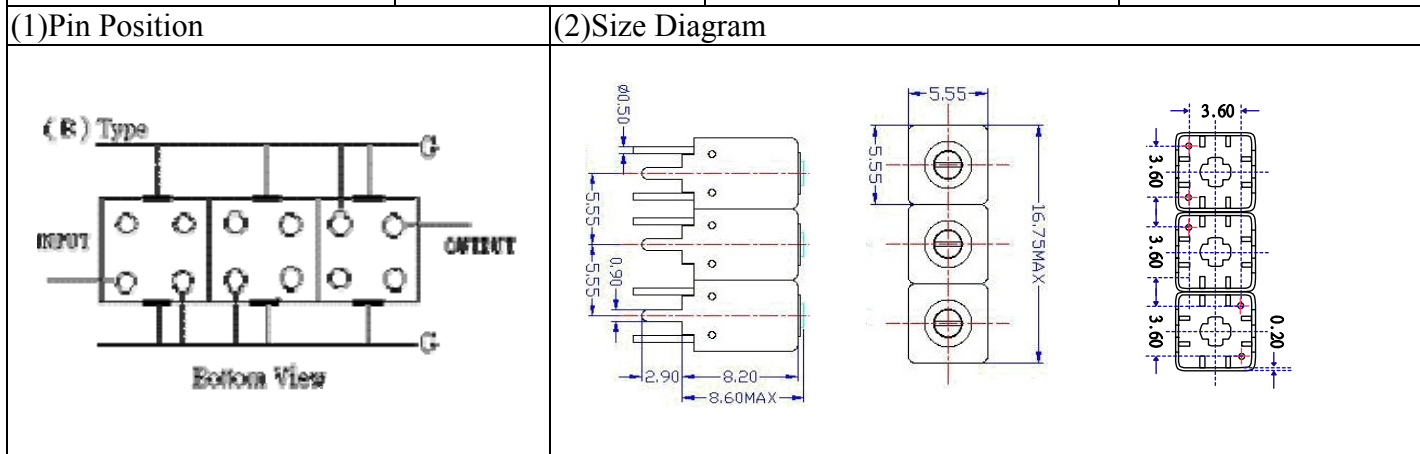


VHF UHF Helical Filter Specification Sheet

Customer Name		Temwell's Part No.	TTW31050B-700M
Approval No. /dated	201711014CD	Temwell's Print Name.	31050B 700M
Work Instruction No.	201711014CD	Date	Dec.04.2017



(3) Electric Character

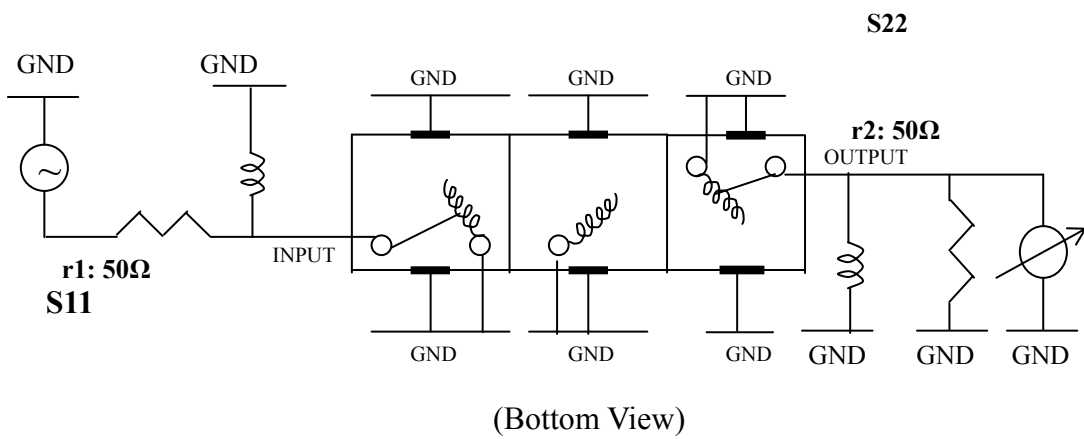
Item	Specify	Performance
Center Freq.(Fo) +/- 0.5 %	700 MHz	700 MHz
Insertion Loss	Typ. 8.0 dB	6.81 dB
-3 dB Bandwidth	Typ. 5 MHz	10.7 MHz
Sensitivity (Attenuation)	Fo - 50 MHz	Typ. 46 dBc
	Fo + 50 MHz	Typ. 39 dBc
	Fo - ()MHz	Typ. dBc
	Fo + ()MHz	Typ. dBc
Return Loss	Min. 12 dB	24.0 dB
Ripple	< 1 dB	
Impedance	In / Out : 50 Ω	In / Out : 50 Ω
(4) Torque for Tuning Screw	> 60gf · cm	

(5) Temperature Condition:

Operating Temperature	0°C ~ +60°C
Storage Temperature	-20°C ~ +70°C

(6) Input Power

(7) Measuring Circuit: ※Easy to match Impedance S11/S22 50Ω by parallel with about(- -).



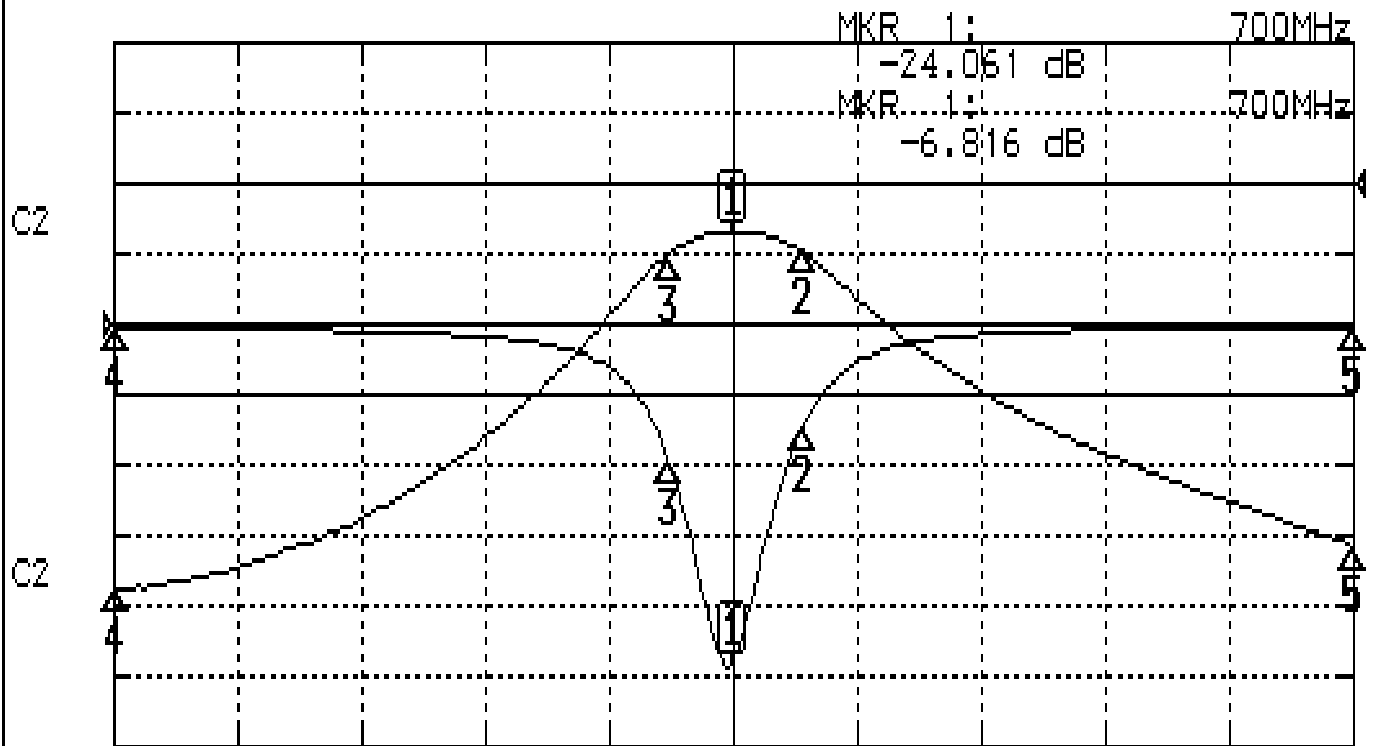
Approval C.Y.Chang	Supervisor C.K.Chang	Designer M.Y.Kang	Aperture size 5W3S(3.8*3.5)(3.58) 5HW024RB3
-----------------------	-------------------------	----------------------	---

TEMWELL CORPORATION

Performance-TTW31050B-700M

201711014CD

CH1 S11 LOG MAG REF 0.000 dB 5.000 dB/
CH2 S21 LOG MAG REF 0.000 dB 10.000 dB/



CENTER 700MHz

[10.00 dBm]

SPAN 100MHz

CH1 MARKER LIST

Marker	Frequency (MHz)	Magnitude (dB)
1	700.000	-24.086
2	705.666	-6.816
3	694.916	-9.867
4	650.000	-0.270
5	750.000	-0.221
6		
7		
8		
9		
10		

CH2 MARKER LIST

Marker	Frequency (MHz)	Magnitude (dB)
1	700.000	-6.816
2	705.666	-9.861
3	694.916	-9.830
4	650.000	-7.935
5	750.000	-1.275
6		
7		
8		
9		
10		