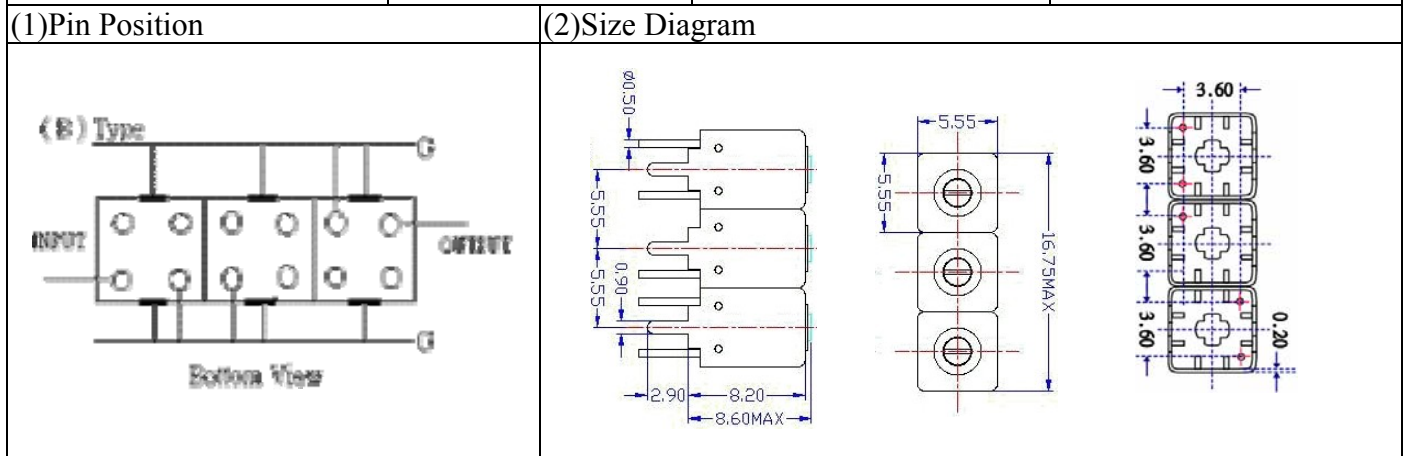


VHF UHF Helical Filter Specification Sheet

Customer Name		Temwell's Part No.	TTW31049B-460M
Approval No. /dated	201711013CD	Temwell's Print Name.	31049B 460M
Work Instruction No.	201711013CD	Date	Nov.24.2017



(3) Electric Character

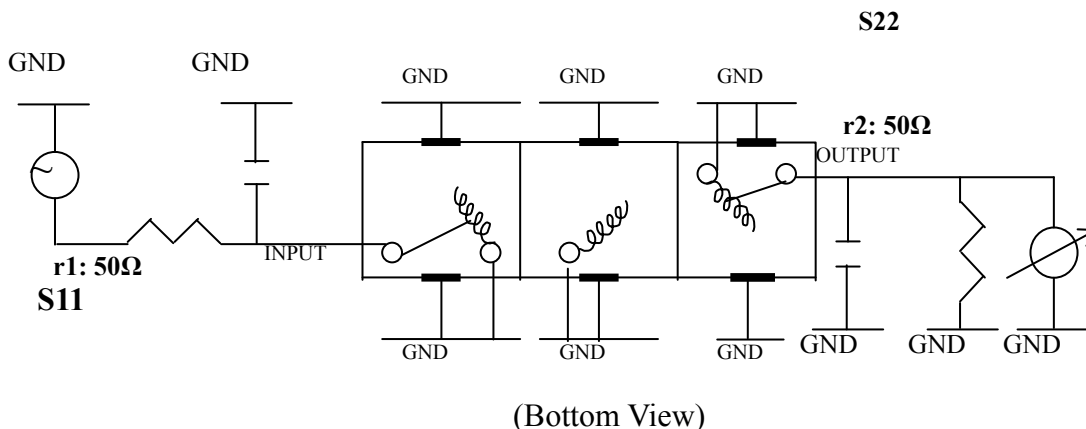
Item	Specify	Performance	
Center Freq.(Fo) +/- 0.5 %	460 MHz	460 MHz	
Insertion Loss	Typ. 10.5 dB	9.47 dB	
-3 dB Bandwidth	Typ. 2 MHz	5.7 MHz	
Sensitivity (Attenuation)	Fo - 50 MHz	Typ. 47 dBc	52 dBc
	Fo + 50MHz	Typ. 55 dBc	65 dBc
	Fo - ()MHz	Typ. dBc	dBc
	Fo +()MHz	Typ. dBc	dBc
Return Loss	Min. 12 dB	29.2 dB	
Ripple	< 1 dB	dB	
Impedance	In / Out : 50 Ω	In / Out : 50 Ω	
(4) Torque for Tuning Screw	> 60gf · cm		

(5) Temperature Condition:

Operating Temperature	0°C ~ +60°C
Storage Temperature	-20°C ~ +70°C

(6) Input Power

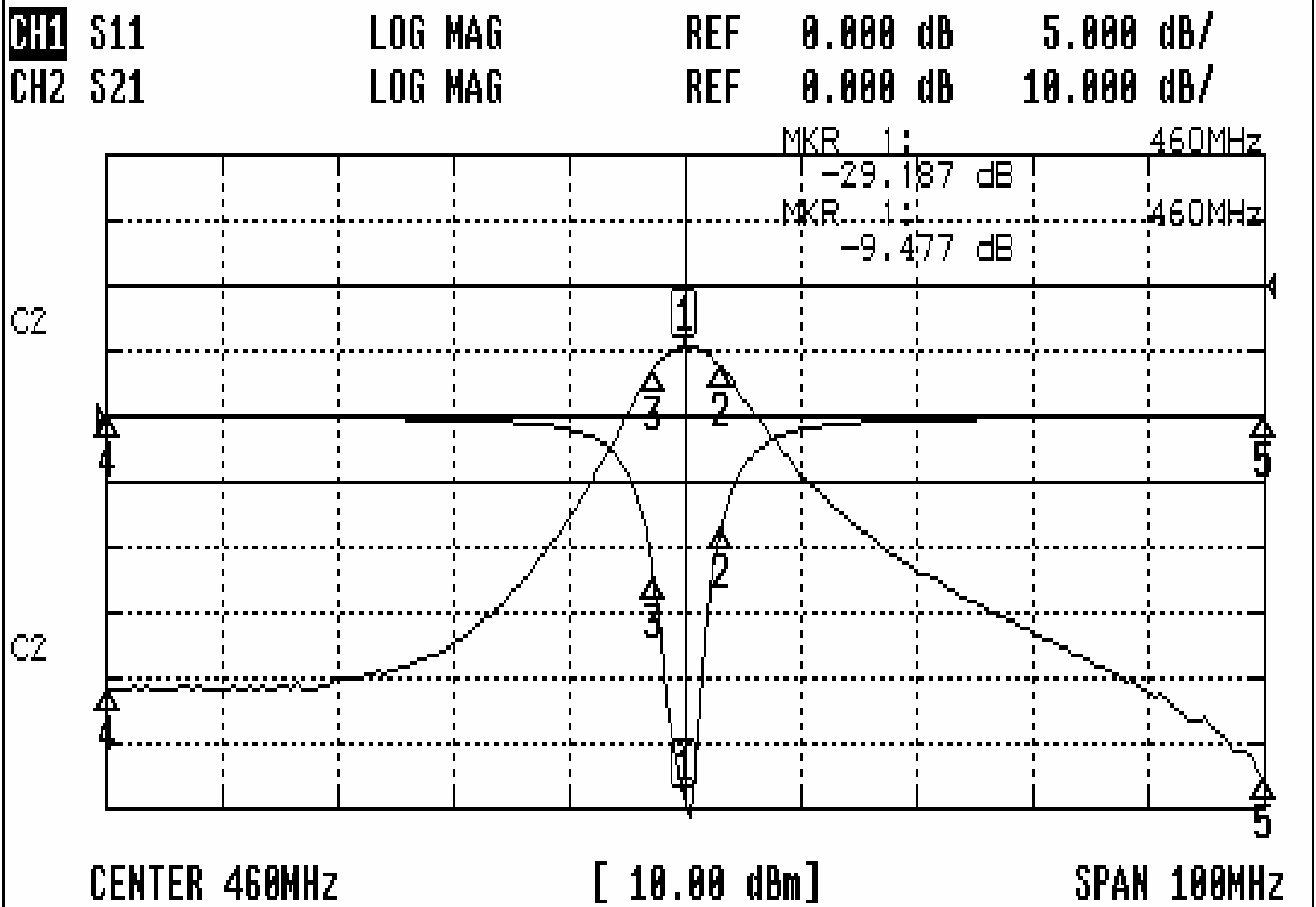
(7) Measuring Circuit: ※Easy to match Impedance S11/S22 50Ω by parallel with about (-)



Approval C.Y.Chang	Supervisor C.S.Chang	Designer C.H.Yeh	Aperture size 5W3S(3.8*3.5)(3.54) 5HW024RB3
-----------------------	-------------------------	---------------------	---

Performance-TTW31049B-460M

201711013CD



CH1 MARKER LIST

1:	460.000MHz	-29.212 dB
2:	463.150MHz	-8.678 dB
3:	457.400MHz	-12.484 dB
4:	410.000MHz	-0.017 dB
5:	510.000MHz	-0.005 dB
6:		
7:		
8:		
9:		
10:		

CH2 MARKER LIST

1:	460.000MHz	-9.477 dB
2:	463.150MHz	-12.486 dB
3:	457.400MHz	-12.429 dB
4:	410.000MHz	-61.691 dB
5:	510.000MHz	-75.305 dB
6:		
7:		
8:		
9:		
10:		