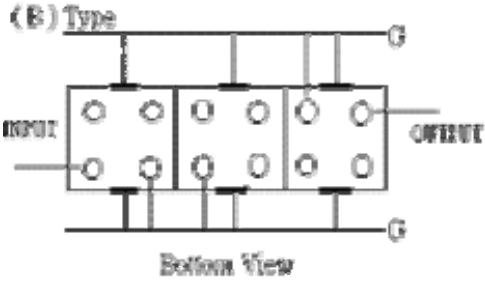
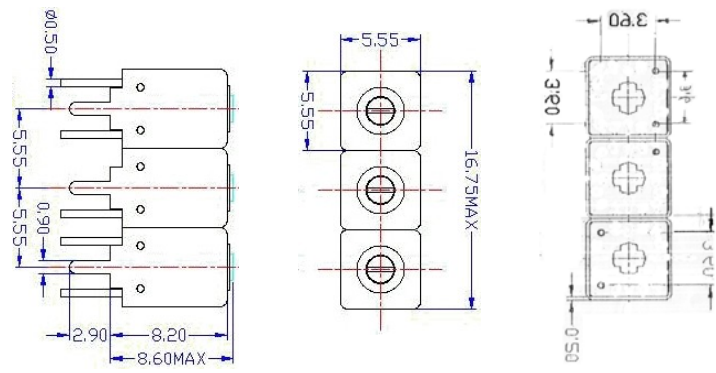


VHF UHF Helical Filter Specification Sheet

Customer Name		Temwell's Part No.	TTW31018B-2132.5M
Approval No. /dated		Temwell's Print Name.	31018B 2132.5M
Work Instruction No.	201608067CD	Date	Aug.25.2016

<p>(1) Pin Position</p>  <p style="text-align: center;">Bottom View</p>	<p>(2) Size Diagram</p> 
--	--

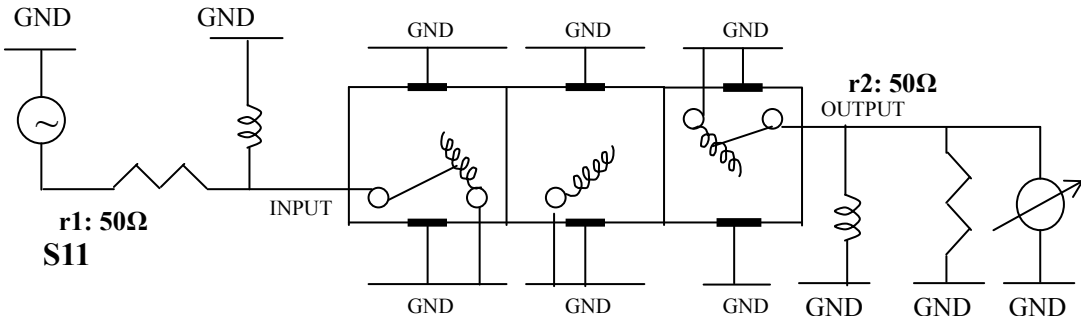
(3) Electric Character			
Item	Specify	Performance	
Center Freq.(Fo) +/- 0.5 %	2132.5 MHz	2132.5 MHz	
Insertion Loss	Typ. 3.0 dB	2.20 dB	
-3 dB Bandwidth	Typ. 95 MHz	105.2 MHz	
Sensitivity (Attenuation)	Fo - 200 MHz	Typ. 40 dBc	46 dBc
	Fo + 200 MHz	Typ. 28 dBc	32 dBc
	Fo - ()MHz	Typ. dBc	dBc
	Fo +()MHz	Typ. dBc	dBc
Return Loss	Min. 12 dB	17.9 dB	
Ripple	< 1 dB	dB	
Impedance	In / Out : 50 Ω	In / Out : 50 Ω	
(4) Torque for Tuning Screw			
		> 60gf · cm	

(5) Temperature Condition:	
Operating Temperature	0°C ~ +60°C
Storage Temperature	-20°C ~ +70°C

(6) Input Power	> 0.5Watt
-----------------	-----------

(7) Measuring Circuit: ※Easy to match Impedance S11/S22 50Ω by parallel with about(---)

S22



(Bottom View)

Approval	Supervisor	Designer	Aperture size
C.Y.Chang	C.K.Chang	P.H.Chiang	5W3S(3.8*4.5)(4.55) 5HW046RB3.2

TEMWELL CORPORATION

Performance-TTW31018B-2132.5M

201608067CD

