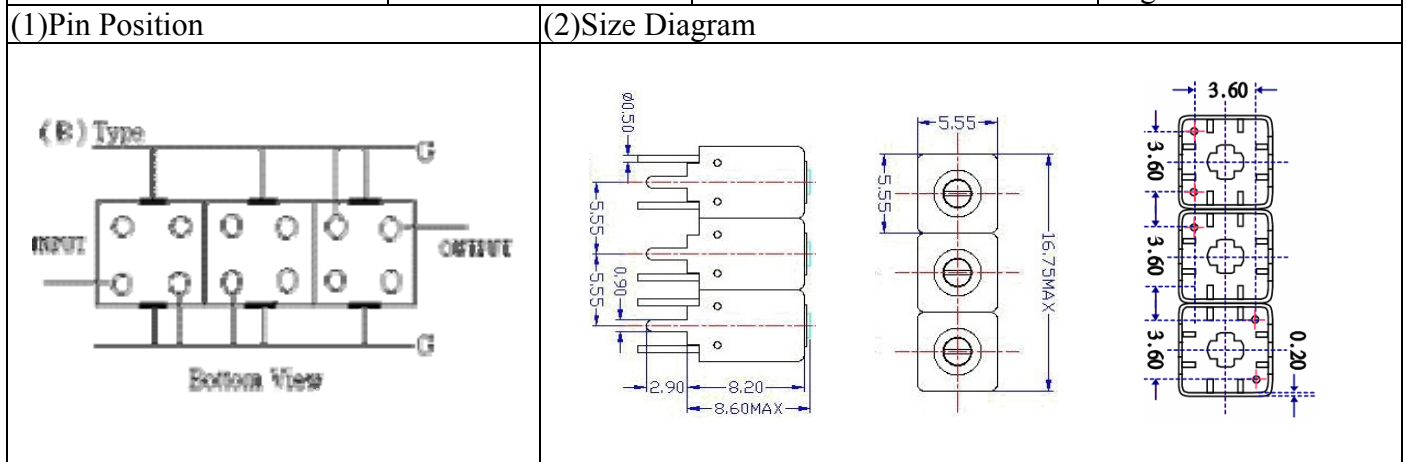


VHF UHF Helical Filter Specification Sheet

Customer Name		Temwell's Part No.	TTW31013B-2350M
Approval No. /dated		Temwell's Print Name.	31013B 2350M
Work Instruction No.	201608062CD	Date	Aug.24.2016



(3) Electric Character			
Item		Specify	Performance
Center Freq.(Fo) +/- 0.5 %		2350 MHz	2350 MHz
Insertion Loss		Typ. 3.5 dB	2.14 dB
-3 dB Bandwidth		Typ. 100 MHz	114.5 MHz
Sensitivity (Attenuation)	Fo - 200 MHz	Typ. 33 dBc	38 dBc
	Fo + 200 MHz	Typ. 23 dBc	26 dBc
	Fo - ()MHz	Typ. dBc	dBc
	Fo +()MHz	Typ. dBc	dBc
Return Loss		Min. 12 dB	33.6 dB
Ripple		< 1 dB	dB
Impedance		In / Out : 50 Ω	In / Out : 50 Ω

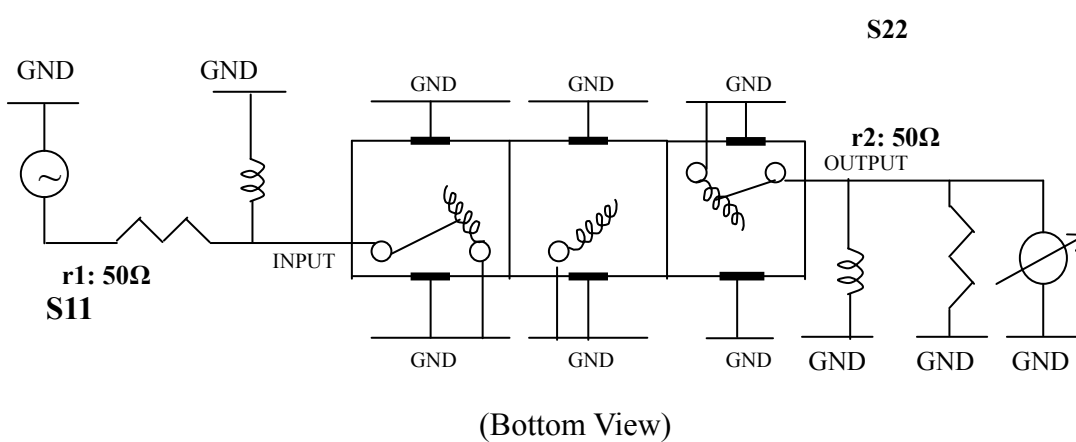
(4) Torque for Tuning Screw > 60gf · cm

(5) Temperature Condition:

Operating Temperature	0°C ~ +60°C
Storage Temperature	-20°C ~ +70°C

(6) Input Power > 0.5Watt

(7) Measuring Circuit: ※Easy to match Impedance S11/S22 50Ω by parallel with about(---)



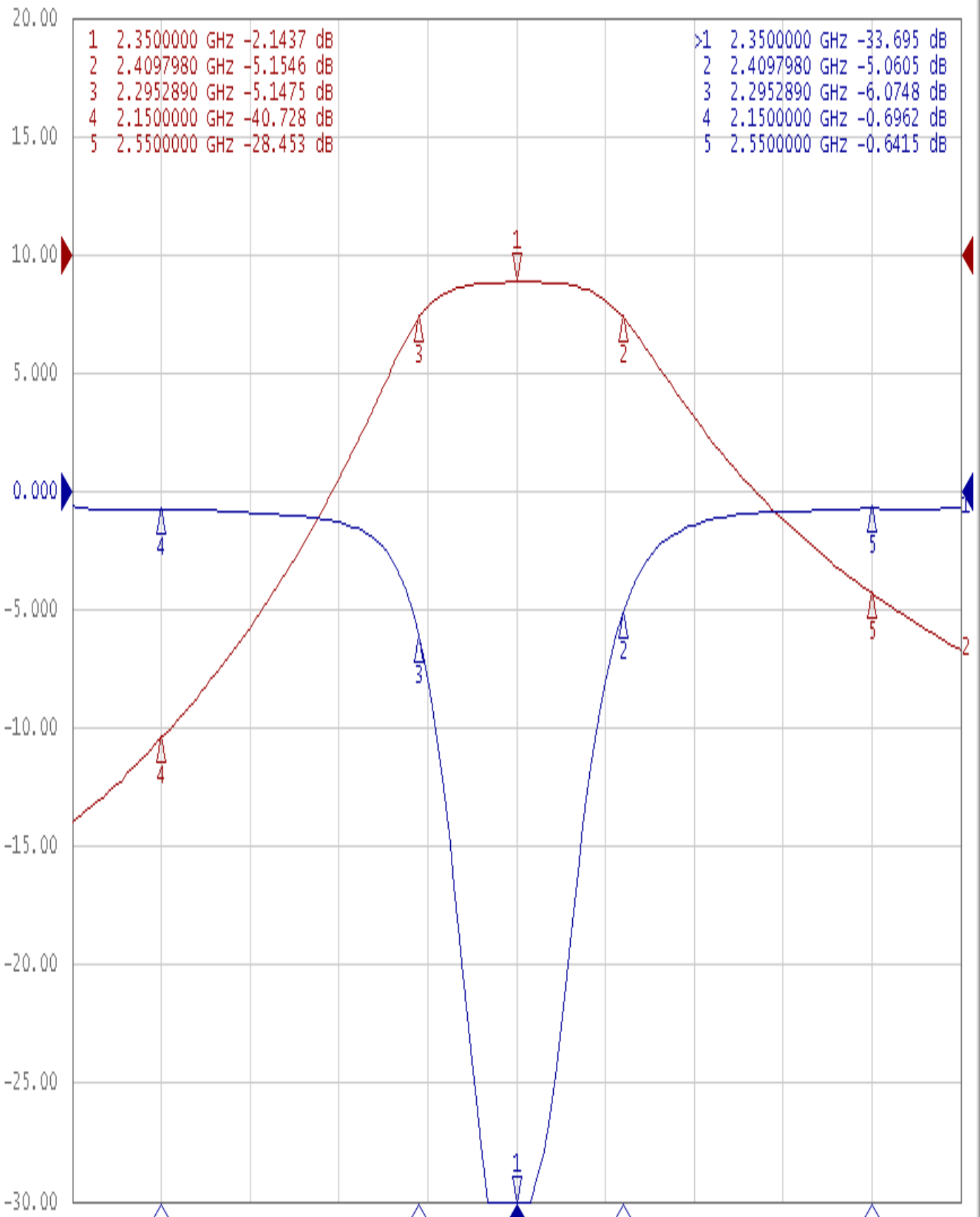
Approval	Supervisor	Designer	Aperture size
C.Y.Chang	C.K.Chang	C.S.Chang	5W3S(3.8*4.0)(4.05) 5HW046RB3.2 J1

TEMWELL CORPORATION

Performance-TTW31013B-2350M

201608062CD

Tr1 S11 Log Mag 5.000dB/ Ref 0.000dB [F2]
Tr2 S21 Log Mag 10.00dB/ Ref 0.000dB [F2]



1 Center 2.35 GHz

IFBW 10 kHz

Span 500 MHz Cor !