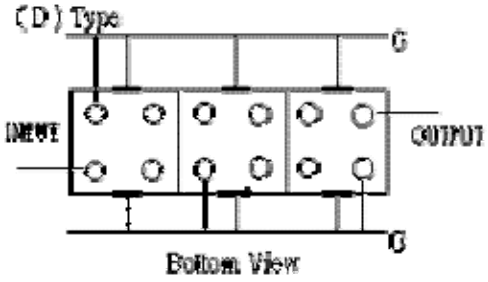
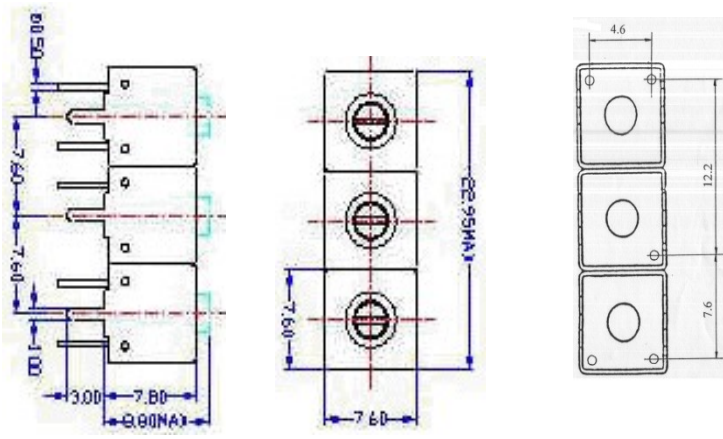


VHF UHF Helical Filter Specification Sheet

Customer Name		Temwell's Part No.	TTS-3145D-800M
Approval No. /dated	20108025B	Acceptable Specify Fo. Range	751~800MHz
Work Instruction No.	20108025B	Date	2001.08.15

<p>(1) Pin Position</p> 	<p>(2) Size Diagram</p> 
---	--

(3) Electric Character

Item	Specify	Performance	
Center Freq.(Fo) +/- 0.5 %	800 MHz	800 MHz	
Tunable Range	800±10 MHz	800±10 MHz	
Insertion Loss	Typ. 2.5 dB	1.8 dB	
-3 dB Bandwidth	Typ. 40 MHz	44 MHz	
Sensitivity (Attenuation)	Fo - 100 MHz	Typ. 36 dBc	39 dBc
	Fo + 100 MHz	Typ. 27 dBc	30 dBc
	Fo - ()MHz	Typ. dBc	dBc
	Fo +()MHz	Typ. dBc	dBc
Return Loss	Min. 12 dB	18.7 dB	
Ripple	< 1 dB	dB	
Impedance	In / Out : 50 Ω	In / Out : 50 Ω	

(4) Torque for Tuning Screw > 100gf · cm

(5) Temperature Condition:

Operating Temperature	0°C ~ +60°C
Storage Temperature	-20°C ~ +70°C

(6) Input Power > 1Watt

Approval	Supervisor	Designer	Aperture size
C.Y.Chang	C.S.Chang	C.S.Chang	7S3(4*4.5) 7S046LB6

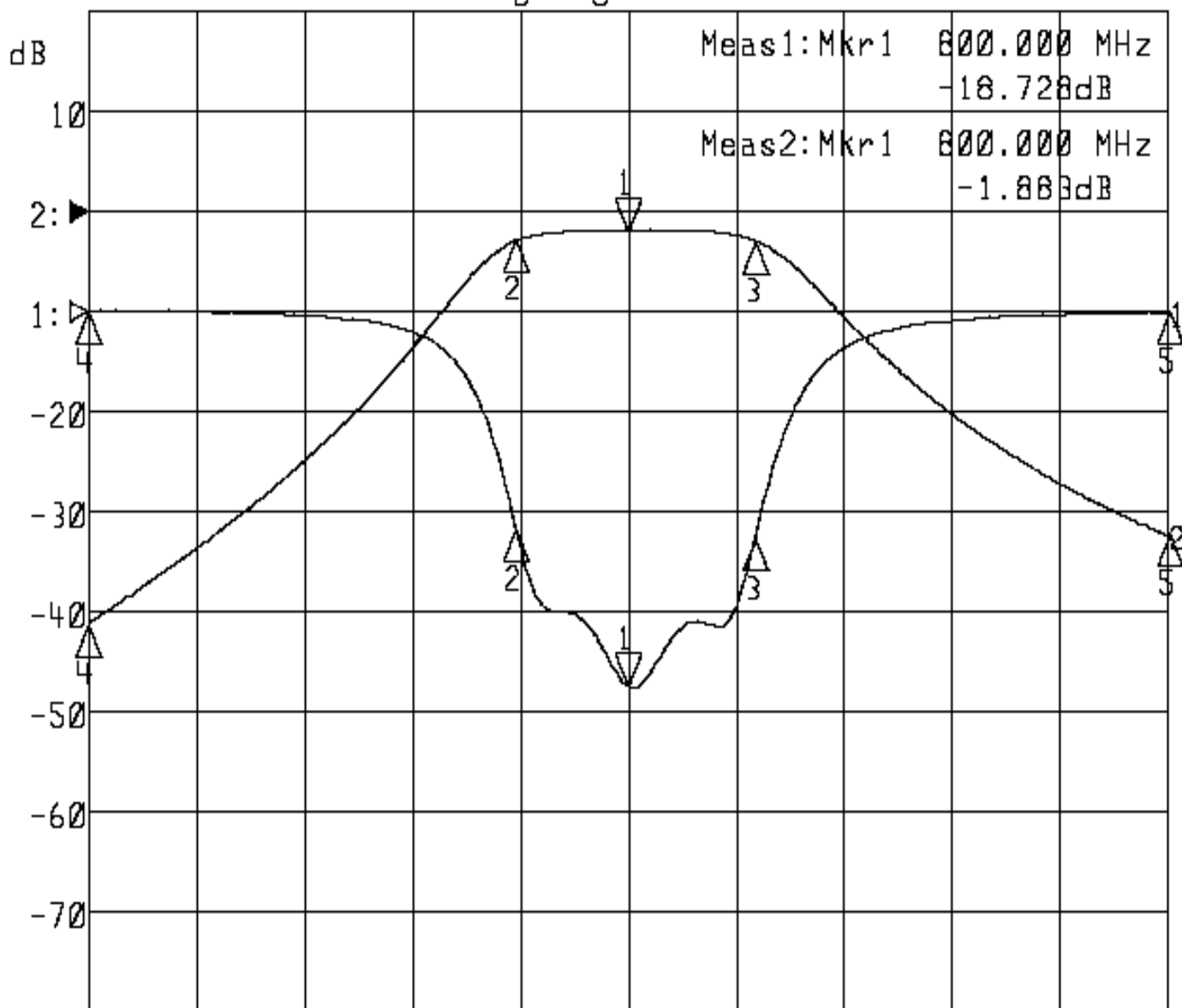
TEMWELL CORPORATION

Performance-TTS-3145D-800M

20108025B

▶1:S11 Refl Port1 Log Mag 5.0 dB/ Ref 0.00 dB C

▶2:S21 Fwd Trans Log Mag 10.0 dB/ Ref 0.00 dB C



Meas1:Mkr1 800.000 MHz
-18.728dB
Meas2:Mkr1 800.000 MHz
-1.883dB

Center 800.000 MHz

Span 200.000 MHz

1:Mkr (MHz)	dB	2:Mkr (MHz)	dB
1> 800.0000	-18.728	1> 800.0000	-1.883
2: 779.3333	-10.872	2: 779.3333	-2.845
3: 823.4667	-11.330	3: 823.4667	-2.878
4: 700.0000	0.045	4: 700.0000	-41.130
5: 900.0000	-0.036	5: 900.0000	-32.368