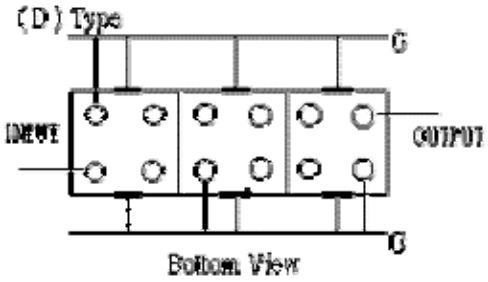
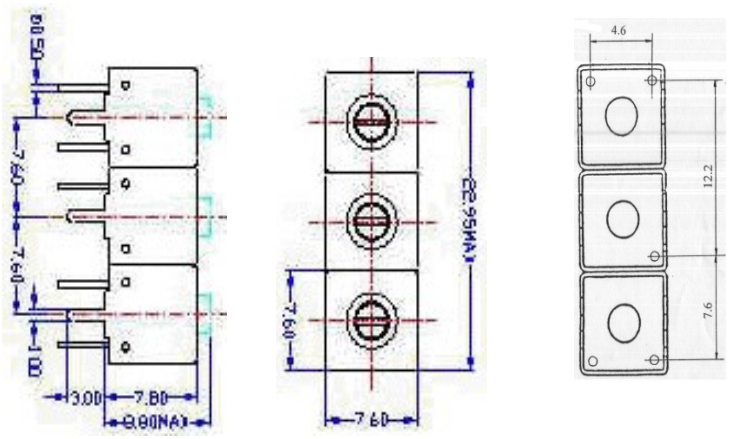


VHF UHF Helical Filter Specification Sheet

Customer Name		Temwell's Part No.	TTS3143D-777.5M
Approval No. /dated	20103099DB	Acceptable Specify Fo. Range	751~800MHz
Work Instruction No.	20103099DB	Date	2001.04.18

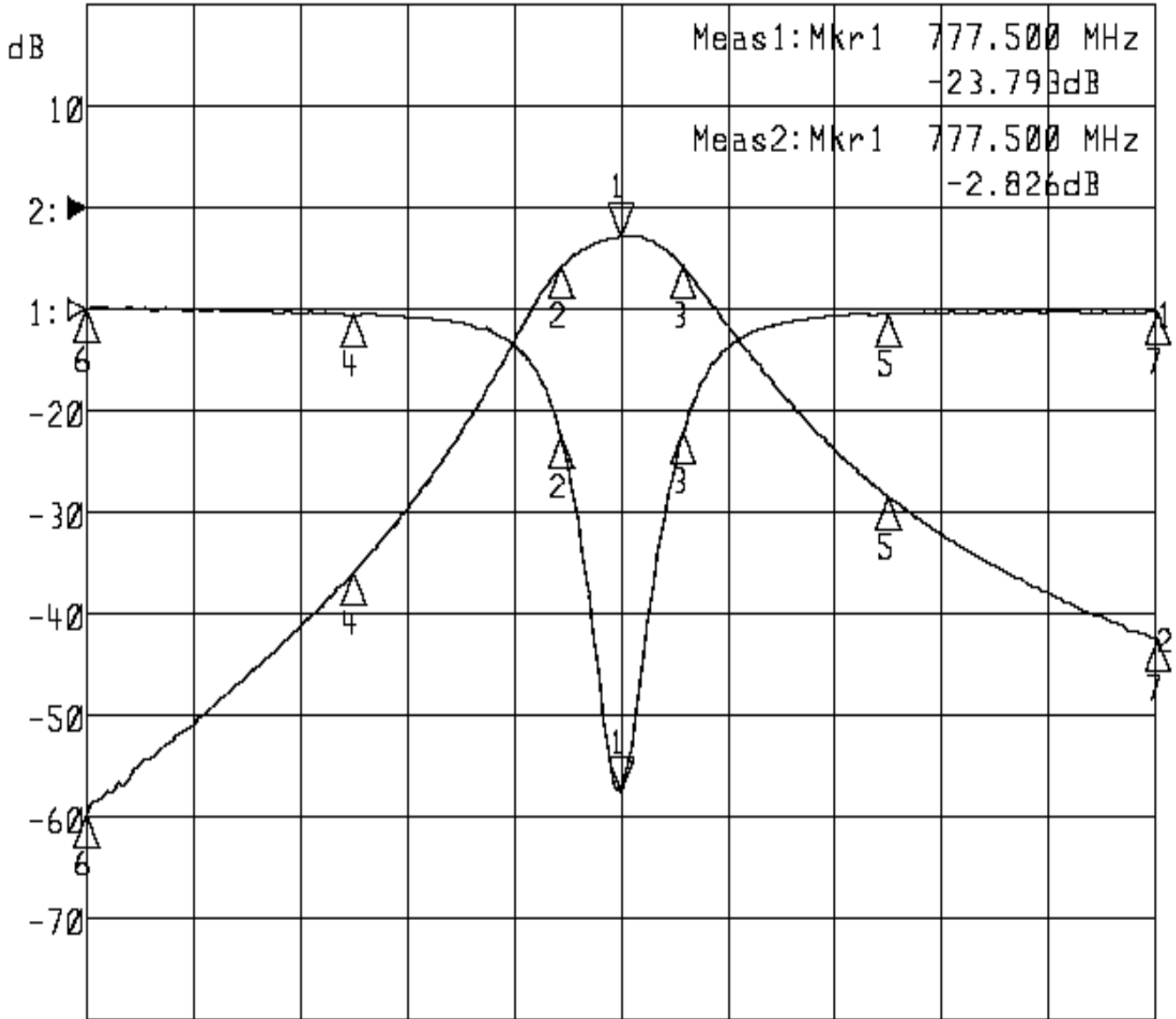
<p>(1) Pin Position</p>  <p style="text-align: center;">Bottom View</p>	<p>(2) Size Diagram</p> 
--	--

(3) Electric Character			
Item		Specify	Performance
Center Freq.(Fo) +/- 0.5 %		777.5 MHz	777.5 MHz
Tunable Range		777.5±5 MHz	777.5±5 MHz
Insertion Loss		Typ. 3.5 dB	2.8 dB
-3 dB Bandwidth		Typ. 20 MHz	23 MHz
Sensitivity (Attenuation)	Fo - 50 MHz	Typ. 30 dBc	33 dBc
	Fo + 50 MHz	Typ. 22 dBc	25 dBc
	Fo - ()MHz	Typ. dBc	dBc
	Fo +()MHz	Typ. dBc	dBc
Return Loss		Min. 12 dB	23.7 dB
Ripple		< 1 dB	dB
Impedance		In / Out : 50 Ω	In / Out : 50 Ω
(4) Torque for Tuning Screw		> 100gf · cm	
(5) Temperature Condition:			
Operating Temperature		0°C ~ +60°C	
Storage Temperature		-20°C ~ +70°C	
(6) Input Power		> 1Watt	
Approval	Supervisor	Designer	Aperture size
C.Y.Chang	C.S.Chang	C.S.Chang	7S3S (4*5.2) 7S046LB4
TEMWELL CORPORATION			

Performance-TTS3143D-777.5M

20103099DB

►1:S11 Refl Port1 Log Mag 5.0 dB/ Ref 0.00 dB C
►2:S21 Fwd Trans Log Mag 10.0 dB/ Ref 0.00 dB C



Center 777.500 MHz

Span 200.000 MHz

1: Mkr (MHz)	dB	2: Mkr (MHz)	dB
1> 777.5000	-23.793	1> 777.5000	-2.826
2: 766.3667	-6.205	2: 766.3667	-5.860
3: 789.2333	-6.035	3: 789.2333	-5.839
4: 727.5000	-0.241	4: 727.5000	-35.962
5: 827.5000	-0.250	5: 827.5000	-28.420
6: 677.5000	0.009	6: 677.5000	-59.869
7: 877.5000	-0.167	7: 877.5000	-42.400