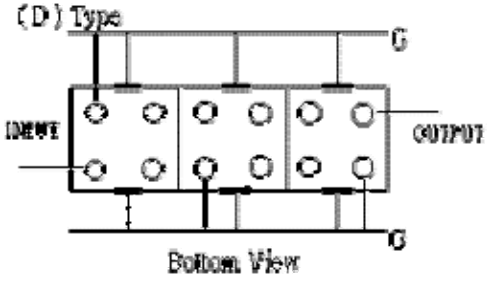
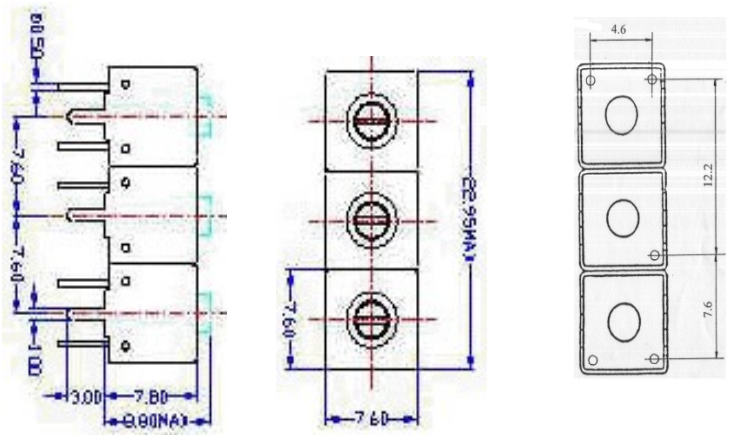


# VHF UHF Helical Filter Specification Sheet

Customer Name		Temwell's Part No.	TTS3114D-650M
Approval No. /dated	20110059B	Acceptable Specify Fo. Range	641~660MHz
Work Instruction No.	20110059B	Date	2001.10.18

<p>(1) Pin Position</p>  <p style="text-align: center;">Bottom View</p>	<p>(2) Size Diagram</p> 
--	--

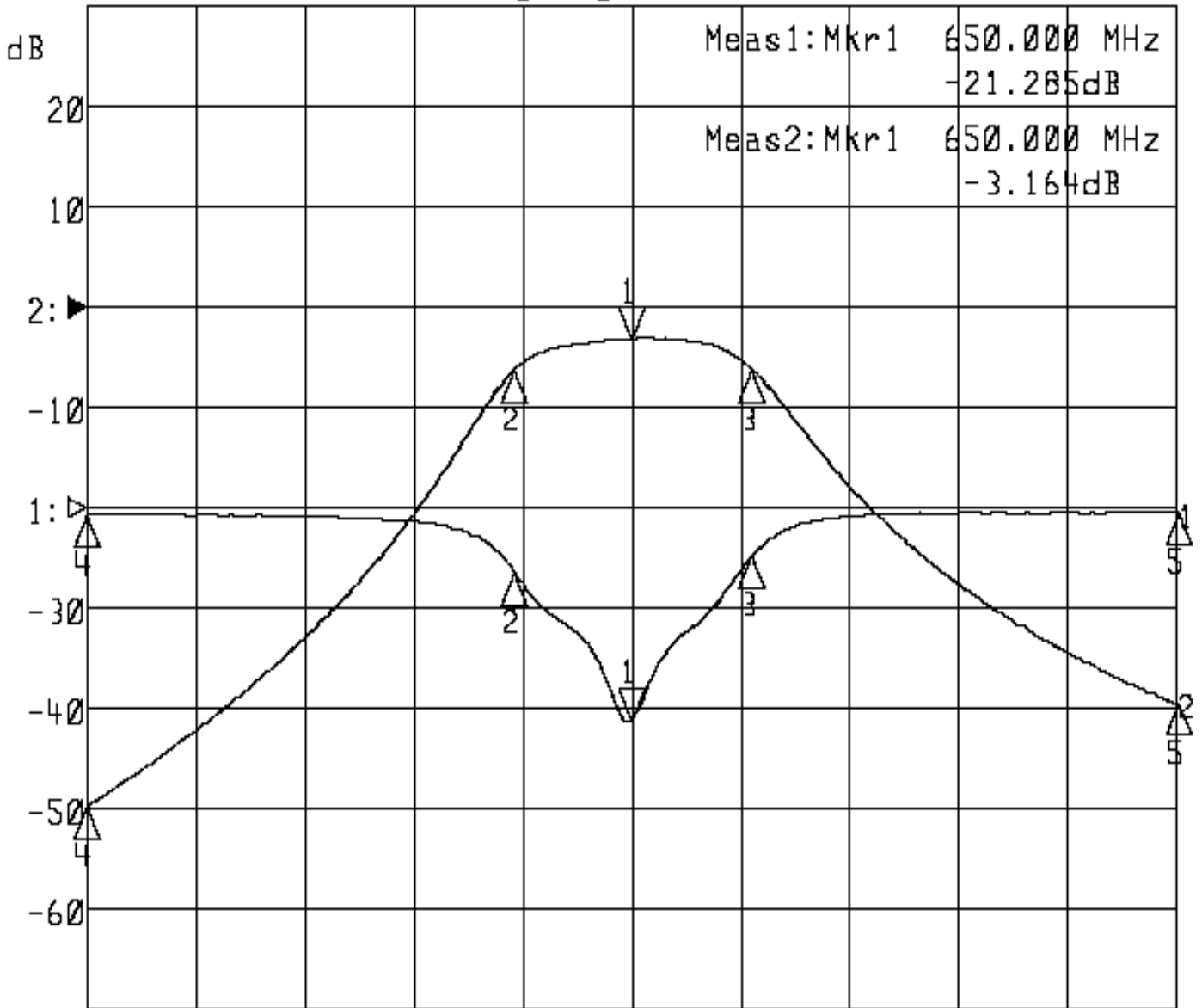
(3) Electric Character			
Item		Specify	Performance
Center Freq.(Fo ) +/- 0.5 %		650 MHz	650 MHz
Tunable Range		650±5 MHz	650±5 MHz
Insertion Loss		Typ. 4.0 dB	3.1 dB
-3 dB Bandwidth		Typ. 18 MHz	21 MHz
Sensitivity (Attenuation)	Fo - 50 MHz	Typ. 43 dBc	46 dBc
	Fo + 50 MHz	Typ. 33 dBc	36 dBc
	Fo - ( )MHz	Typ. dBc	dBc
	Fo +( )MHz	Typ. dBc	dBc
Return Loss		Min. 12 dB	21.2 dB
Ripple		< 1 dB	dB
Impedance		In / Out : 50 Ω	In / Out : 50 Ω
(4) Torque for Tuning Screw		> 100gf · cm	
(5) Temperature Condition:			
Operating Temperature		0°C ~ +60°C	
Storage Temperature		-20°C ~ +70°C	
(6) Input Power		> 1Watt	
Approval	Supervisor	Designer	Aperture size
C.Y.Chang	C.S.Chang	C.S.Chang	7S3S(4*5.2) 7S046LB4

TEMWELL CORPORATION

# Performance- TTS3114D-650M

## 20110059B

▶1:S11 Refl Port1 Log Mag 10.0 dB/ Ref 0.00 dB C  
▶2:S21 Fwd Trans Log Mag 10.0 dB/ Ref 0.00 dB C



Center 650.000 MHz

Span 100.000 MHz

1:Mkr (MHz)	dB	2:Mkr (MHz)	dB
1> 650.0000	-21.285	1> 650.0000	-3.164
2: 639.3000	-6.412	2: 639.3000	-6.191
3: 661.0667	-4.770	3: 661.0667	-6.146
4: 600.0000	-0.676	4: 600.0000	-49.803
5: 700.0000	-0.527	5: 700.0000	-39.564