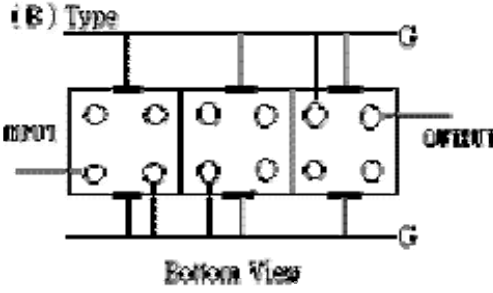
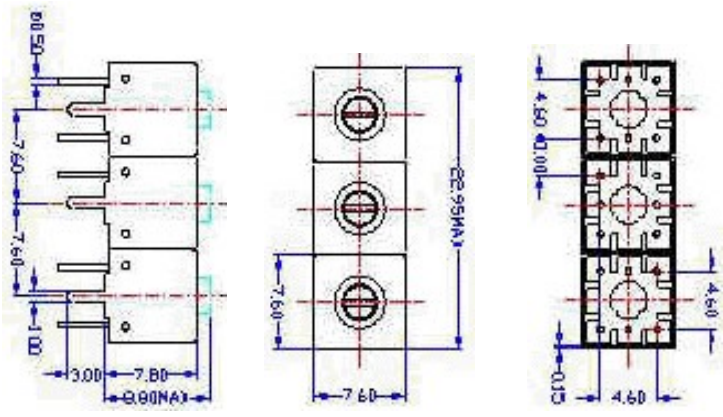


# VHF UHF Helical Filter Specification Sheet

Customer Name		Temwell's Part No.	TTS3074B-485M
Approval No. /dated	20103004DC	Acceptable Specify Fo. Range	456515MHz
Work Instruction No.	20103004DC	Date	2001.03.19

<p>(1) Pin Position</p>  <p style="text-align: center;">Bottom View</p>	<p>(2) Size Diagram</p> 
--	--

(3) Electric Character

Item	Specify	Performance	
Center Freq.(Fo ) +/- 0.5 %	485 MHz	485 MHz	
Tunable Range	485±5 MHz	485±5 MHz	
Insertion Loss	Typ. 4.5 dB	3.5 dB	
-3 dB Bandwidth	Typ. 17 MHz	20 MHz	
Sensitivity (Attenuation)	Fo - 30 MHz	Typ. 19 dBc	22 dBc
	Fo + 30 MHz	Typ. 15 dBc	18 dBc
	Fo - ( )MHz	Typ. dBc	dBc
	Fo +( )MHz	Typ. dBc	dBc
Return Loss	Min. 12 dB	19.9 dB	
Ripple	< 1 dB	dB	
Impedance	In / Out : 50 Ω	In / Out : 50 Ω	

(4) Torque for Tuning Screw > 100gf • cm

(5) Temperature Condition:

Operating Temperature	0°C ~ +60°C
Storage Temperature	-20°C ~ +70°C

(6) Input Power > 1Watt

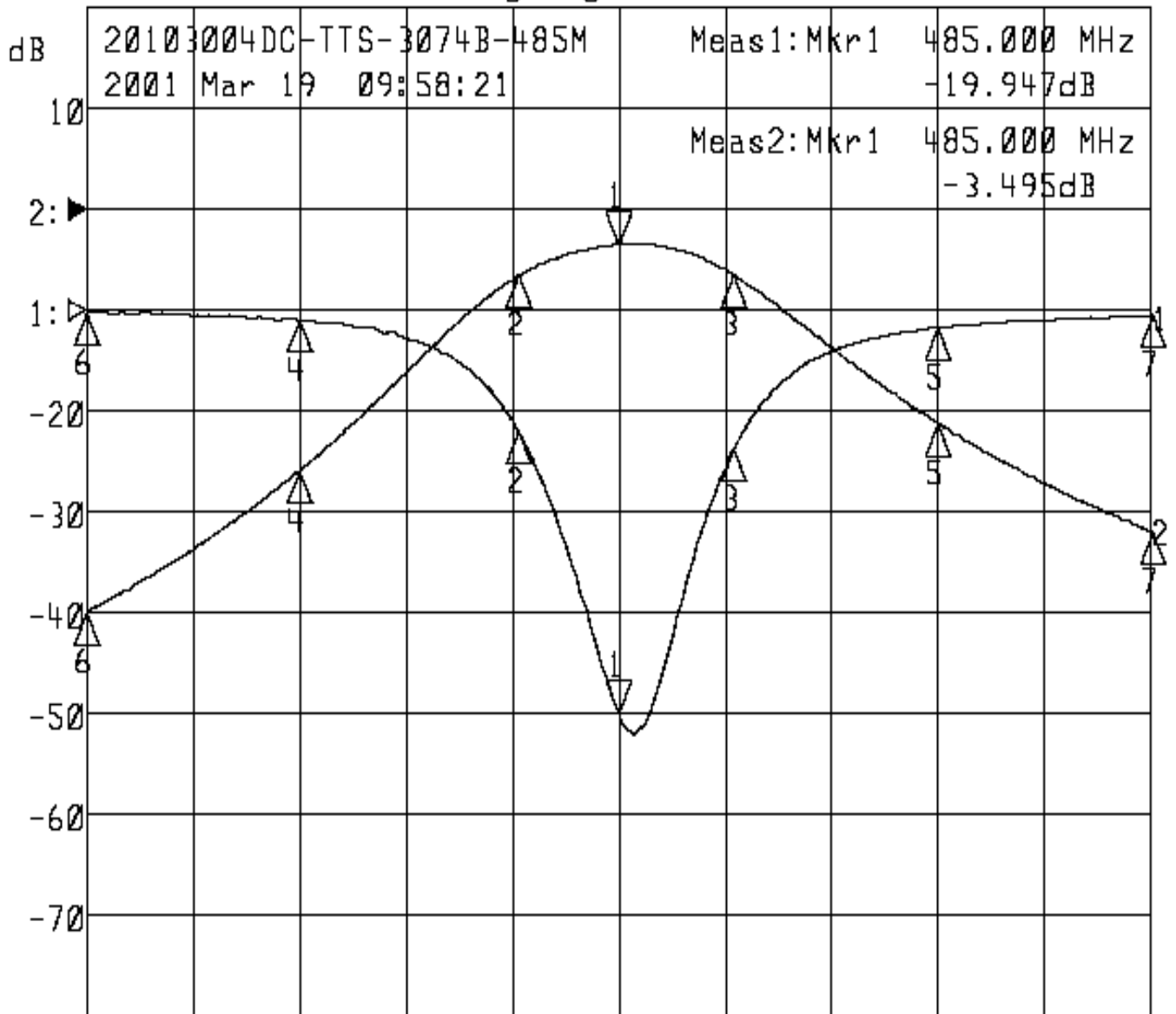
Approval	Supervisor	Designer	Aperture size
C.Y.Chang	C.S.Chang	C.S.Chang	7S3S (4*3.5) 7S024RB6

TEMWELL CORPORATION

# Performance-TTS3074B-485M

## 20103004DC

▶1:S11 Refl Port1 Log Mag 5.0 dB/ Ref 0.00 dB C  
 ▶2:S21 Fwd Trans Log Mag 10.0 dB/ Ref 0.00 dB C



Center 485.000 MHz

Span 100.000 MHz

1:Mkr (MHz)	dB	2:Mkr (MHz)	dB
1> 485.0000	-19.947	1> 485.0000	-3.495
2: 475.5333	-5.943	2: 475.5333	-6.606
3: 495.8000	-6.923	3: 495.8000	-6.479
4: 455.0000	-0.554	4: 455.0000	-25.944
5: 515.0000	-0.888	5: 515.0000	-21.194
6: 435.0000	-0.121	6: 435.0000	-39.920
7: 535.0000	-0.299	7: 535.0000	-31.950