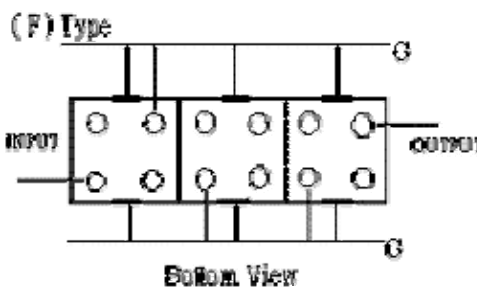
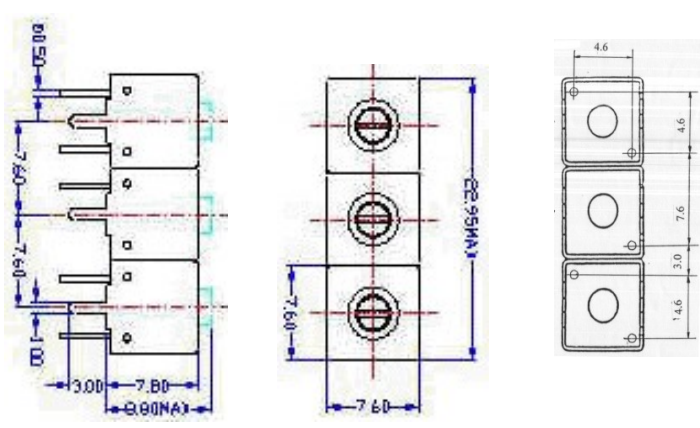


VHF UHF Helical Filter Specification Sheet

Customer Name		Temwell's Part No.	TTS3064F-434M
Approval No. /dated	20103057DC	Acceptable Specify Fo. Range	401~455MHz
Work Instruction No.	20103057DC	Date	2001.04.16

<p>(1) Pin Position</p>  <p style="text-align: center;">Bottom View</p>	<p>(2) Size Diagram</p> 
--	--

(3) Electric Character

Item	Specify	Performance	
Center Freq.(Fo) +/- 0.5 %	434 MHz	434 MHz	
Tunable Range	434±5 MHz	434±5 MHz	
Insertion Loss	Typ. 3.0 dB	1.9 dB	
-3 dB Bandwidth	Typ. 42 MHz	46 MHz	
Sensitivity (Attenuation)	Fo - 100 MHz	Typ. 35 dBc	38 dBc
	Fo + 100 MHz	Typ. 40 dBc	43 dBc
	Fo - ()MHz	Typ. dBc	dBc
	Fo +()MHz	Typ. dBc	dBc
Return Loss	Min. 12 dB	18.4 dB	
Ripple	< 1 dB	dB	
Impedance	In / Out : 50 Ω	In / Out : 50 Ω	

(4) Torque for Tuning Screw > 100gf · cm

(5) Temperature Condition:

Operating Temperature	0°C ~ +60°C
Storage Temperature	-20°C ~ +70°C

(6) Input Power > 1Watt

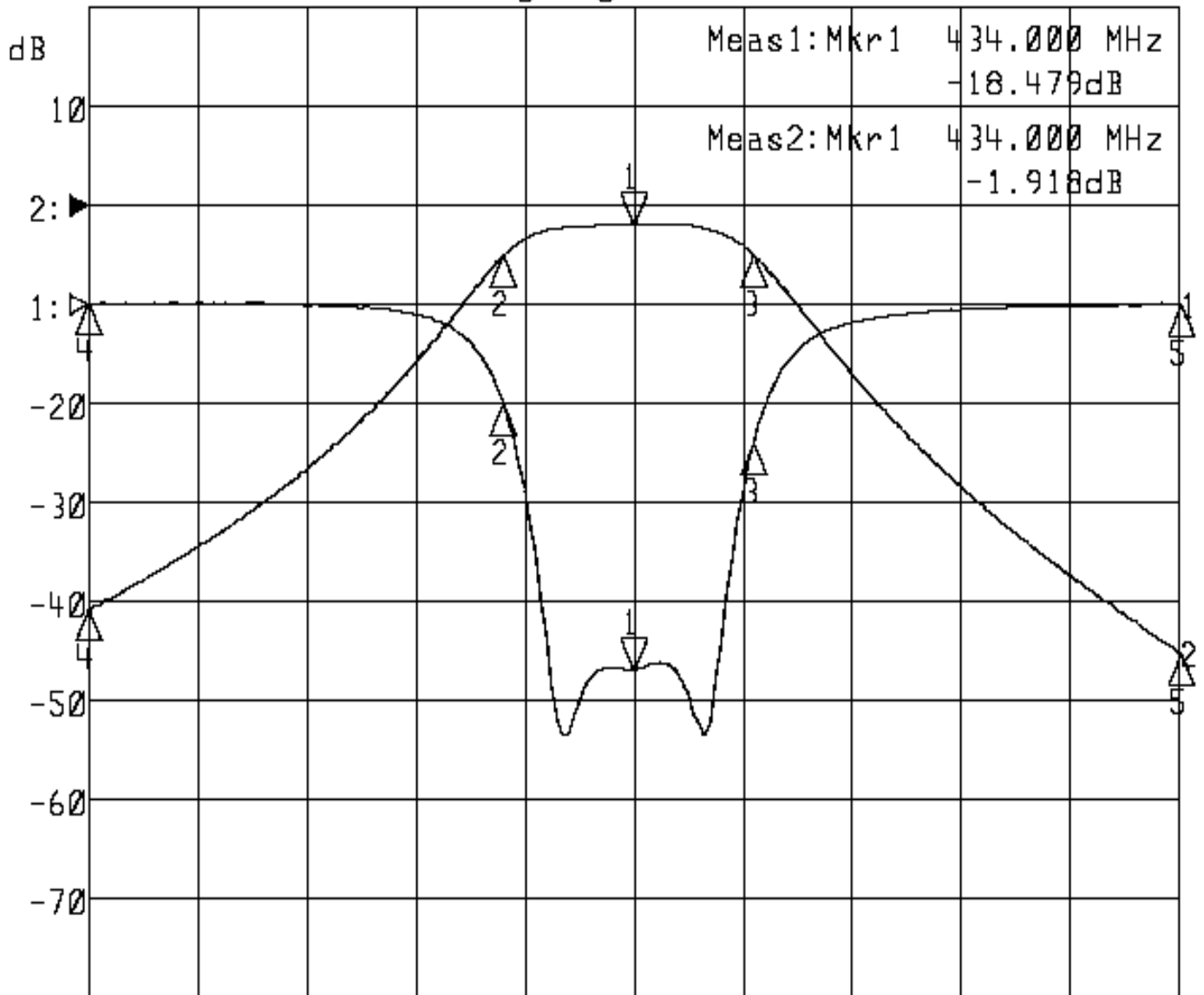
Approval	Supervisor	Designer	Aperture size
C.Y.Chang	C.S.Chang	C.S.Chang	7S3S (4*5.2) 7S024RB5.5

TEMWELL CORPORATION

Performance-TTS3064F-434M

20103057DC

▶1:S11 Refl Port1 Log Mag 5.0 dB/ Ref 0.00 dB C
▶2:S21 Fwd Trans Log Mag 10.0 dB/ Ref 0.00 dB C



Center 434.000 MHz

Span 200.000 MHz

1: Mkr (MHz)	dB	2: Mkr (MHz)	dB
1> 434.0000	-18.479	1> 434.0000	-1.918
2: 410.0667	-4.947	2: 410.0667	-5.040
3: 456.0000	-6.952	3: 456.0000	-4.933
4: 334.0000	0.111	4: 334.0000	-40.838
5: 534.0000	0.029	5: 534.0000	-45.148