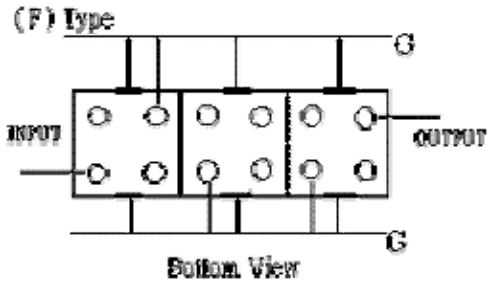
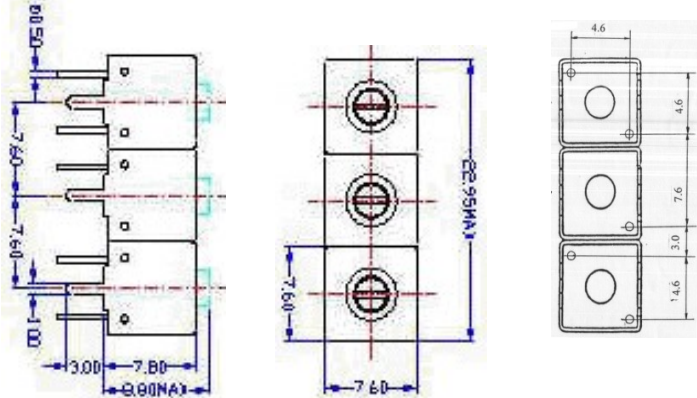


VHF UHF Helical Filter Specification Sheet

Customer Name		Temwell's Part No.	TTS3057F-375M
Approval No. /dated	20103087DC	Acceptable Specify Fo. Range	356~400MHz
Work Instruction No.	20103087DC	Date	2001/04/11

(1)Pin Position	(2)Size Diagram
 <p>(F) Type Bottom View</p>	

(3)Electric Character

Item	Specify	Performance	
Center Freq.(Fo) +/- 0.5 %	375 MHz	375 MHz	
Tunable Range	375±5 MHz	375±5 MHz	
Insertion Loss	Typ. 2.5 dB	1.4 dB	
-3 dB Bandwidth	Typ. 33 MHz	37 MHz	
Sensitivity (Attenuation)	Fo - 100 MHz	Typ. 41 dBc	44 dBc
	Fo + 100 MHz	Typ. 39 dBc	42 dBc
	Fo - ()MHz	Typ. dBc	dBc
	Fo +()MHz	Typ. dBc	dBc
Return Loss	Min. 12 dB	37.3 dB	
Ripple	< 1 dB	dB	
Impedance	In / Out : 50 Ω	In / Out : 50 Ω	
(4)Torque for Tuning Screw	> 100gf · cm		

(5)Temperature Condition:

Operating Temperature	0°C ~ +60°C
Storage Temperature	-20°C ~ +70°C

(6)Input Power

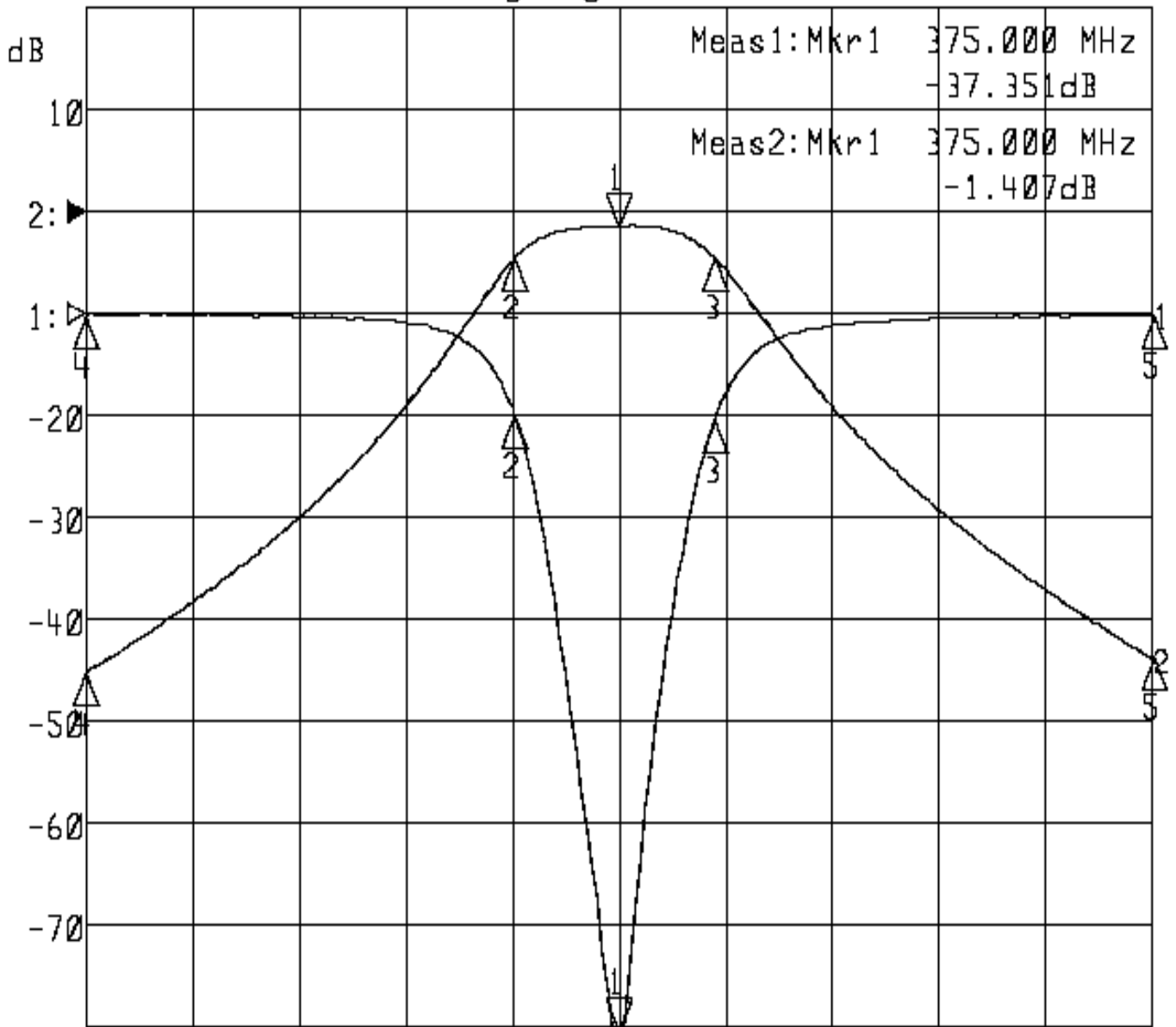
		> 1Watt	
Approval	Supervisor	Designer	Aperture size
C.Y.Chang	C.S.Chang	C.S.Chang	7S3(4*5.2) 7S024RB5.5

TEMWELL CORPORATION

Performance-TTS3057F-375M

20103087DC

▶1:S11 Refl Port1 Log Mag 5.0 dB/ Ref 0.00 dB C
▶2:S21 Fwd Trans Log Mag 10.0 dB/ Ref 0.00 dB C



Center 375.000 MHz

Span 200.000 MHz

1:Mkr (MHz)	dB	2:Mkr (MHz)	dB
1> 375.0000	-37.351	1> 375.0000	-1.407
2: 355.6000	-5.053	2: 355.6000	-4.467
3: 392.8000	-5.294	3: 392.8000	-4.422
4: 275.0000	-0.064	4: 275.0000	-45.333
5: 475.0000	-0.118	5: 475.0000	-43.860