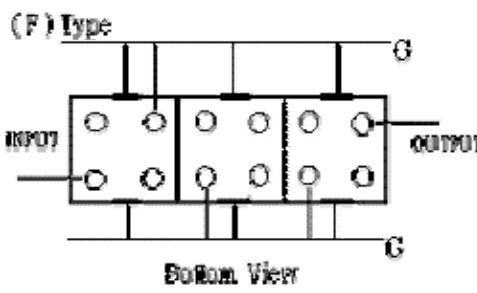
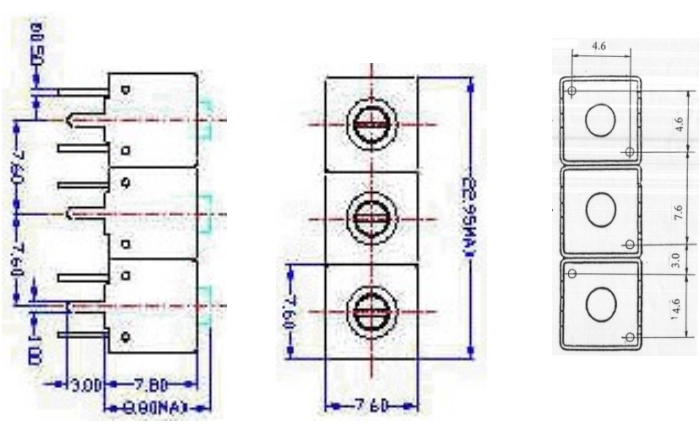


# VHF UHF Helical Filter Specification Sheet

Customer Name		Temwell's Part No.	TTS-3056F-375M
Approval No. /dated	20103086DC	Acceptable Specify Fo. Range	356~400MHz
Work Instruction No.	20103086DC	Date	90/04/06

<p>(1) Pin Position</p>  <p style="text-align: center;">Bottom View</p>	<p>(2) Size Diagram</p> 
--	--

(3) Electric Character			
Item	Specify	Performance	
Center Freq.(Fo) +/- 0.5 %	375 MHz	375 MHz	
Tunable Range	375±5 MHz	375±5 MHz	
Insertion Loss	Typ. 5.5 dB	4.5 dB	
-3 dB Bandwidth	Typ. 29 MHz	33 MHz	
Sensitivity (Attenuation)	Fo - 100 MHz	Typ. 40 dBc	43 dBc
	Fo + 100 MHz	Typ. 47 dBc	50 dBc
	Fo - ( )MHz	Typ. dBc	dBc
	Fo +( )MHz	Typ. dBc	dBc
Return Loss	Min. 12 dB	24.9 dB	
Ripple	< 1 dB	dB	
Impedance	In / Out : 50 Ω	In / Out : 50 Ω	
(4) Torque for Tuning Screw		> 100gf · cm	
(5) Temperature Condition:			
Operating Temperature		0°C ~ +60°C	
Storage Temperature		-20°C ~ +70°C	
(6) Input Power		> 1Watt	
Approval	Supervisor	Designer	Aperture size
C.Y.Chang	C.S.Chang	C.S.Chang	7S3(4*4.5) 7S024RB5.5

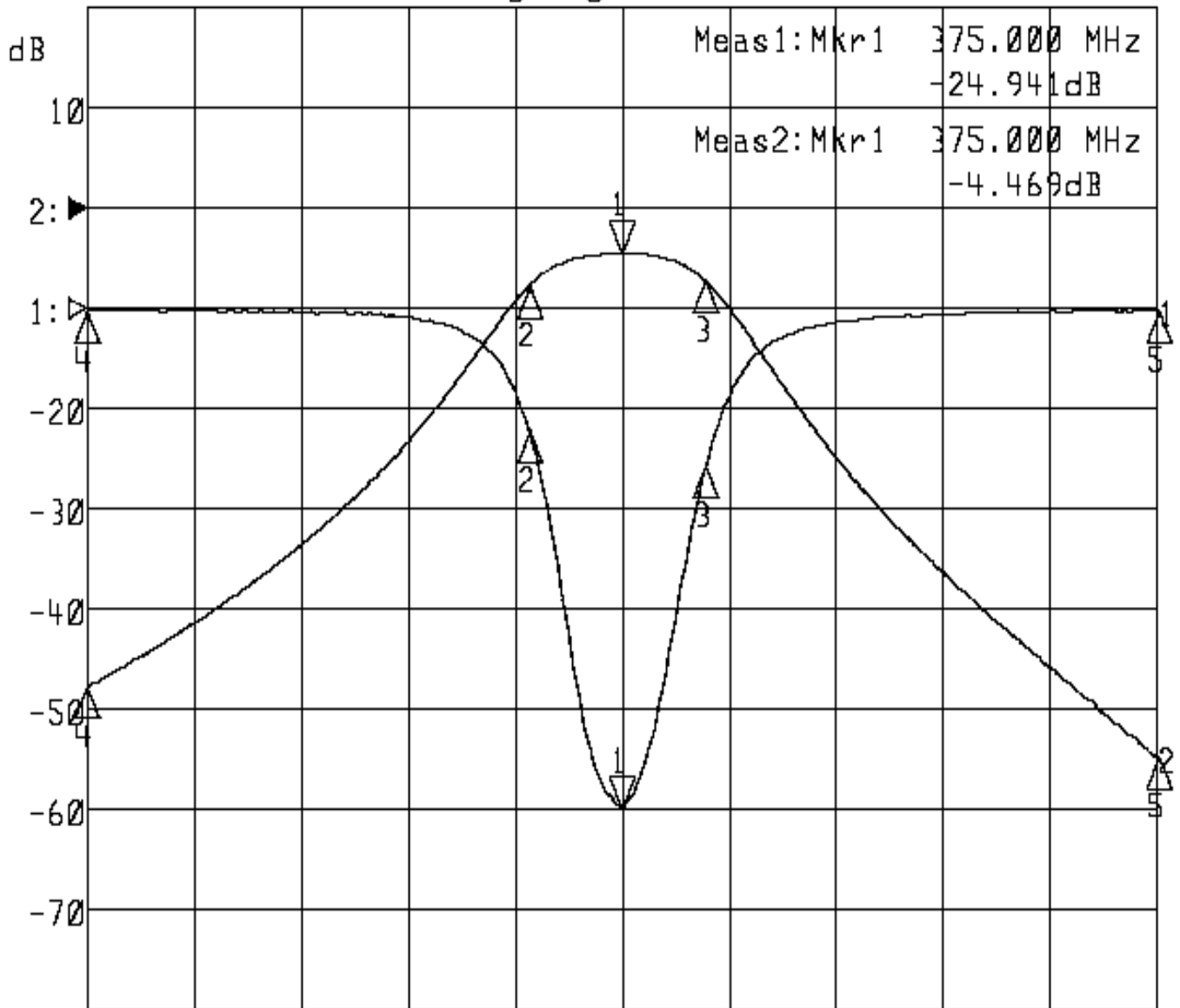
TEMWELL CORPORATION

# Performance-TTS-3056F-375M

## 20103086DC

▶1:S11 Refl Port1 Log Mag 5.0 dB/ Ref 0.00 dB C

▶2:S21 Fwd Trans Log Mag 10.0 dB/ Ref 0.00 dB C



Center 375.000 MHz

Span 200.000 MHz

1: Mkr (MHz)	dB	2: Mkr (MHz)	dB
1> 375.0000	-24.941	1> 375.0000	-4.469
2: 357.6667	-6.100	2: 357.6667	-7.702
3: 390.6667	-7.893	3: 390.6667	-7.282
4: 275.0000	-0.098	4: 275.0000	-47.867
5: 475.0000	-0.132	5: 475.0000	-54.850