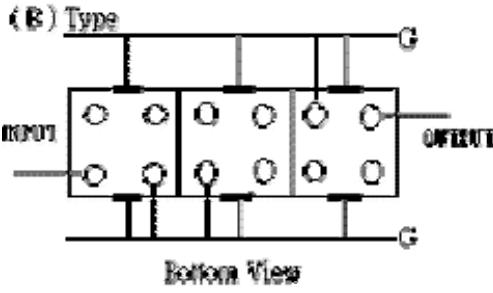
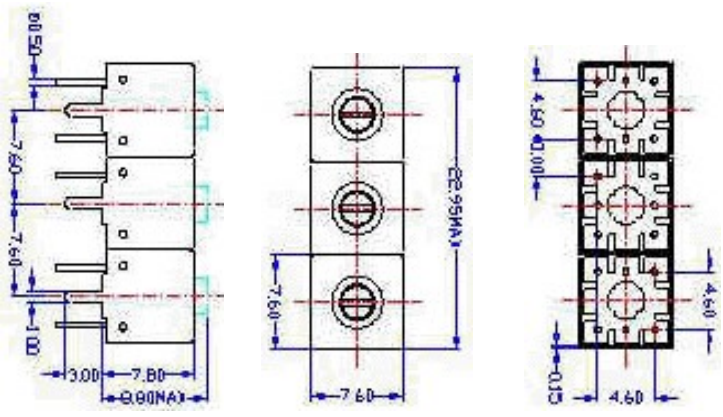


# VHF UHF Helical Filter Specification Sheet

Customer Name		Temwell's Part No.	TTS3044B-338M
Approval No. /dated	20211024B	Acceptable Specify Fo. Range	311~355MHz
Work Instruction No.	20211024B	Date	2001.11.22

(1)Pin Position	(2)Size Diagram
 <p style="text-align: center;">(B) Type Bottom View</p>	

(3)Electric Character			
Item		Specify	Performance
Center Freq.(Fo ) +/- 0.5 %		338 MHz	338 MHz
Tunable Range		338±4 MHz	338±4 MHz
Insertion Loss		Typ. 3.5 dB	2.7 dB
-3 dB Bandwidth		Typ. 19 MHz	22 MHz
Sensitivity (Attenuation)	Fo - 30 MHz	Typ. 19 dBc	22 dBc
	Fo + 30 MHz	Typ. 20 dBc	23 dBc
	Fo - ( )MHz	Typ. dBc	dBc
	Fo +( )MHz	Typ. dBc	dBc
Return Loss		Min. 12 dB	20.0 dB
Ripple		< 1 dB	dB
Impedance		In / Out : 50 Ω	In / Out : 50 Ω
(4)Torque for Tuning Screw		> 100gf · cm	
(5)Temperature Condition:			
Operating Temperature		0°C ~ +60°C	
Storage Temperature		-20°C ~ +70°C	
(6)Input Power		> 1Watt	
Approval	Supervisor	Designer	Aperture size
C.Y.Chang	C.S.Chang	C.S.Chang	7S3S(4*4.4) 7S00LB6

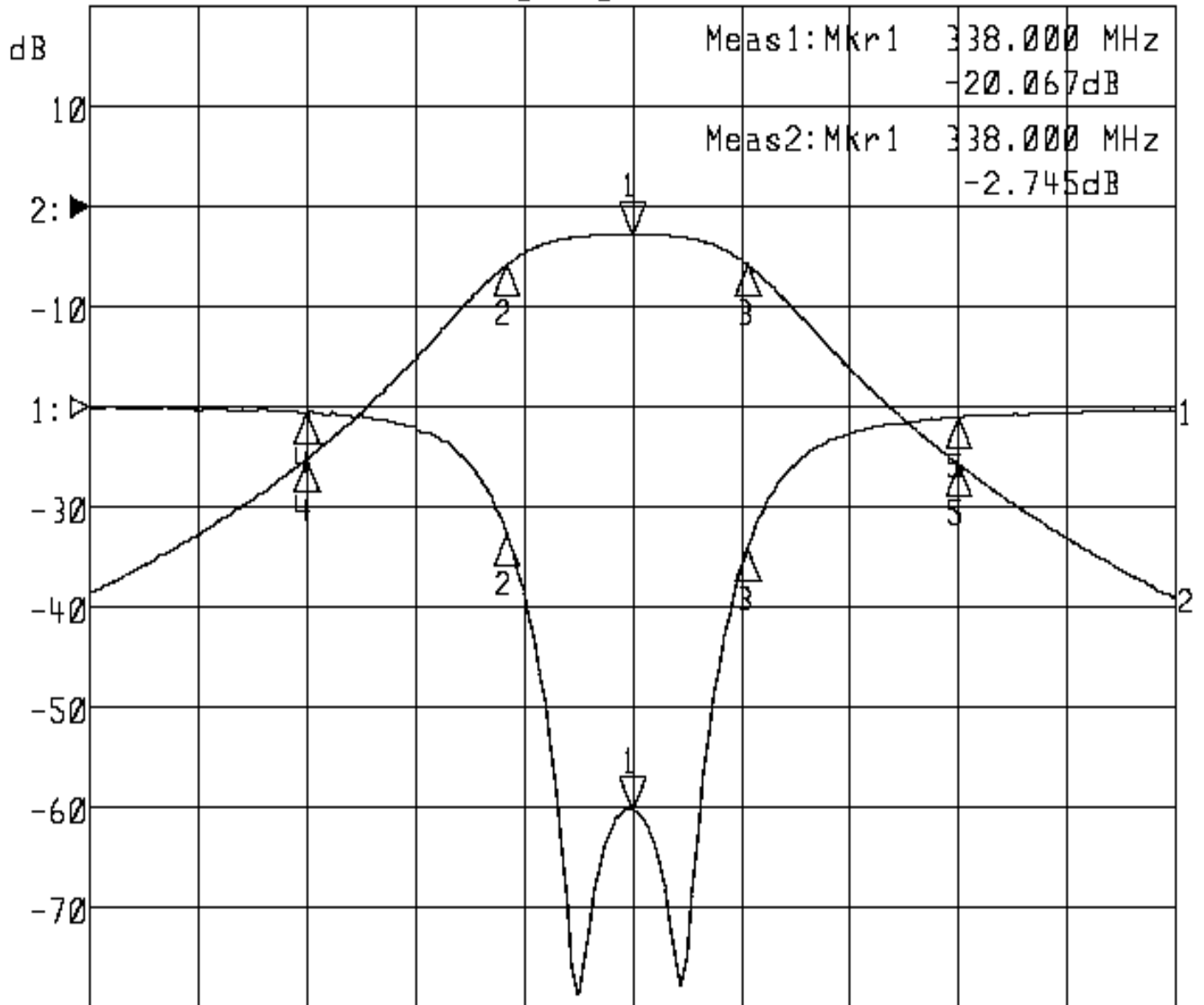
TEMWELL CORPORATION

# Performance-TTS3044B-338M

## 20211024B

▷1:S22 Ref1 Port2 Log Mag 5.0 dB/ Ref 0.00 dB C

▶2:S21 Fwd Trans Log Mag 10.0 dB/ Ref 0.00 dB C



Center 338.000 MHz

Span 100.000 MHz

1:Mkr (MHz)	dB	2:Mkr (MHz)	dB
1> 338.0000	-20.067	1> 338.0000	-2.745
2: 326.5000	-6.339	2: 326.5000	-5.701
3: 348.5667	-7.075	3: 348.5667	-5.793
4: 308.0000	-0.289	4: 308.0000	-25.271
5: 368.0000	-0.529	5: 368.0000	-25.708