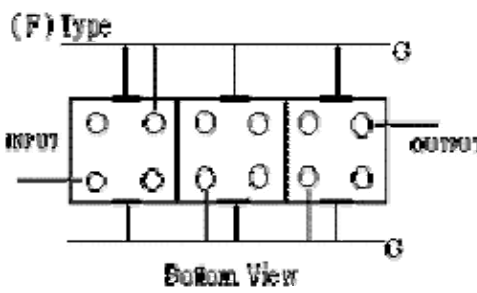
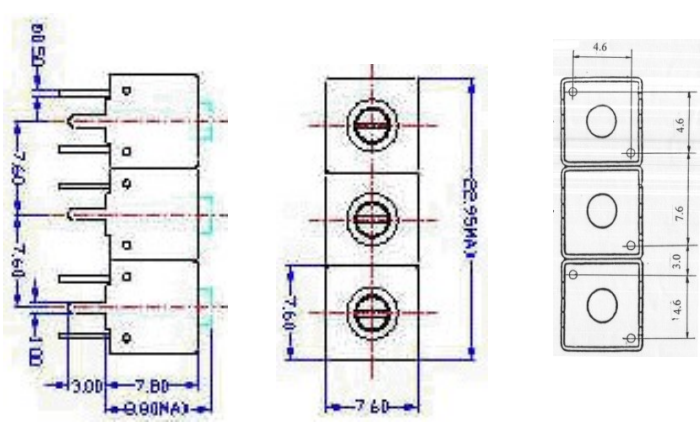


# VHF UHF Helical Filter Specification Sheet

Customer Name		Temwell's Part No.	TTS3043F-314M
Approval No. /dated	20102007DC	Acceptable Specify Fo. Range	311~355MHz
Work Instruction No.	20102007DC	Date	90/03/02

<p>(1) Pin Position</p>  <p style="text-align: center;">Bottom View</p>	<p>(2) Size Diagram</p> 
--	--

(3) Electric Character

Item	Specify	Performance	
Center Freq.(Fo ) +/- 0.5 %	314 MHz	314 MHz	
Tunable Range	314±4 MHz	314±4 MHz	
Insertion Loss	Typ. 3.5 dB	2.8 dB	
-3 dB Bandwidth	Typ. 15 MHz	18 MHz	
Sensitivity (Attenuation)	Fo - 30 MHz	Typ. 28 dBc	31 dBc
	Fo + 30 MHz	Typ. 12 dBc	15 dBc
	Fo - ( )MHz	Typ. dBc	dBc
	Fo +( )MHz	Typ. dBc	dBc
Return Loss	Min. 12 dB	36.5 dB	
Ripple	< 1 dB	dB	
Impedance	In / Out : 50 Ω	In / Out : 50 Ω	

(4) Torque for Tuning Screw > 100gf • cm

(5) Temperature Condition:

Operating Temperature	0°C ~ +60°C
Storage Temperature	-20°C ~ +70°C

(6) Input Power > 1Watt

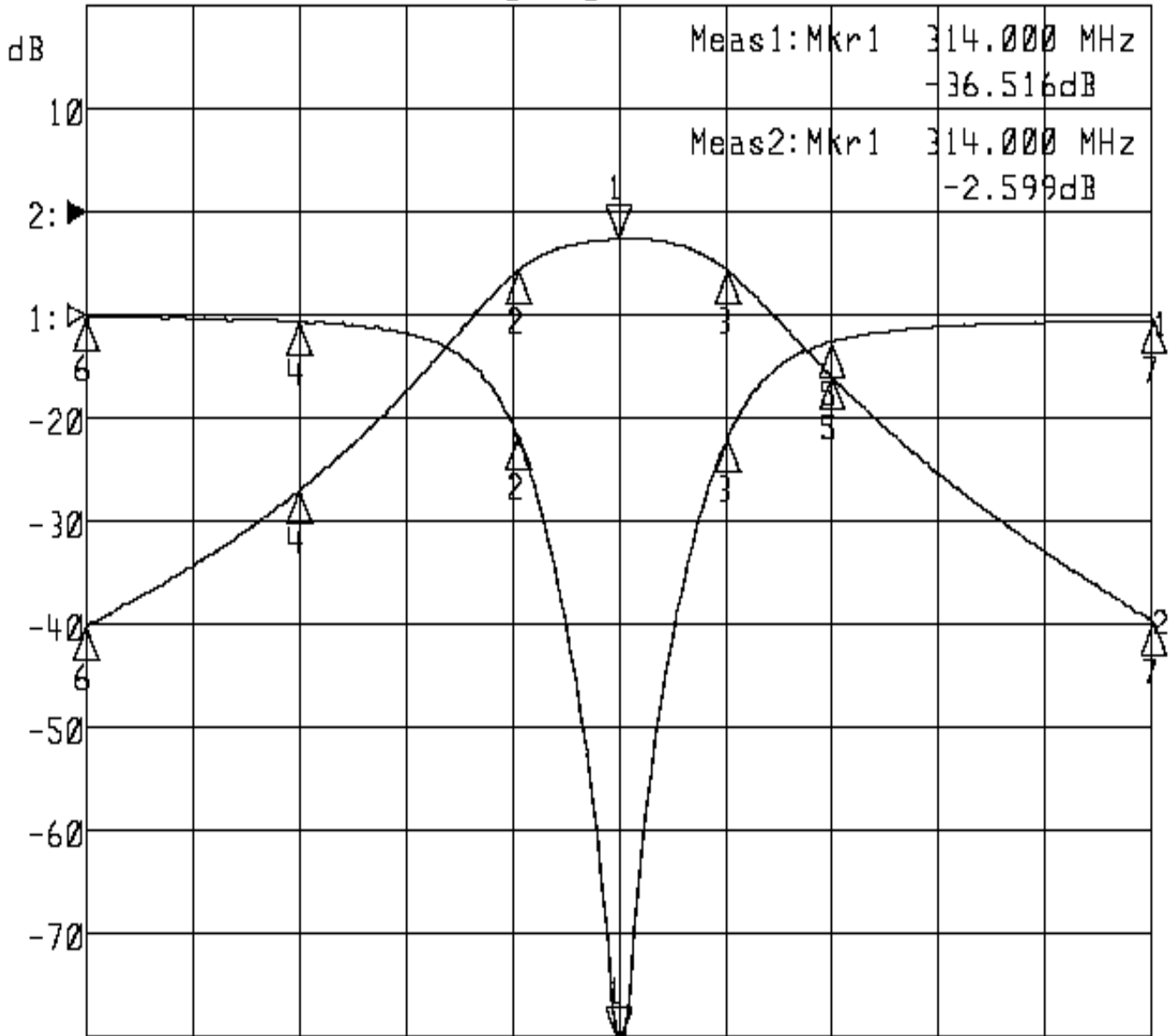
Approval	Supervisor	Designer	Aperture size
C.Y.Chang	C.S.Chang	C.S.Chang	7S3(4*4.5) 7S00LB6

TEMWELL CORPORATION

# Performance-TTS3043F-314M

## 20102007DC

▶1:S11 Refl Port1    Log Mag    5.0 dB/ Ref    0.00 dB    C  
▶2:S21 Fwd Trans    Log Mag    10.0 dB/ Ref    0.00 dB    C



Center 314.000 MHz

Span 100.000 MHz

1:Mkr (MHz)	dB	2:Mkr (MHz)	dB
1> 314.0000	-36.516	1> 314.0000	-2.599
2: 304.5667	-5.934	2: 304.5667	-5.668
3: 324.1667	-6.020	3: 324.1667	-5.644
4: 284.0000	-0.315	4: 284.0000	-27.113
5: 334.0000	-1.350	5: 334.0000	-15.983
6: 264.0000	-0.169	6: 264.0000	-40.215
7: 364.0000	-0.278	7: 364.0000	-39.672