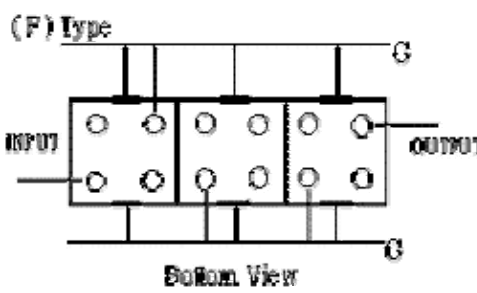
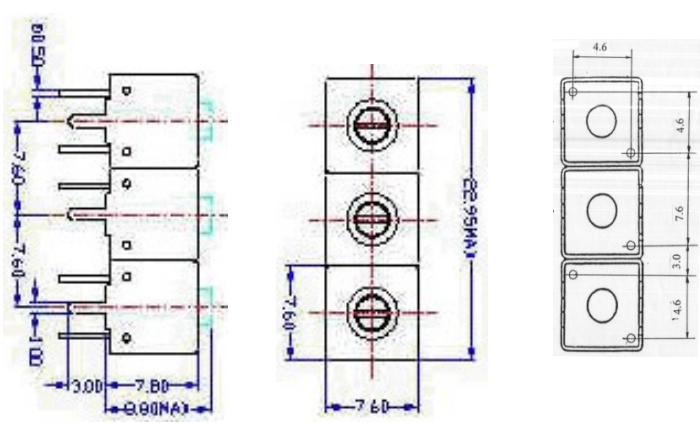


# VHF UHF Helical Filter Specification Sheet

Customer Name		Temwell's Part No.	TTS3032F-300M
Approval No. /dated	20102091DC	Acceptable Specify Fo. Range	276~310MHz
Work Instruction No.	20102091DC	Date	90.02.27

<p>(1) Pin Position</p>  <p style="text-align: center;">Bottom View</p>	<p>(2) Size Diagram</p> 
--	--

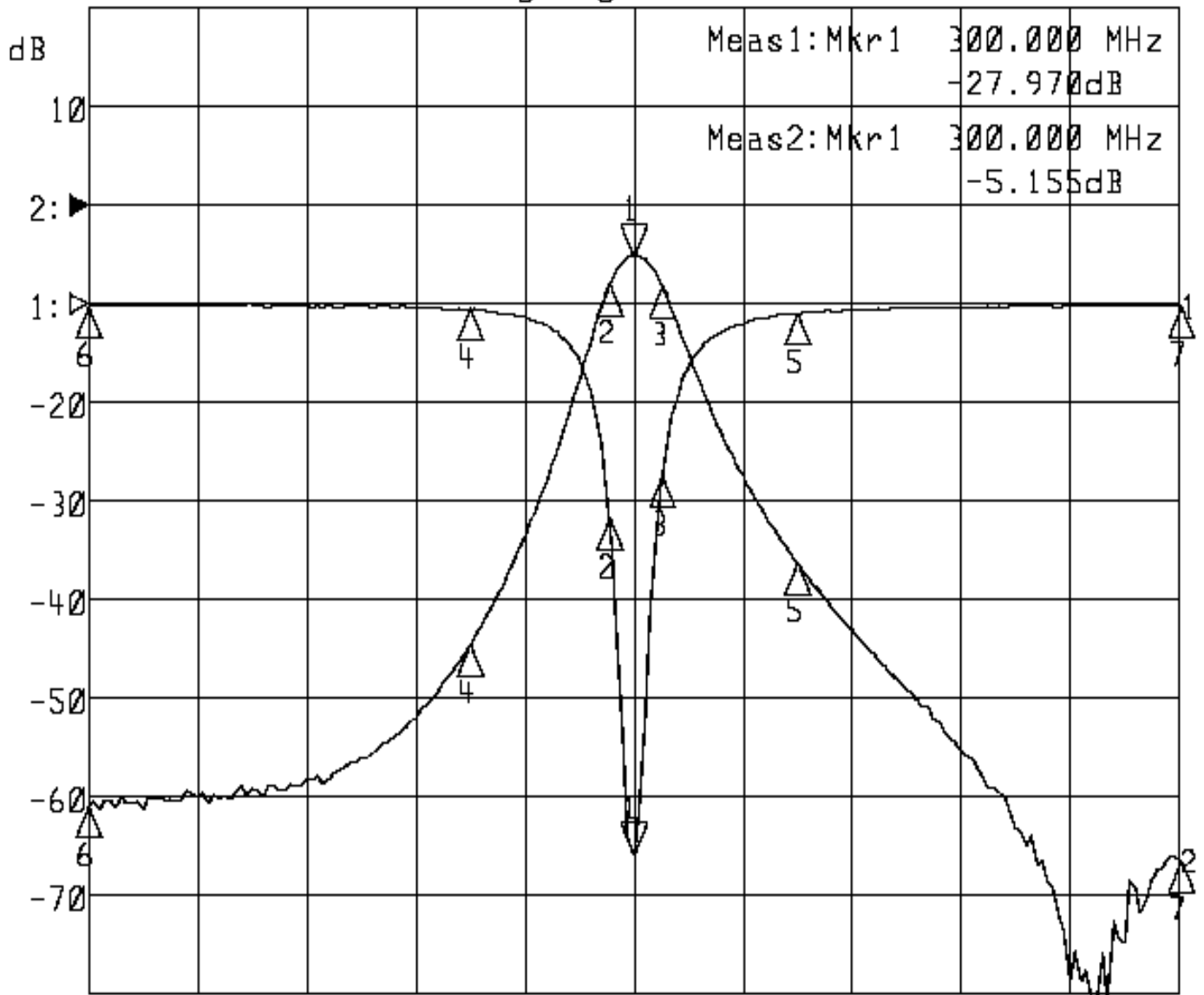
(3) Electric Character			
	Item	Specify	Performance
	Center Freq.(Fo) +/- 0.5 %	300 MHz	300 MHz
	Tunable Range	300±4 MHz	300±4 MHz
	Insertion Loss	Typ. 6.0 dB	5.1 dB
	-3 dB Bandwidth	Typ. 7.0 MHz	10 MHz
	Sensitivity (Attenuation)	Fo - 30 MHz	Typ. 36 dBc
		Fo + 30 MHz	Typ. 28 dBc
		Fo - ( )MHz	Typ. dBc
		Fo +( )MHz	Typ. dBc
	Return Loss	Min. 12 dB	27.9 dB
	Ripple	< 1 dB	dB
	Impedance	In / Out : 50 Ω	In / Out : 50 Ω
(4) Torque for Tuning Screw		> 100gf · cm	
(5) Temperature Condition:			
Operating Temperature		0°C ~ +60°C	
Storage Temperature		-20°C ~ +70°C	
(6) Input Power		> 1 Watt	
Approval	Supervisor	Designer	Aperture size
C.Y.Chang	C.S.Chang	C.S.Chang	7S3 (4*3.5) 7S00LB6

TEMWELL CORPORATION

# Performance-TTS3032F-300M

## 20102091DC

▶1:S11 Refl Port1 Log Mag 5.0 dB/ Ref 0.00 dB C  
▶2:S21 Fwd Trans Log Mag 10.0 dB/ Ref 0.00 dB C



Center 300.000 MHz

Span 200.000 MHz

1:Mkr (MHz)	dB	2:Mkr (MHz)	dB
1> 300.0000	-27.970	1> 300.0000	-5.155
2: 295.5333	-10.886	2: 295.5333	-8.120
3: 305.2667	-8.704	3: 305.2667	-8.181
4: 270.0000	-0.303	4: 270.0000	-44.602
5: 330.0000	-0.509	5: 330.0000	-36.300
6: 200.0000	-0.070	6: 200.0000	-61.098
7: 400.0000	-0.128	7: 400.0000	-66.395