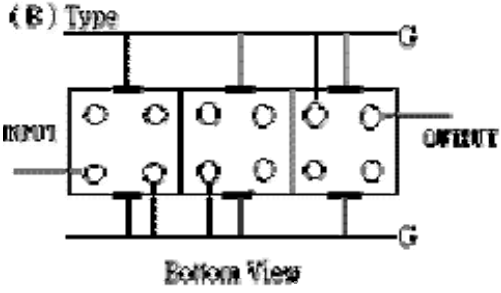
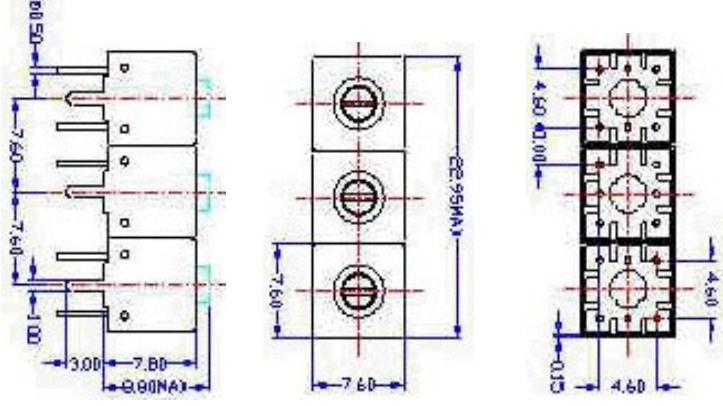


# VHF UHF Helical Filter Specification Sheet

Customer Name		Temwell's Part No.	TTS3021B-250M
Approval No. /dated	20102014DC	Acceptable Specify Fo. Range	246~275MHz
Work Instruction No.	20102014DC	Date	2001.02.27

<p>(1) Pin Position</p>  <p style="text-align: center;">Bottom View</p>	<p>(2) Size Diagram</p> 
--	--

(3) Electric Character

Item	Specify	Performance	
Center Freq.(Fo ) +/- 0.5 %	250 MHz	250 MHz	
Tunable Range	250±4 MHz	250±4 MHz	
Insertion Loss	Typ. 6.5 dB	5.9 dB	
-3 dB Bandwidth	Typ. 10 MHz	12 MHz	
Sensitivity (Attenuation)	Fo - 50 MHz	Typ. 48 dBc	51 dBc
	Fo + 50 MHz	Typ. 65 dBc	68 dBc
	Fo - ( )MHz	Typ. dBc	dBc
	Fo +( )MHz	Typ. dBc	dBc
Return Loss	Min. 12 dB	16.5 dB	
Ripple	< 1 dB	dB	
Impedance	In / Out : 50 Ω	In / Out : 50 Ω	

(4) Torque for Tuning Screw > 100gf · cm

(5) Temperature Condition:

Operating Temperature	0°C ~ +60°C
Storage Temperature	-20°C ~ +70°C

(6) Input Power > 1Watt

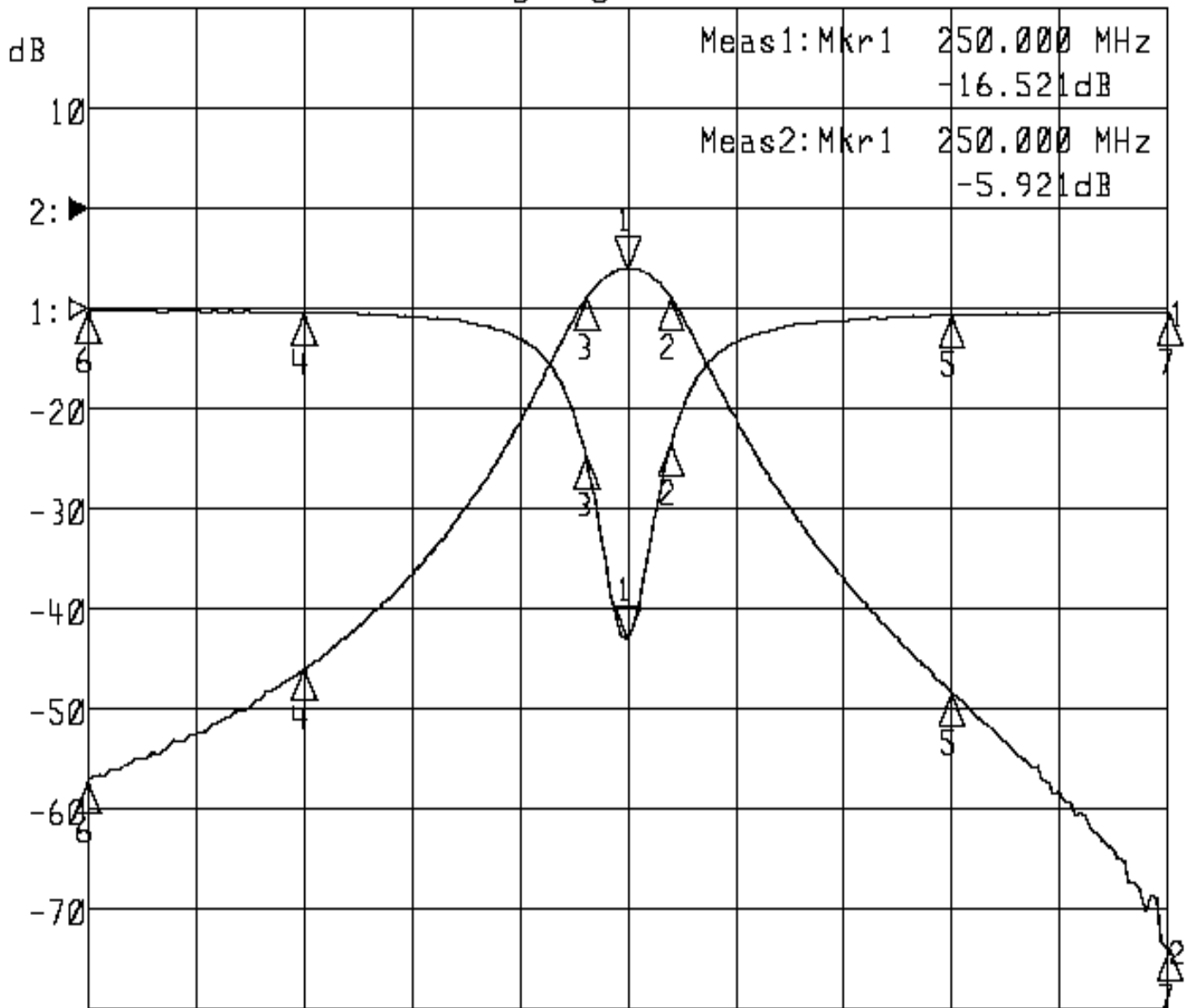
Approval	Supervisor	Designer	Aperture size
C.Y.Chang	C.S.Chang	C.S.Chang	7S3S (4*3.5) 7S00LB5.5

TEMWELL CORPORATION

# Performance-TTS3021B-250M

## 20102014DC

►1:S11 Refl Port1 Log Mag 5.0 dB/ Ref 0.00 dB C  
►2:S21 Fwd Trans Log Mag 10.0 dB/ Ref 0.00 dB C



Center 250.000 MHz

Span 100.000 MHz

1:Mkr (MHz)	dB	2:Mkr (MHz)	dB
1> 250.0000	-16.521	1> 250.0000	-5.921
2: 254.0333	-6.735	2: 254.0333	-8.937
3: 246.1667	-7.419	3: 246.1667	-8.913
4: 220.0000	-0.198	4: 220.0000	-46.098
5: 280.0000	-0.335	5: 280.0000	-48.436
6: 200.0000	-0.178	6: 200.0000	-57.162
7: 300.0000	-0.212	7: 300.0000	-74.038