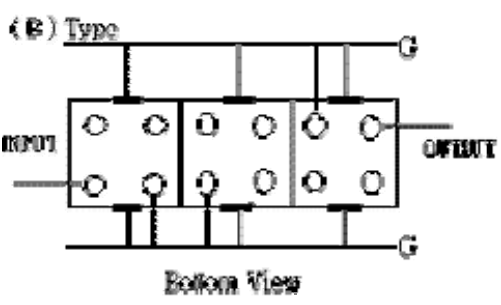
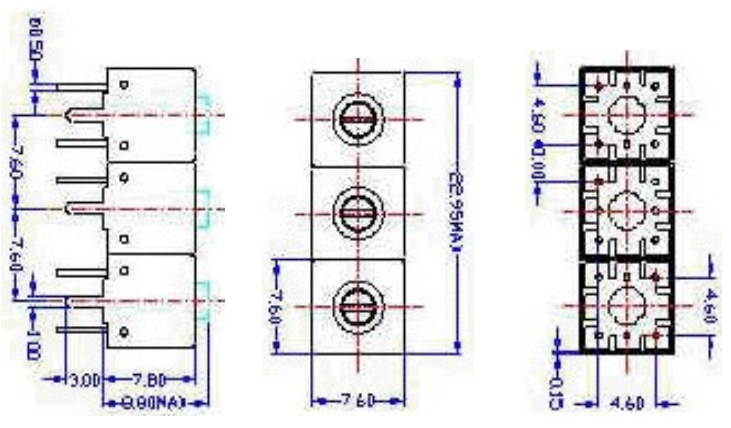


VHF UHF Helical Filter Specification Sheet

Customer Name		Temwell's Part No.	TTS3013B-230M
Approval No. /dated	20102032DC	Acceptable Specify Fo. Range	221~245MHz
Work Instruction No.	20102032DC	Date	2001.02.23

(1)Pin Position	(2)Size Diagram
 <p>(B) Type Bottom View</p>	

(3)Electric Character			
Item		Specify	Performance
Center Freq.(Fo) +/- 0.5 %		230 MHz	230 MHz
Tunable Range		230±4 MHz	230±4 MHz
Insertion Loss		Typ. 4.5 dB	3.6 dB
-1 dB Bandwidth		Typ. 18 MHz	20 MHz
-3 dB Bandwidth		Typ. 23 MHz	25 MHz
Sensitivity (Attenuation)	Fo - 50 MHz	Typ. 34 dBc	37 dBc
	Fo + 50 MHz	Typ. 33 dBc	36 dBc
	Fo - ()MHz	Typ. dBc	dBc
	Fo +()MHz	Typ. dBc	dBc
Return Loss		Min. 12 dB	15.4 dB
Ripple		< 1 dB	dB
Impedance		In / Out : 50 Ω	In / Out : 50 Ω
(4)Torque for Tuning Screw		> 100gf • cm	
(5)Temperature Condition:			
Operating Temperature		0°C ~ +60°C	
Storage Temperature		-20°C ~ +70°C	
(6)Input Power		> 1Watt	
Approval	Supervisor	Designer	Aperture size
C.Y.Chang	C.S.Chang	C.S.Chang	7S3S (4*4.5) 7S00LB5.5

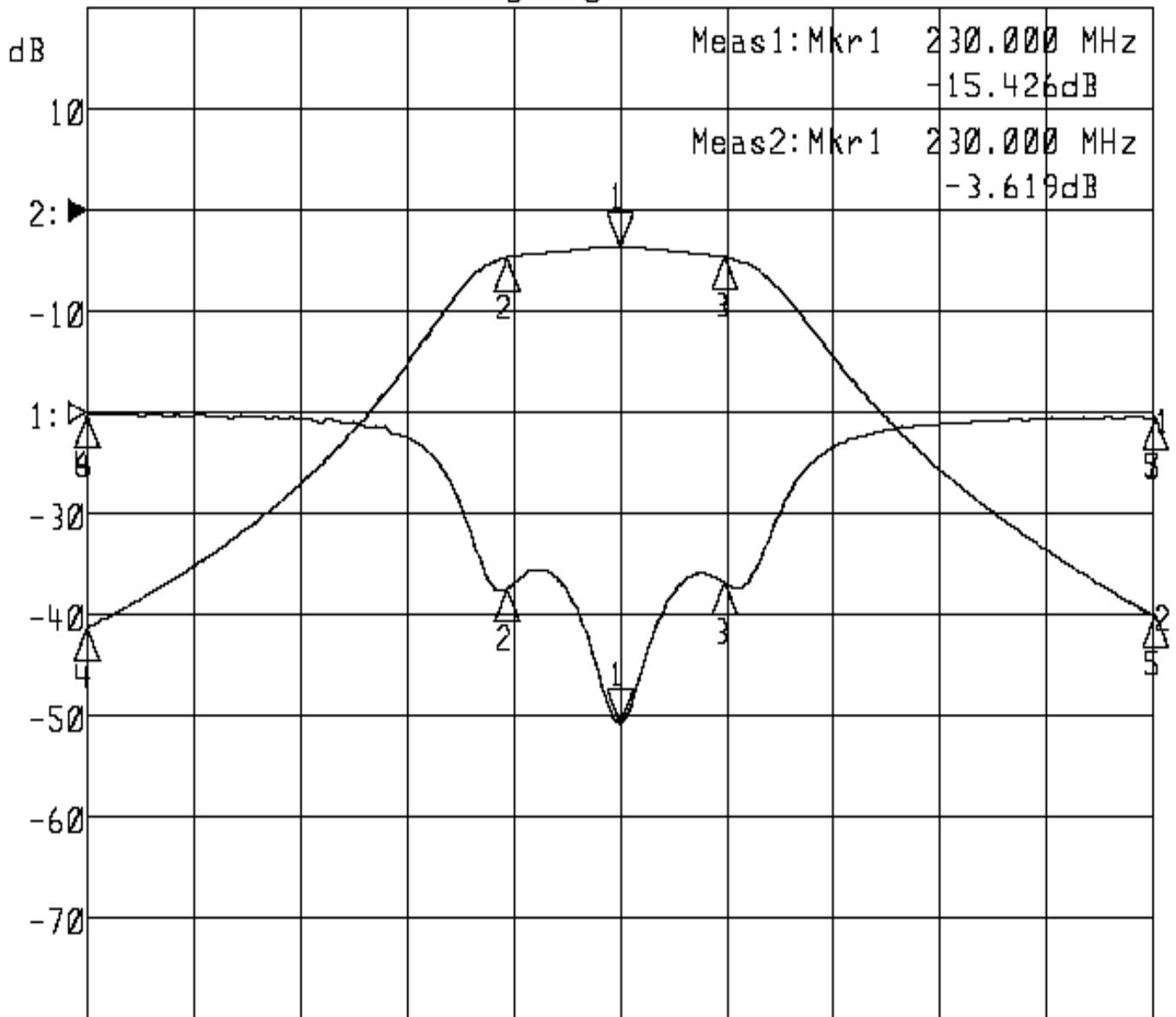
TEMWELL CORPORATION

Performance-TTS3013B-230M

20102032DC

▷1:S11 Refl Port1 Log Mag 5.0 dB/ Ref 0.00 dB C

▶2:S21 Fwd Trans Log Mag 10.0 dB/ Ref 0.00 dB C



Center 230.000 MHz

Span 100.000 MHz

1:Mkr (MHz)	dB	2:Mkr (MHz)	dB
1> 230.0000	-15.426	1> 230.0000	-3.619
2: 219.4000	-8.761	2: 219.4000	-4.628
3: 239.7667	-8.403	3: 239.7667	-4.605
4: 180.0000	-0.160	4: 180.0000	-41.347
5: 280.0000	-0.253	5: 280.0000	-40.058
6: 180.0000	-0.160		
7: 280.0000	-0.253		