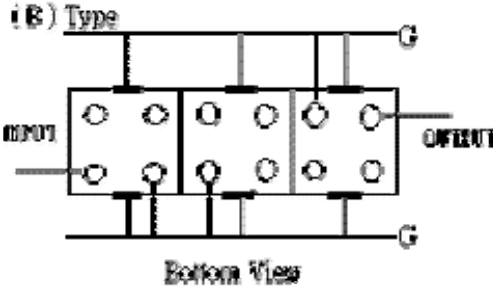
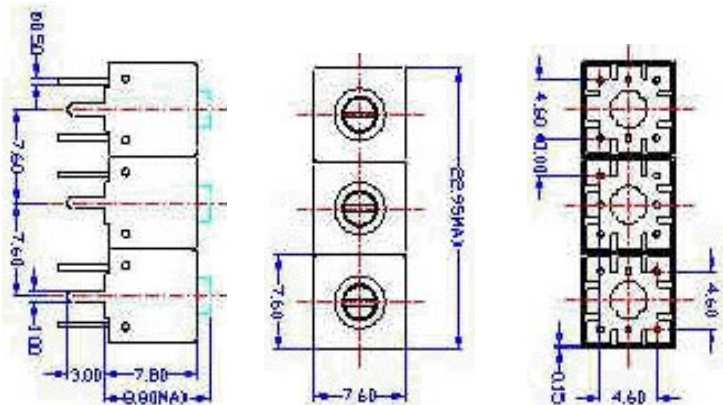


VHF UHF Helical Filter Specification Sheet

Customer Name		Temwell's Part No.	TTS3012B-230M
Approval No. /dated	20102031DC	Acceptable Specify Fo. Range	221~245MHz
Work Instruction No.	20102031DC	Date	2001.02.23

(1)Pin Position	(2)Size Diagram
 <p>(B) Type</p> <p>Bottom View</p>	

(3)Electric Character

Item	Specify	Performance	
Center Freq.(Fo) +/- 0.5 %	230 MHz	230 MHz	
Tunable Range	230±4 MHz	230±4 MHz	
Insertion Loss	Typ. 5.0 dB	3.8 dB	
-3 dB Bandwidth	Typ. 14 MHz	16 MHz	
Sensitivity (Attenuation)	Fo - 50 MHz	Typ. 43 dBc	46 dBc
	Fo + 50 MHz	Typ. 52 dBc	55 dBc
	Fo - ()MHz	Typ. dBc	dBc
	Fo +()MHz	Typ. dBc	dBc
Return Loss	Min. 12 dB	30.2 dB	
Ripple	< 1 dB	dB	
Impedance	In / Out : 50 Ω	In / Out : 50 Ω	

(4)Torque for Tuning Screw > 100gf • cm

(5)Temperature Condition:

Operating Temperature	0°C ~ +60°C
Storage Temperature	-20°C ~ +70°C

(6)Input Power > 1Watt

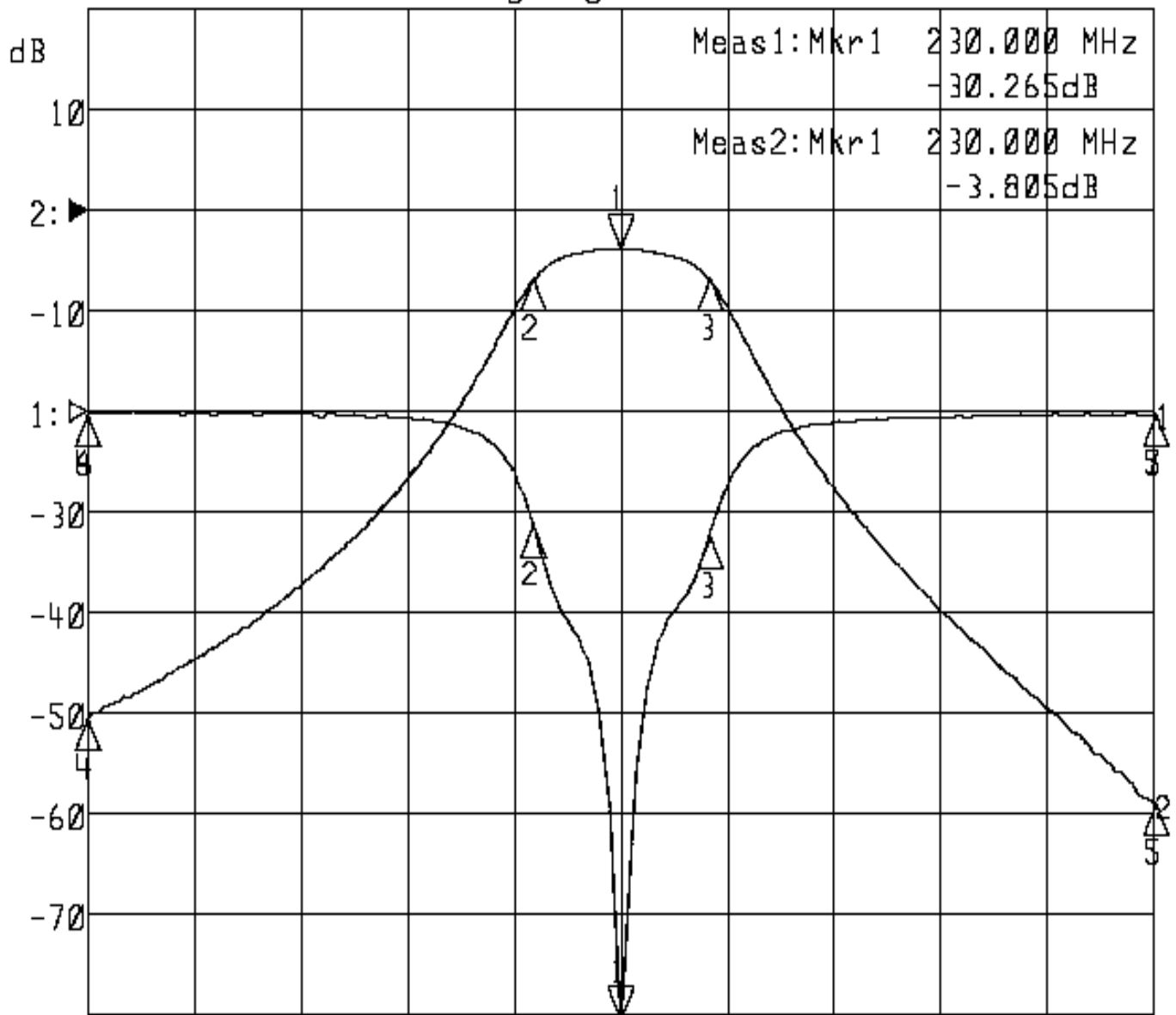
Approval	Supervisor	Designer	Aperture size
C.Y.Chang	C.S.Chang	C.S.Chang	7S3S (4*4.5) 7S00LB5.5

TEMWELL CORPORATION

Performance-TTS3012B-230M

20102031DC

►1:S11 Refl Port1 Log Mag 5.0 dB/ Ref 0.00 dB C
►2:S21 Fwd Trans Log Mag 10.0 dB/ Ref 0.00 dB C



Center 230.000 MHz

Span 100.000 MHz

1:Mkr (MHz)	dB	2:Mkr (MHz)	dB
1> 230.0000	-30.265	1> 230.0000	-3.805
2: 221.8667	-5.686	2: 221.8667	-6.868
3: 238.3000	-6.212	3: 238.3000	-6.824
4: 180.0000	-0.103	4: 180.0000	-50.500
5: 280.0000	-0.166	5: 280.0000	-59.033
6: 180.0000	-0.103		
7: 280.0000	-0.166		