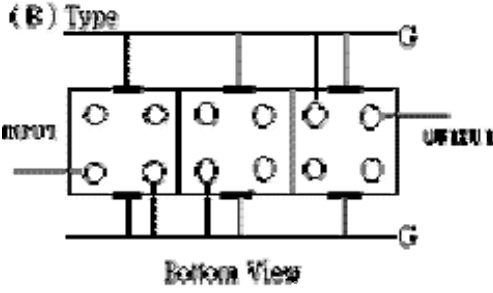
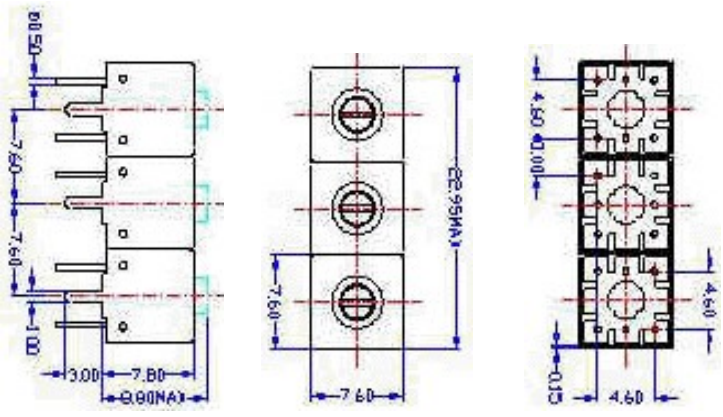


# VHF UHF Helical Filter Specification Sheet

Customer Name		Temwell's Part No.	TTS3011B-230M
Approval No. /dated	20102030DC	Acceptable Specify Fo. Range	221~245MHz
Work Instruction No.	20102030DC	Date	2001.02.20

(1) Pin Position	(2) Size Diagram
 <p style="text-align: center;">(B) Type Bottom View</p>	

(3) Electric Character

Item	Specify	Performance	
Center Freq.(Fo) +/- 0.5 %	230 MHz	230 MHz	
Tunable Range	230±4 MHz	230±4 MHz	
Insertion Loss	Typ. 6.0 dB	5.0 dB	
-3 dB Bandwidth	Typ. 10 MHz	12 MHz	
Sensitivity (Attenuation)	Fo - 50 MHz	Typ. 48 dBc	51 dBc
	Fo + 50 MHz	Typ. 55 dBc	58 dBc
	Fo - ( )MHz	Typ. dBc	dBc
	Fo +( )MHz	Typ. dBc	dBc
Return Loss	Min. 12 dB	31.7 dB	
Ripple	< 1 dB	dB	
Impedance	In / Out : 50 Ω	In / Out : 50 Ω	

(4) Torque for Tuning Screw > 100gf • cm

(5) Temperature Condition:

Operating Temperature	0°C ~ +60°C
Storage Temperature	-20°C ~ +70°C

(6) Input Power > 1Watt

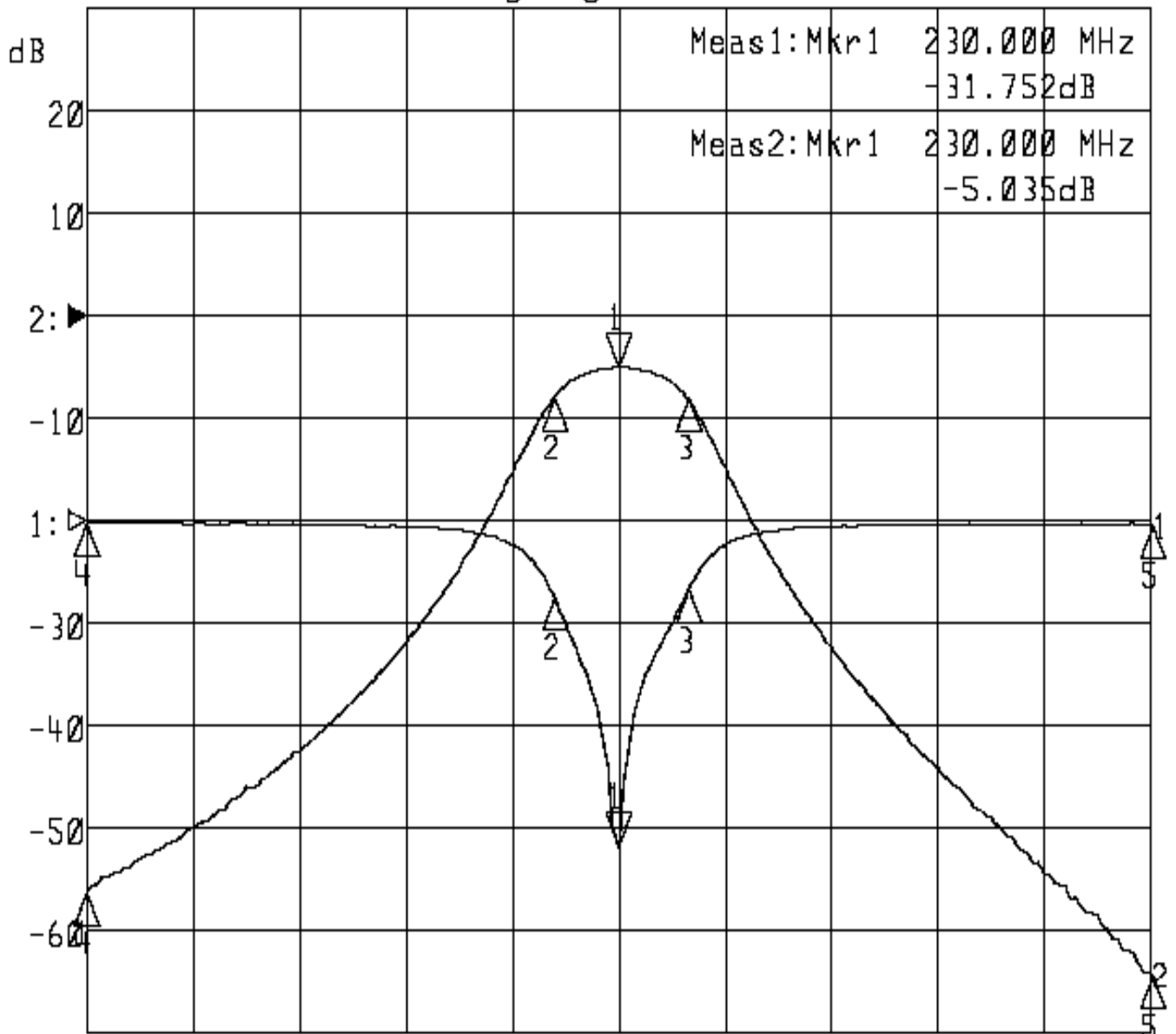
Approval	Supervisor	Designer	Aperture size
C.Y.Chang	C.S.Chang	C.S.Chang	7S3S (4*4.5) 7S00LB5.5

TEMWELL CORPORATION

# Performance-TTS3011B-230M

## 20102030DC

►1:S11 Refl Port1 Log Mag 10.0 dB/ Ref 0.00 dB C  
►2:S21 Fwd Trans Log Mag 10.0 dB/ Ref 0.00 dB C



Center 230.000 MHz

Span 100.000 MHz

1:Mkr (MHz)	dB	2:Mkr (MHz)	dB
1> 230.0000	-31.752	1> 230.0000	-5.035
2: 223.9333	-7.387	2: 223.9333	-8.033
3: 236.5000	-6.841	3: 236.5000	-8.083
4: 180.0000	-0.271	4: 180.0000	-56.273
5: 280.0000	-0.412	5: 280.0000	-64.545