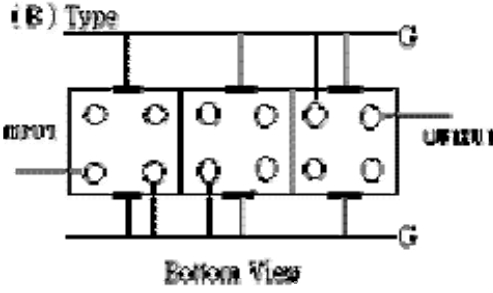
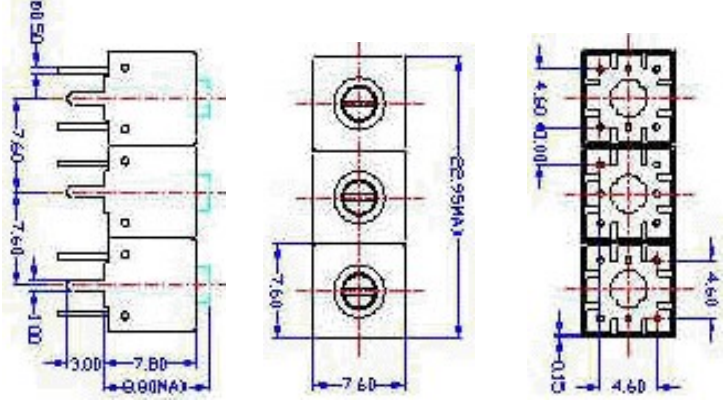


VHF UHF Helical Filter Specification Sheet

| | | | |
|----------------------|------------|------------------------------|----------------|
| Customer Name | | Temwell's Part No. | TTS-3006B-215M |
| Approval No. /dated | 20107031DB | Acceptable Specify Fo. Range | 196~220MHz |
| Work Instruction No. | 20107031DB | Date | 2001.07.16 |

| | |
|--|--|
| <p>(1) Pin Position</p>  <p style="text-align: center;">Bottom View</p> | <p>(2) Size Diagram</p>  |
|--|--|

(3) Electric Character

| Item | Specify | Performance | |
|------------------------------|-----------------|-----------------|--------|
| Center Freq.(Fo) +/- 0.5 % | 215 MHz | 215 MHz | |
| Tunable Range | 215±4 MHz | 215±4 MHz | |
| Insertion Loss | Typ. 3.5 dB | 2.9 dB | |
| -3 dB Bandwidth | Typ. 19 MHz | 20 MHz | |
| Sensitivity (Attenuation) | Fo - 100 MHz | Typ. 61 dBc | 64 dBc |
| | Fo + 100 MHz | Typ. 55 dBc | 58 dBc |
| | Fo - ()MHz | Typ. dBc | dBc |
| | Fo +()MHz | Typ. dBc | dBc |
| Return Loss | Min. 12 dB | 17.7 dB | |
| Ripple | < 1 dB | dB | |
| Impedance | In / Out : 50 Ω | In / Out : 50 Ω | |

(4) Torque for Tuning Screw > 100gf • cm

(5) Temperature Condition:

| | |
|-----------------------|---------------|
| Operating Temperature | 0°C ~ +60°C |
| Storage Temperature | -20°C ~ +70°C |

(6) Input Power > 1Watt

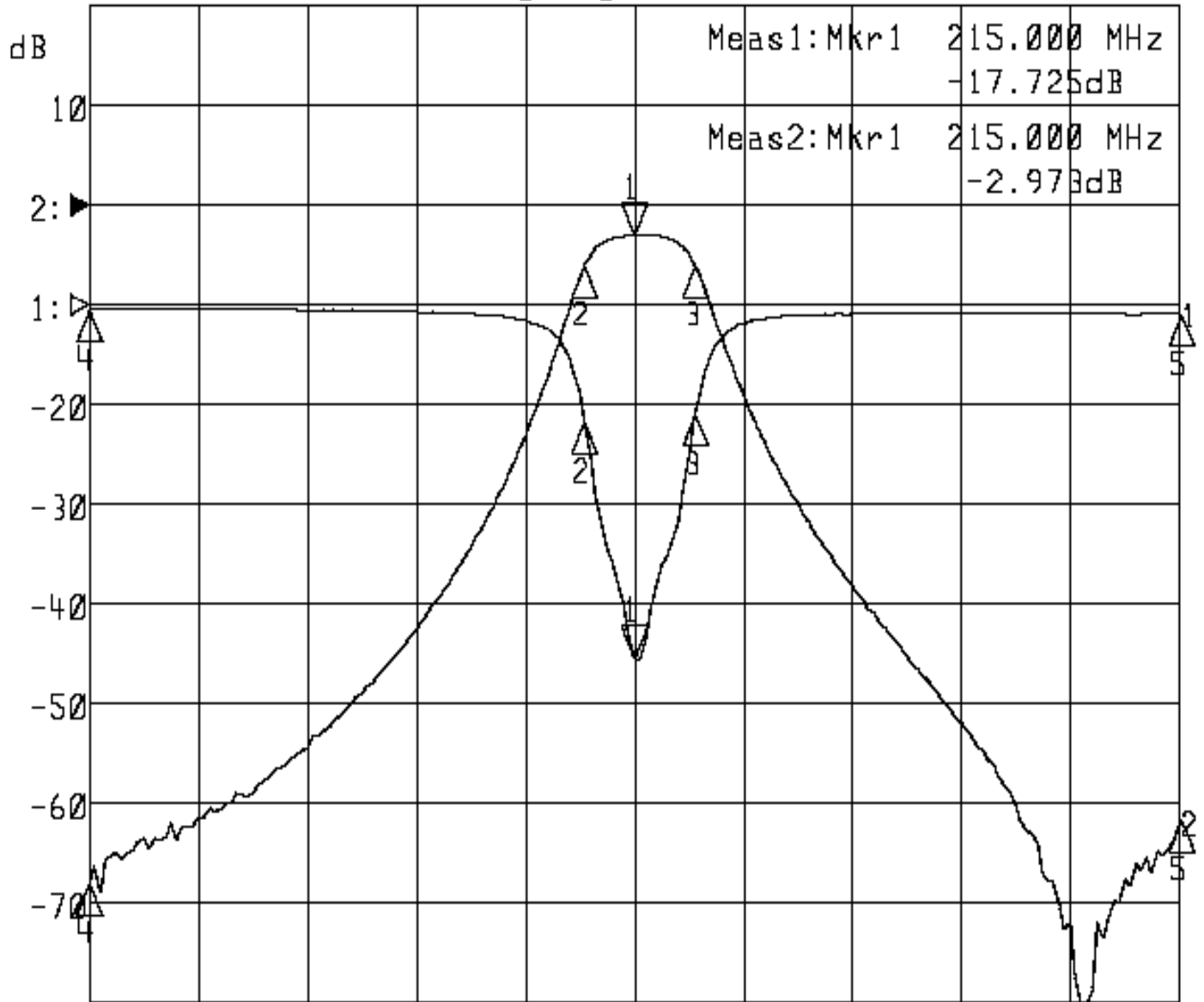
| | | | |
|-----------|------------|-----------|------------------------|
| Approval | Supervisor | Designer | Aperture size |
| C.Y.Chang | C.S.Chang | C.S.Chang | 7S3S(4*5.2) 7S00LB6 |

TEMWELL CORPORATION

Performance- TTS-3006B-215M

20107031DB

▷1:S11 Refl Port1 Log Mag 5.0 dB/ Ref 0.00 dB C
▶2:S21 Fwd Trans Log Mag 10.0 dB/ Ref 0.00 dB C



Center 215.000 MHz

Span 200.000 MHz

| 1:Mkr (MHz) | dB | 2:Mkr (MHz) | dB |
|-------------|---------|-------------|---------|
| 1> 215.0000 | -17.725 | 1> 215.0000 | -2.973 |
| 2: 206.0000 | -5.856 | 2: 206.0000 | -5.953 |
| 3: 226.1333 | -5.514 | 3: 226.1333 | -5.972 |
| 4: 115.0000 | -0.197 | 4: 115.0000 | -67.922 |
| 5: 315.0000 | -0.470 | 5: 315.0000 | -61.826 |