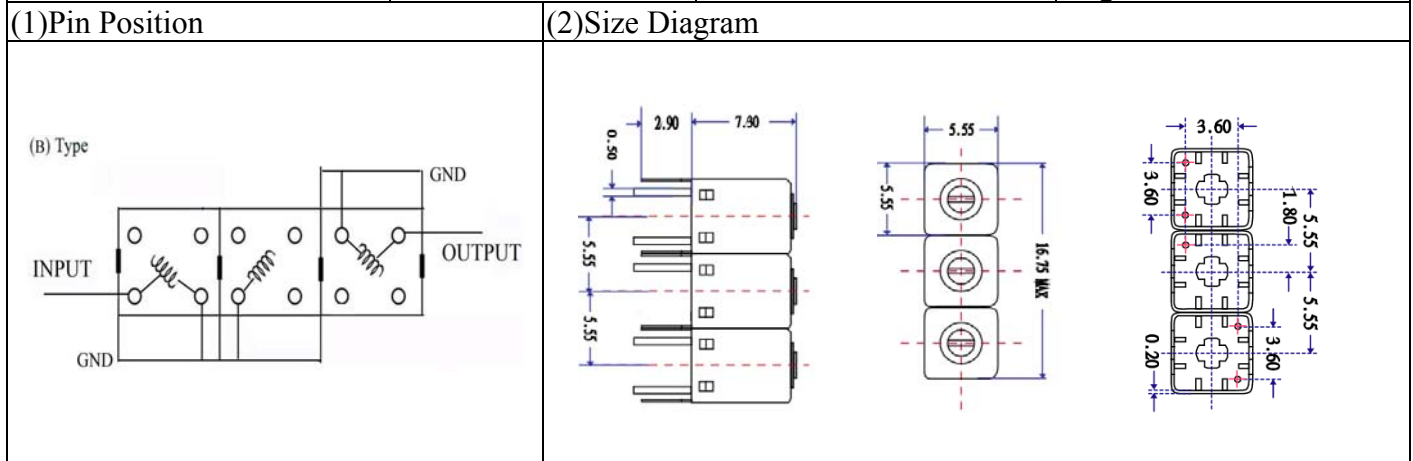


VHF UHF Helical Filter Specification Sheet

Customer Name		Temwell's Part No.	TTR3943B-1455.4M
Approval No. /dated		Temwell's Print Name.	3943B 1455.4M
Work Instruction No.	201608029CD	Date	Aug.09.2016

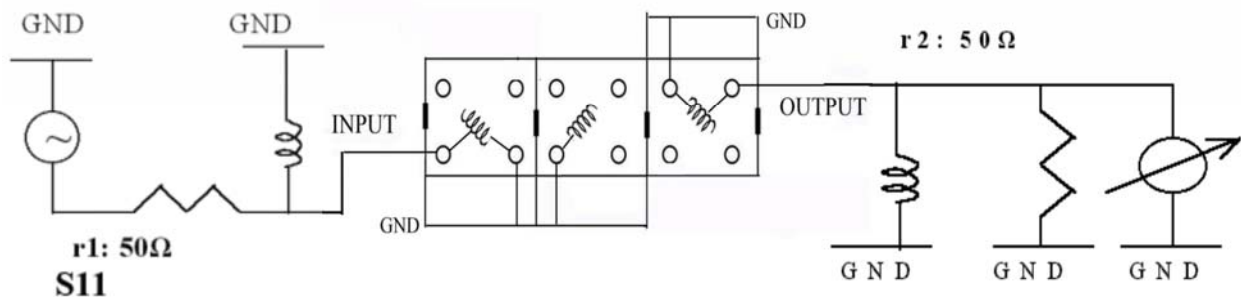


(3) Electric Character

Item	Specify	Performance
Center Freq.(Fo) +/- 0.5 %	1455.4 MHz	1455.4 MHz
Insertion Loss	Typ. 4.5 dB	3.57 dB
-3 dB Bandwidth	Typ. 25 MHz	33.3 MHz
Sensitivity (Attenuation)	Fo -100 MHz	Typ. 40 dBc
	Fo +100 MHz	Typ. 30 dBc
	Fo - ()MHz	Typ. dBc
	Fo +()MHz	Typ. dBc
Return Loss	Min. 12 dB	43.9 dB
Ripple	< 1 dB	dB
Impedance	In / Out : 50 Ω	In / Out : 50 Ω
(4) Torque for Tuning Screw	> 60gf · cm	
(5) Temperature Condition:		
Operating Temperature	0°C ~ +60°C	
Storage Temperature	-20°C ~ +70°C	
(6) Input Power	> 0.5Watt	

(7) Measuring Circuit: ※Easy to match Impedance S11/S22 50Ω by parallel with about(- -).

S 2 2



(Bottom View)

Approval	Supervisor	Designer	Aperture size
C.Y.Chang	C.K.Chang	C.S.Chang	5R3S(3.8*4.65)(5.52) 5HW024RB3

TEMWELL CORPORATION

TEMWELL

Form10-5R3B Vision D

RP(C.S.C)

Performance-TTR3943B-1455.4M

201608029CD

Tr1 S11 Log Mag 5.000dB/ Ref 0.000dB [F2]
Tr2 S21 Log Mag 10.00dB/ Ref 0.000dB [F2]

