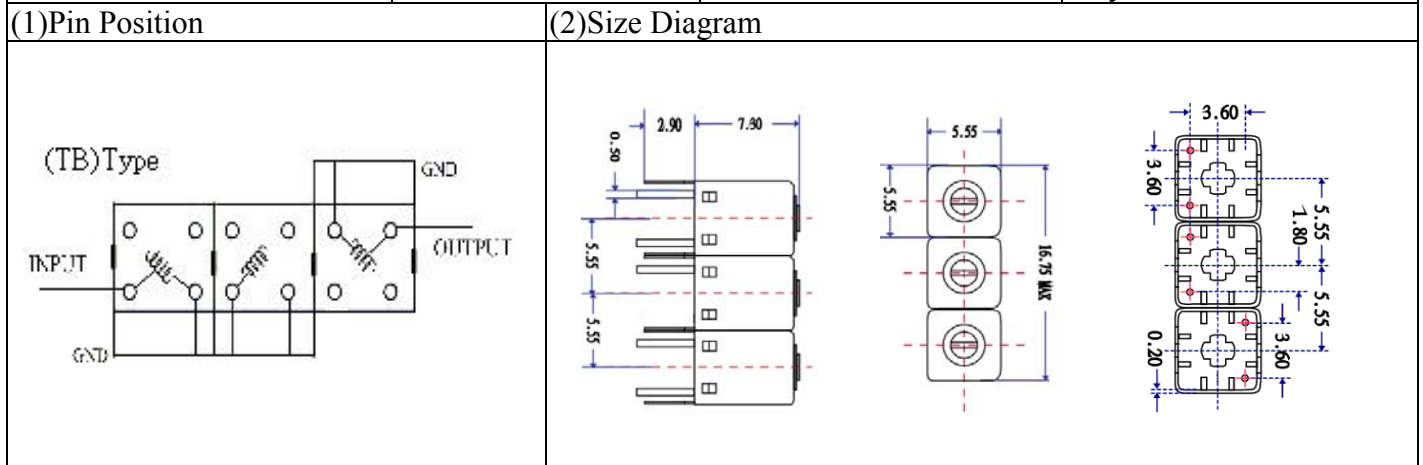


# VHF UHF Helical Filter Specification Sheet

Customer Name		Temwell's Part No.	TTR3890B-300M
Approval No. /dated	201505122CD	Temwell's Print Name.	3890B 300M
Work Instruction No.	201505122CD	Date	May.03.2016



69(3) Electric Character

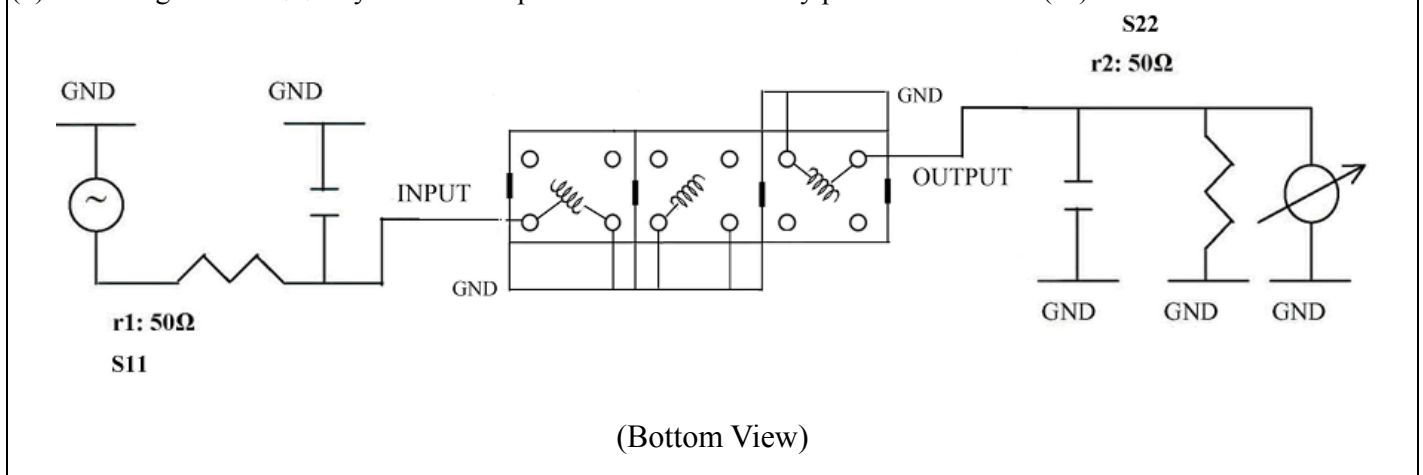
Item	Specify	Performance
Center Freq.(Fo) +/- 0.5 %	300 MHz	300 MHz
Insertion Loss	Typ. 3.0 dB	1.83 dB
-3 dB Bandwidth	Typ. 15 MHz	19.4 MHz
Sensitivity (Attenuation)	Fo -50 MHz	Typ. 35 dBc
	Fo +50 MHz	Typ. 25 dBc
	Fo - ( )MHz	Typ. dBc
	Fo +( )MHz	Typ. dBc
Return Loss	Min. 12 dB	23.0 dB
Ripple	< 1 dB	dB
Impedance	In / Out : 50 Ω	In / Out : 50 Ω
(4) Torque for Tuning Screw	> 60gf • cm	

(5) Temperature Condition:

Operating Temperature	0°C ~ +60°C
Storage Temperature	-20°C ~ +70°C

(6) Input Power >0.5Watt

(7) Measuring Circuit: ※Easy to match Impedance S11/S22 50Ω by parallel with about(- -).



Approval C.Y.Chang	Supervisor C.K.Chang	Designer C.S.Chang	Aperture size 5R3S(3.8*4.2)(5.25) 5HW020RB3.5
-----------------------	-------------------------	-----------------------	---

TEMWELL CORPORATION

# Performance-TTR3890B-300M

## 201505122CD

