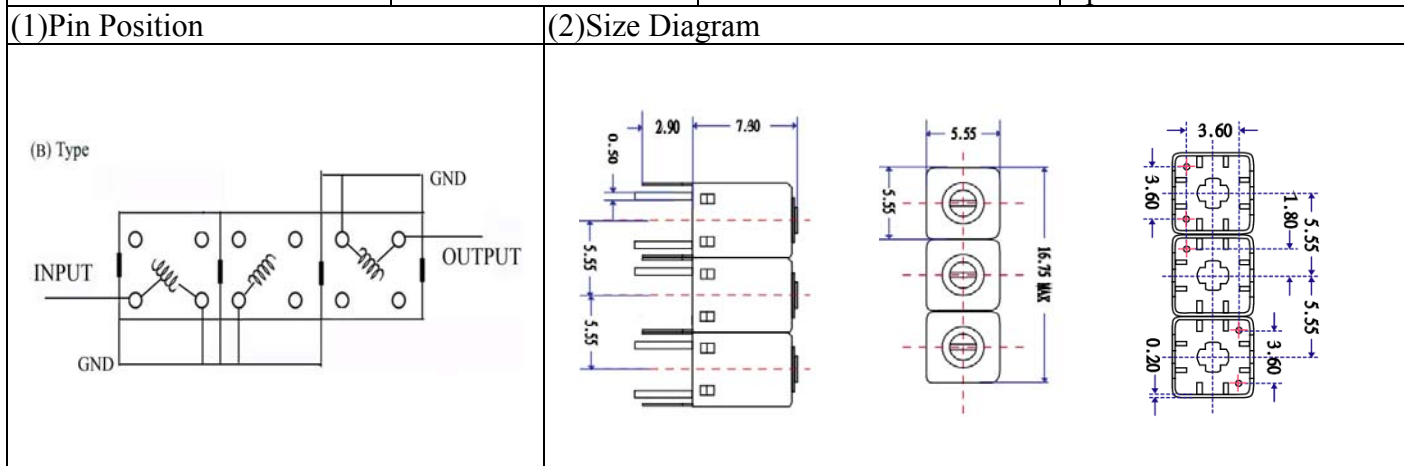


# VHF UHF Helical Filter Specification Sheet

Customer Name		Temwell's Part No.	TTR3813B-1475M
Approval No. /dated	201505117CD	Temwell's Print Name.	3813B 1475M
Work Instruction No.	201505117CD	Date	Apr.26.2016



### (3) Electric Character

Item	Specify	Performance	
Center Freq.(Fo) +/- 0.5 %	1475 MHz	1475 MHz	
Insertion Loss	Typ. 4.5 dB	3.19 dB	
-3 dB Bandwidth	Typ. 25 MHz	36.8 MHz	
Sensitivity (Attenuation)	Fo -100 MHz	Typ. 38 dBc	46 dBc
	Fo +100 MHz	Typ. 27 dBc	34 dBc
	Fo - ( )MHz	Typ. dBc	dBc
	Fo +( )MHz	Typ. dBc	dBc
Return Loss	Min. 12 dB	37.4 dB	
Ripple	< 1 dB	dB	
Impedance	In / Out : 50 Ω	In / Out : 50 Ω	

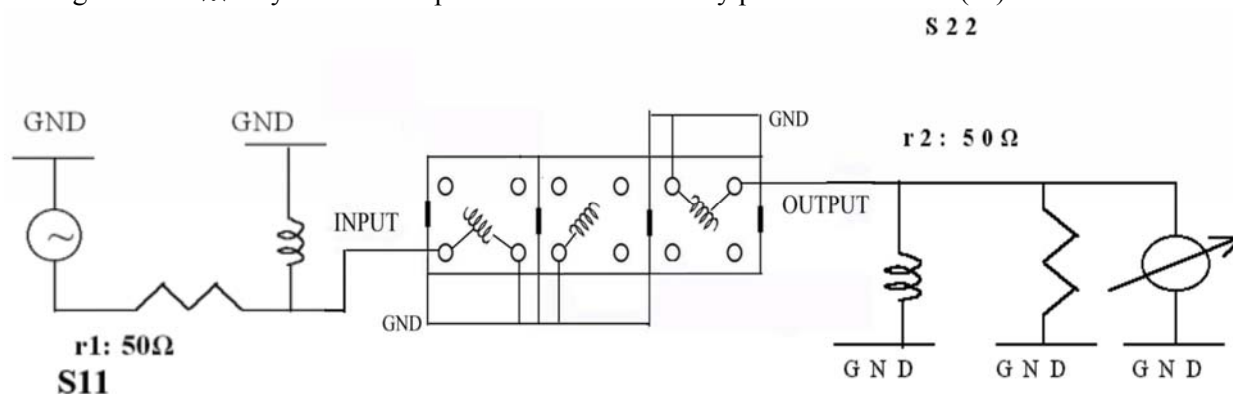
(4) Torque for Tuning Screw > 60gf · cm

(5) Temperature Condition:

Operating Temperature	0°C ~ +60°C
Storage Temperature	-20°C ~ +70°C

(6) Input Power > 0.5Watt

(7) Measuring Circuit: ※Easy to match Impedance S11/S22 50Ω by parallel with about(- -).



(Bottom View)

Approval	Supervisor	Designer	Aperture size
C.Y.Chang	C.K.Chang	C.S.Chang	5R3S(3.8*4.65)(5.52) 5HW024RB3

TEMWELL CORPORATION

TEMWELL

Form10-5R3B Vision D

RP(C.S.C)

# Performance-TTR3813B-1475M

## 201505117CD

Tr1 S11 Log Mag 5.000dB/ Ref 0.000dB [F2]  
Tr2 S21 Log Mag 10.00dB/ Ref 0.000dB [F2]

