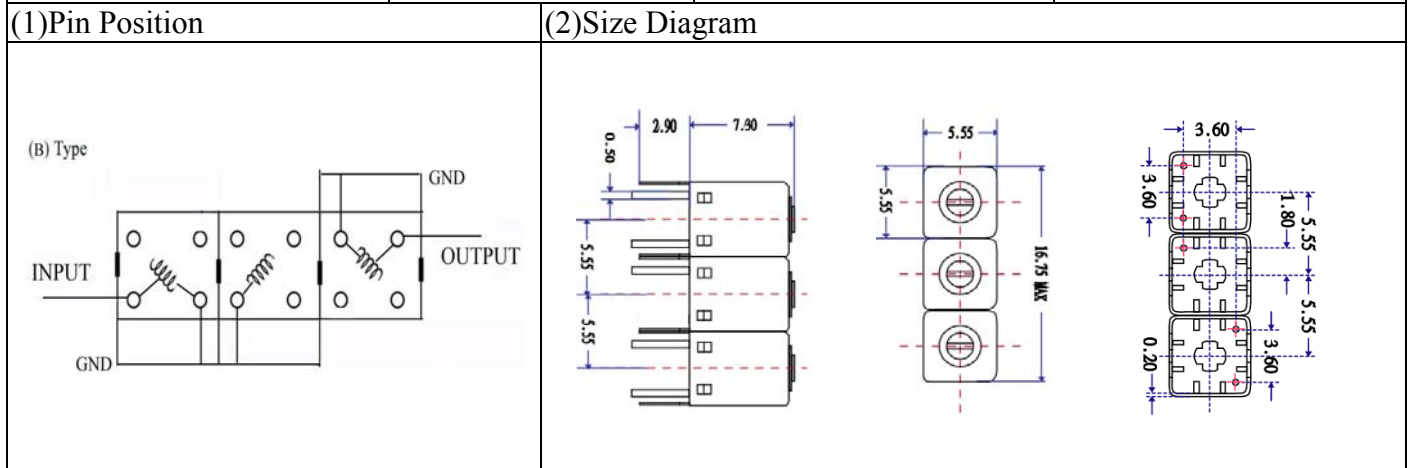


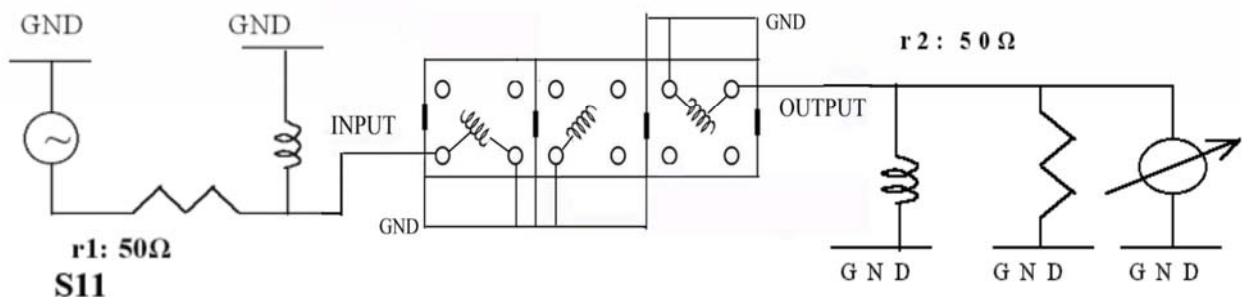
VHF UHF Helical Filter Specification Sheet

Customer Name		Temwell's Part No.	TTR3809B-1375M
Approval No. /dated		Temwell's Print Name.	3809B 1375M
Work Instruction No.	201505115CD	Date	Nov.30.2015



(3) Electric Character			
Item		Specify	Performance
Center Freq.(Fo) +/- 0.5 %		1375 MHz	1375 MHz
Insertion Loss		Typ. 4.5 dB	3.49 dB
-3 dB Bandwidth		Typ. 25 MHz	33.0 MHz
Sensitivity (Attenuation)	Fo -100 MHz	Typ. 41 dBc	47 dBc
	Fo +100 MHz	Typ. 29 dBc	35 dBc
	Fo - ()MHz	Typ. dBc	dBc
	Fo +()MHz	Typ. dBc	dBc
Return Loss		Min. 12 dB	34.3 dB
Ripple		< 1 dB	dB
Impedance		In / Out : 50 Ω	In / Out : 50 Ω
(4) Torque for Tuning Screw		> 60gf • cm	
(5) Temperature Condition:			
Operating Temperature		0°C ~ +60°C	
Storage Temperature		-20°C ~ +70°C	
(6) Input Power		>0.5Watt	

(7) Measuring Circuit: ※Easy to match Impedance S11/S22 50Ω by parallel with about(- -).
S 2 2



(Bottom View)

Approval	Supervisor	Designer	Aperture size
C.Y.Chang	C.K.Chang	C.S.Chang	5R3S(3.8*4.65)(5.52) 5HW024RB3

TEMWELL CORPORATION

Performance-TTR3809B-1375M

201505115CD

Tr1 511 Log Mag 5.000dB/ Ref 0.000dB [F2]
Tr2 521 Log Mag 10.00dB/ Ref 0.000dB [F2]

