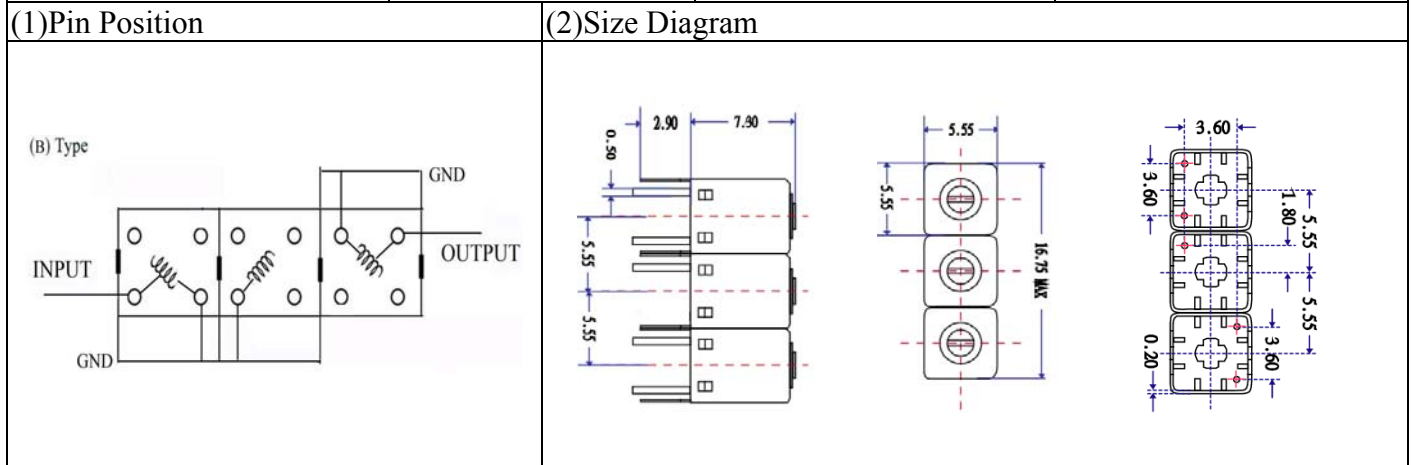


VHF UHF Helical Filter Specification Sheet

Customer Name		Temwell's Part No.	TTR3805B-1325M
Approval No. /dated	201505114CD	Temwell's Print Name.	3805B 1325M
Work Instruction No.	201505114CD	Date	Dec.01.2015



(3) Electric Character

Item	Specify	Performance
Center Freq.(Fo) +/- 0.5 %	1325 MHz	1325 MHz
Insertion Loss	Typ. 4.5 dB	3.21 dB
-3 dB Bandwidth	Typ. 23 MHz	34.0 MHz
Sensitivity (Attenuation)	Fo -100 MHz	Typ. 43 dBc
	Fo +100 MHz	Typ. 31 dBc
	Fo - ()MHz	Typ. dBc
	Fo +()MHz	Typ. dBc
Return Loss	Min. 12 dB	26.8 dB
Ripple	< 1 dB	dB
Impedance	In / Out : 50 Ω	In / Out : 50 Ω
(4) Torque for Tuning Screw	> 60gf · cm	

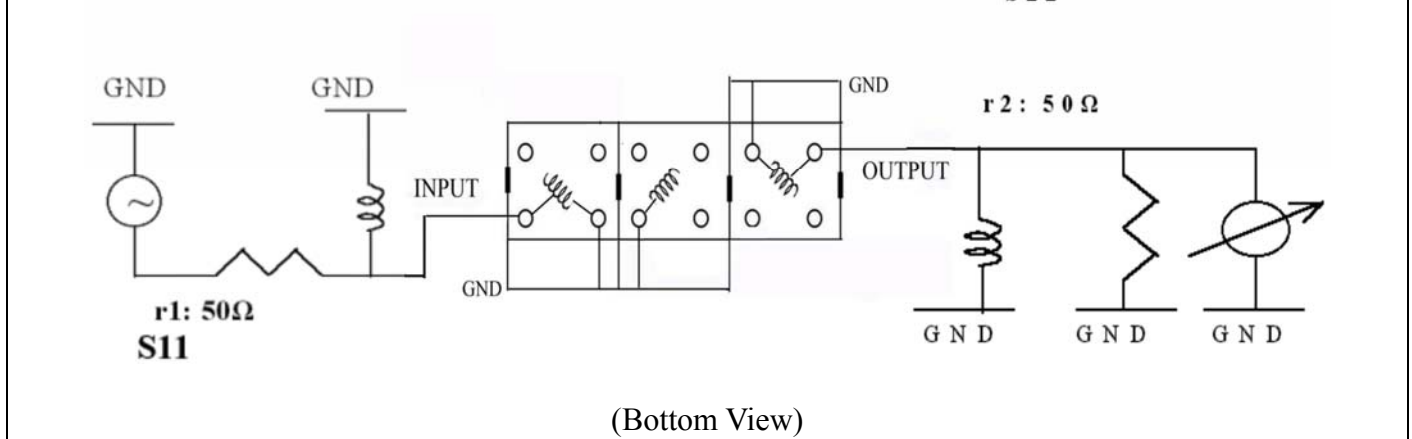
(5) Temperature Condition:

Operating Temperature	0°C ~ +60°C
Storage Temperature	-20°C ~ +70°C

(6) Input Power

>0.5Watt

(7) Measuring Circuit: ※Easy to match Impedance S11/S22 50Ω by parallel with about(- -).



Approval C.Y.Chang	Supervisor C.K.Chang	Designer C.S.Chang	Aperture size 5R3S(3.8*4.65)(5.52) 5HW024RB3
-----------------------	-------------------------	-----------------------	--

TEMWELL CORPORATION

Performance-TTR3805B-1325M

201505114CD

Tr1 S11 Log Mag 5.000dB/ Ref 0.000dB [F2]
Tr2 S21 Log Mag 10.00dB/ Ref 0.000dB [F2]

