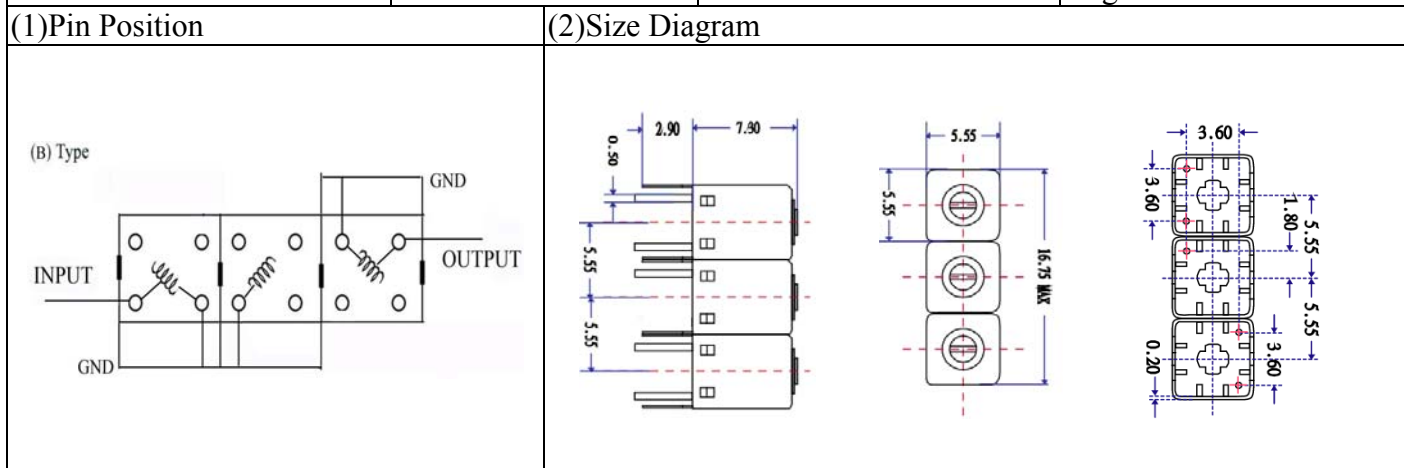


VHF UHF Helical Filter Specification Sheet

Customer Name		Temwell's Part No.	TTR3802B-1275M
Approval No. /dated	201505113CD	Temwell's Print Name.	3802B 1275M
Work Instruction No.	201505113CD	Date	Aug.24.2015



(3) Electric Character

Item	Specify	Performance	
Center Freq.(Fo) +/- 0.5 %	1275 MHz	1275 MHz	
Insertion Loss	Typ. 4.5 dB	3.31 dB	
-3 dB Bandwidth	Typ. 25 MHz	35.3 MHz	
Sensitivity (Attenuation)	Fo -100 MHz	Typ. 44 dBc	46 dBc
	Fo +100 MHz	Typ. 32 dBc	35 dBc
	Fo - ()MHz	Typ. dBc	dBc
	Fo +()MHz	Typ. dBc	dBc
Return Loss	Min. 12 dB	31.9 dB	
Ripple	< 1 dB	dB	
Impedance	In / Out : 50 Ω	In / Out : 50 Ω	

(4) Torque for Tuning Screw > 60gf • cm

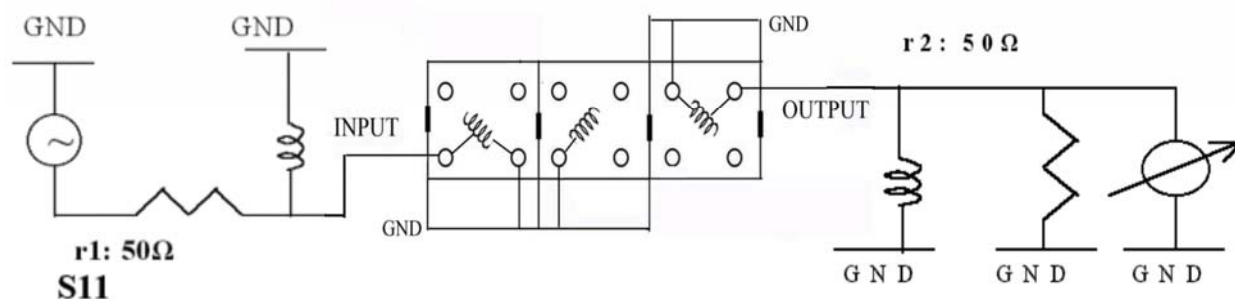
(5) Temperature Condition:

Operating Temperature	0°C ~ +60°C
Storage Temperature	-20°C ~ +70°C

(6) Input Power > 0.5Watt

(7) Measuring Circuit: ※Easy to match Impedance S11/S22 50Ω by parallel with about(- -).

S 2 2



(Bottom View)

Approval	Supervisor	Designer	Aperture size
C.Y.Chang	C.K.Chang	C.S.Chang	5R3S(3.8*4.65)(5.52) 5HW024RB3

TEMWELL CORPORATION

TEMWELL

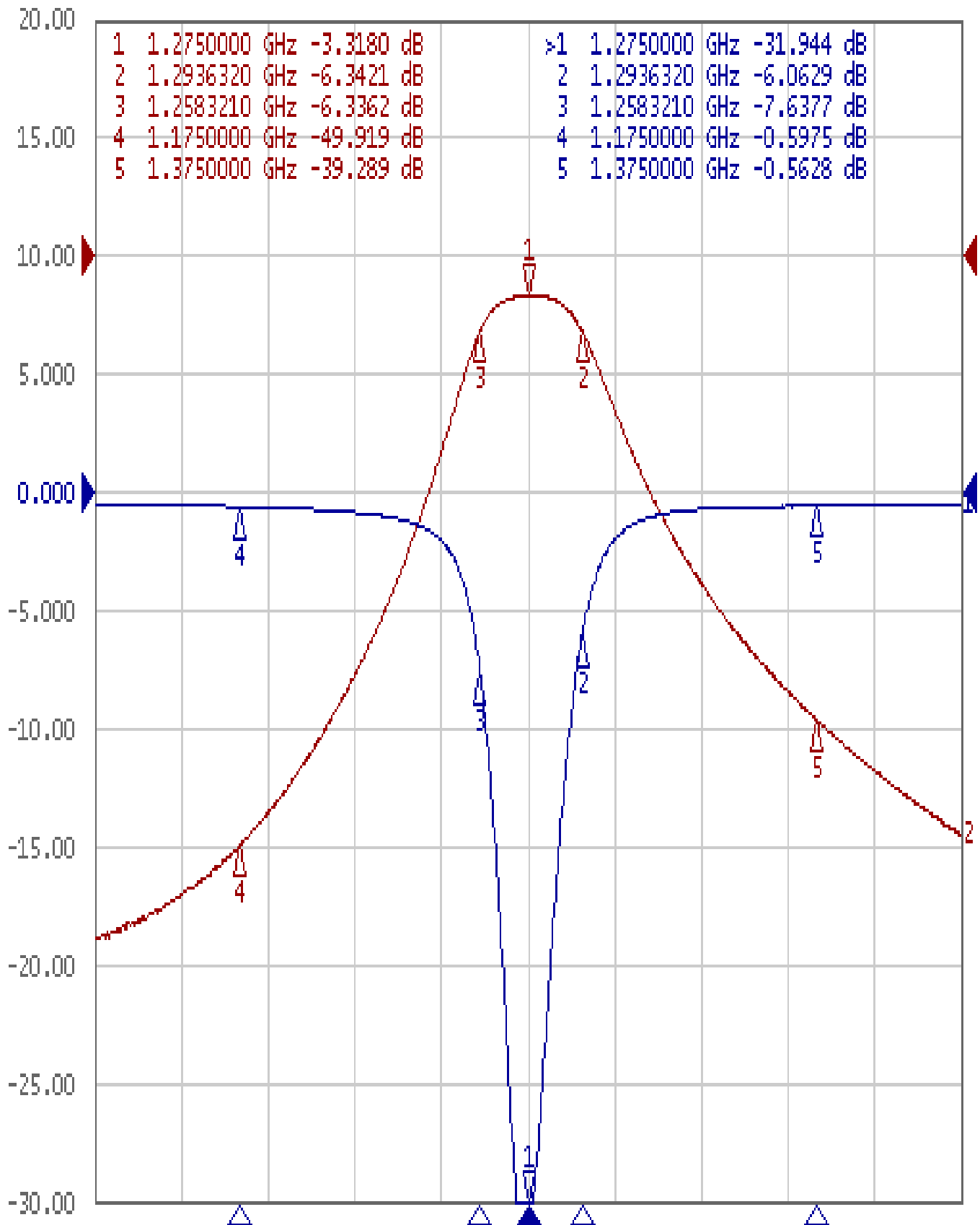
Form10-5R3B Vision D

RP(C.S.C)

Performance-TTR3802B-1275M

201505113CD

Tr1 S11 Log Mag 5.000dB/ Ref 0.000dB [F2]
Tr2 S21 Log Mag 10.000dB/ Ref 0.000dB [F2]



1 Center 1.275 GHz

IFBW 10 kHz

Span 300 MHz

Cor !