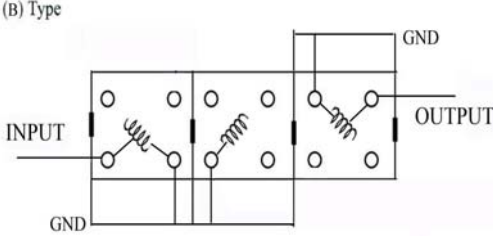
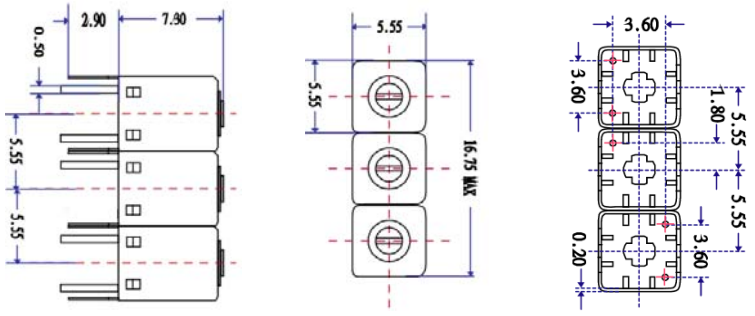


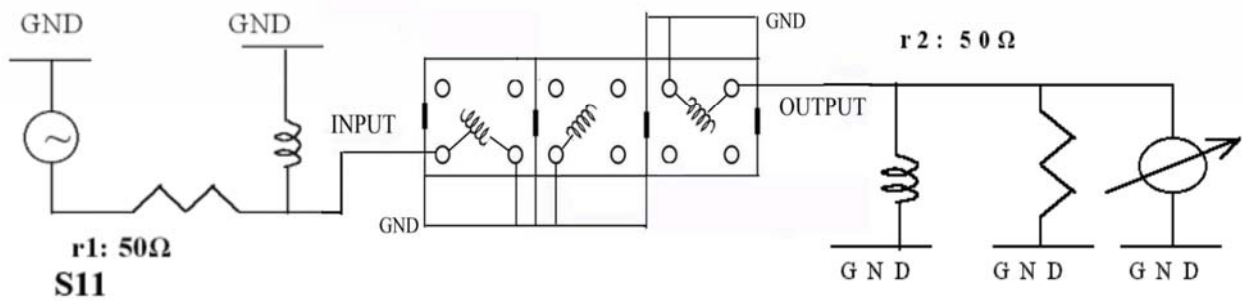
VHF UHF Helical Filter Specification Sheet

Customer Name		Temwell's Part No.	TTR3799B-1225M
Approval No. /dated	201505112CD	Temwell's Print Name.	3799B 1225M
Work Instruction No.	201505112CD	Date	Jul.17.2015

(1) Pin Position	(2) Size Diagram
	

(3) Electric Character					
Item		Specify		Performance	
Center Freq.(Fo) +/- 0.5 %		1225 MHz		1225 MHz	
Insertion Loss		Typ. 4.0 dB		3.03 dB	
-3 dB Bandwidth		Typ. 34 MHz		41.7 MHz	
Sensitivity (Attenuation)	Fo -100 MHz	Typ. 40 dBc		45 dBc	
	Fo +100 MHz	Typ. 29 dBc		35 dBc	
	Fo - ()MHz	Typ. dBc		dBc	
	Fo +()MHz	Typ. dBc		dBc	
Return Loss		Min. 12 dB		19.5 dB	
Ripple		< 1 dB		dB	
Impedance		In / Out : 50 Ω		In / Out : 50 Ω	
(4) Torque for Tuning Screw		> 60gf • cm			
(5) Temperature Condition:					
Operating Temperature		0°C ~ +60°C			
Storage Temperature		-20°C ~ +70°C			
(6) Input Power		>0.5Watt			

(7) Measuring Circuit: ※Easy to match Impedance S11/S22 50Ω by parallel with about(-).
S 2 2



(Bottom View)

Approval	Supervisor	Designer	Aperture size
C.Y.Chang	C.K.Chang	C.S.Chang	5R3S(3.8*4.2)(5.25) 5HW024RB3

TEMWELL CORPORATION

TEMWELL

Form10-5R3B Vision D

RP(C.S.C)

Performance-TTR3799B-1225M

201505112CD

Tr1 S11 Log Mag 5.000dB/ Ref 0.000dB [F2]
Tr2 S21 Log Mag 10.00dB/ Ref 0.000dB [F2]

