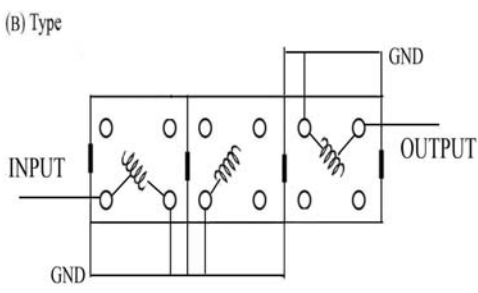
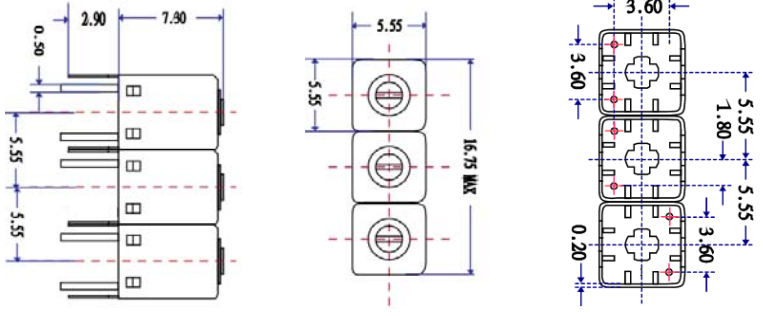


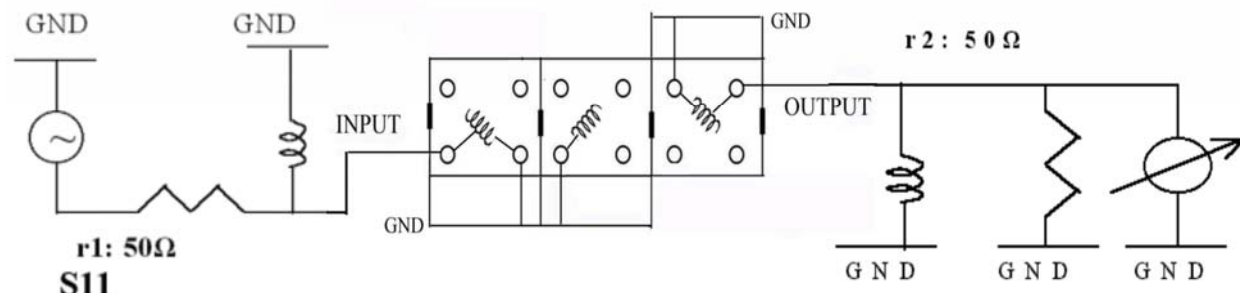
# VHF UHF Helical Filter Specification Sheet

Customer Name		Temwell's Part No.	TTR3773B-1225M
Approval No. /dated	201505106CD	Temwell's Print Name.	3773B 1225M
Work Instruction No.	201505106CD	Date	Nov.11.2015

<p>(1) Pin Position</p> 	<p>(2) Size Diagram</p> 
-----------------------------------------------------------------------------------------------------------	------------------------------------------------------------------------------------------------------------

69(3) Electric Character			
Item	Specify	Performance	
Center Freq.(Fo) +/- 0.5 %	1225 MHz	1225	MHz
Insertion Loss	Typ. 4.5 dB	3.92	dB
-3 dB Bandwidth	Typ. 20 MHz	28.0	MHz
Sensitivity (Attenuation)	Fo -50 MHz	Typ. 26	dBc
	Fo +50 MHz	Typ. 20	dBc
	Fo - ( )MHz	Typ.	dBc
	Fo +( )MHz	Typ.	dBc
Return Loss	Min. 12 dB	18.4	dB
Ripple	< 1 dB		dB
Impedance	In / Out : 50 Ω	In / Out : 50 Ω	
(4) Torque for Tuning Screw	> 60gf • cm		
(5) Temperature Condition:			
Operating Temperature	0°C ~ +60°C		
Storage Temperature	-20°C ~ +70°C		
(6) Input Power	> 0.5Watt		

(7) Measuring Circuit: ※ Easy to match Impedance S11/S22 50Ω by parallel with about(- -).



(Bottom View)

Approval C.Y.Chang	Supervisor C.K.Chang	Designer C.S.Chang	Aperture size 5R3S(3.8*3.65)(4.70) 5HW024RB3
-----------------------	-------------------------	-----------------------	----------------------------------------------------

# Performance-TTR3773B-1225M

## 201505106CD

Tr1 S11 Log Mag 5.000dB/ Ref 0.000dB [F2]  
Tr2 S21 Log Mag 10.00dB/ Ref 0.000dB [F2]

