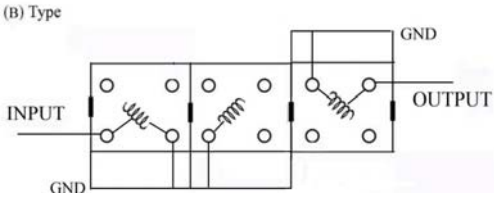
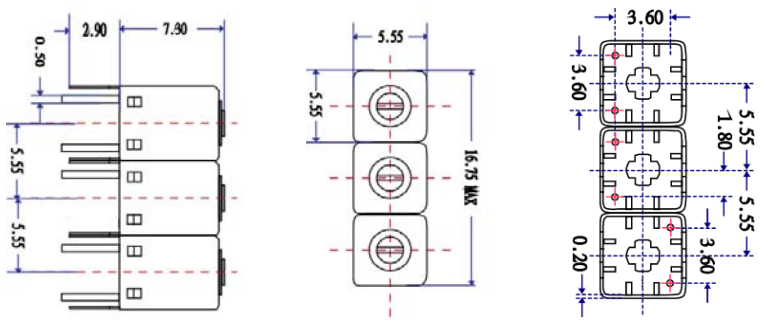


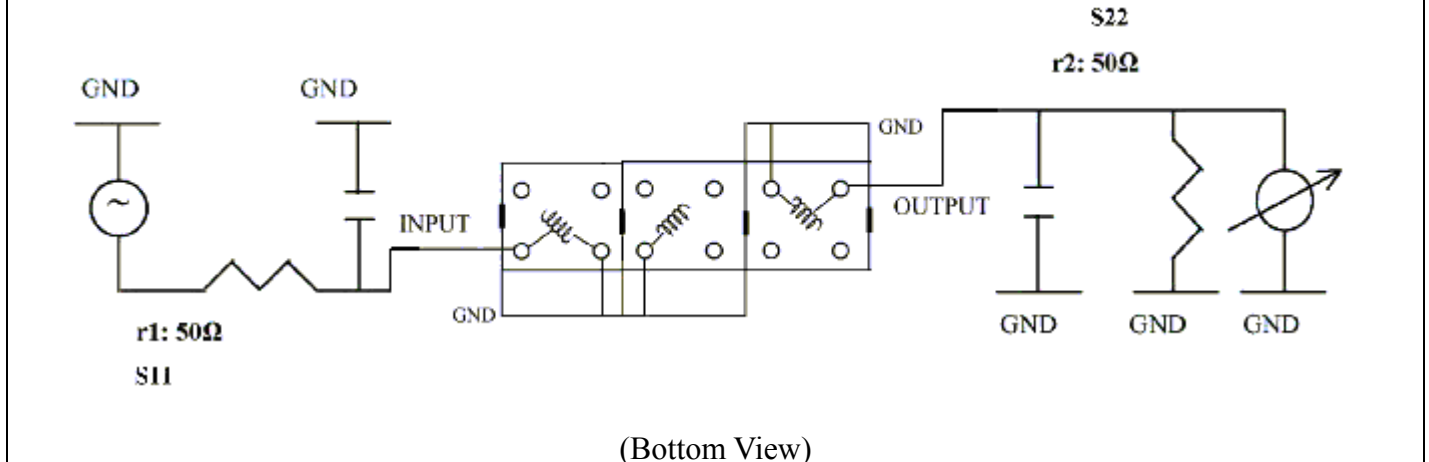
VHF UHF Helical Filter Specification Sheet

Customer Name		Temwell's Part No.	TTR3770B-980M
Approval No. /dated		Temwell's Print Name.	3770B 980M
Work Instruction No.	201505105CD	Date	Nov.10.2015

(1) Pin Position	(2) Size Diagram
	

69(3) Electric Character					
Item		Specify		Performance	
Center Freq.(Fo) +/- 0.5 %		980 MHz		980 MHz	
Insertion Loss		Typ. 4.5 dB		3.61 dB	
-3 dB Bandwidth		Typ. 15 MHz		26.7 MHz	
Sensitivity (Attenuation)	Fo -50 MHz	Typ. 33 dBc		38 dBc	
	Fo +50 MHz	Typ. 26 dBc		30 dBc	
	Fo - ()MHz	Typ. dBc		dBc	
	Fo + ()MHz	Typ. dBc		dBc	
Return Loss		Min. 12 dB		20.6 dB	
Ripple		< 1 dB		dB	
Impedance		In / Out : 50 Ω		In / Out : 50 Ω	
(4) Torque for Tuning Screw		> 60gf • cm			
(5) Temperature Condition:					
Operating Temperature		0°C ~ +60°C			
Storage Temperature		-20°C ~ +70°C			
(6) Input Power		> 0.5Watt			

(7) Measuring Circuit: ※ Easy to match Impedance S11/S22 50Ω by parallel with about(- -).

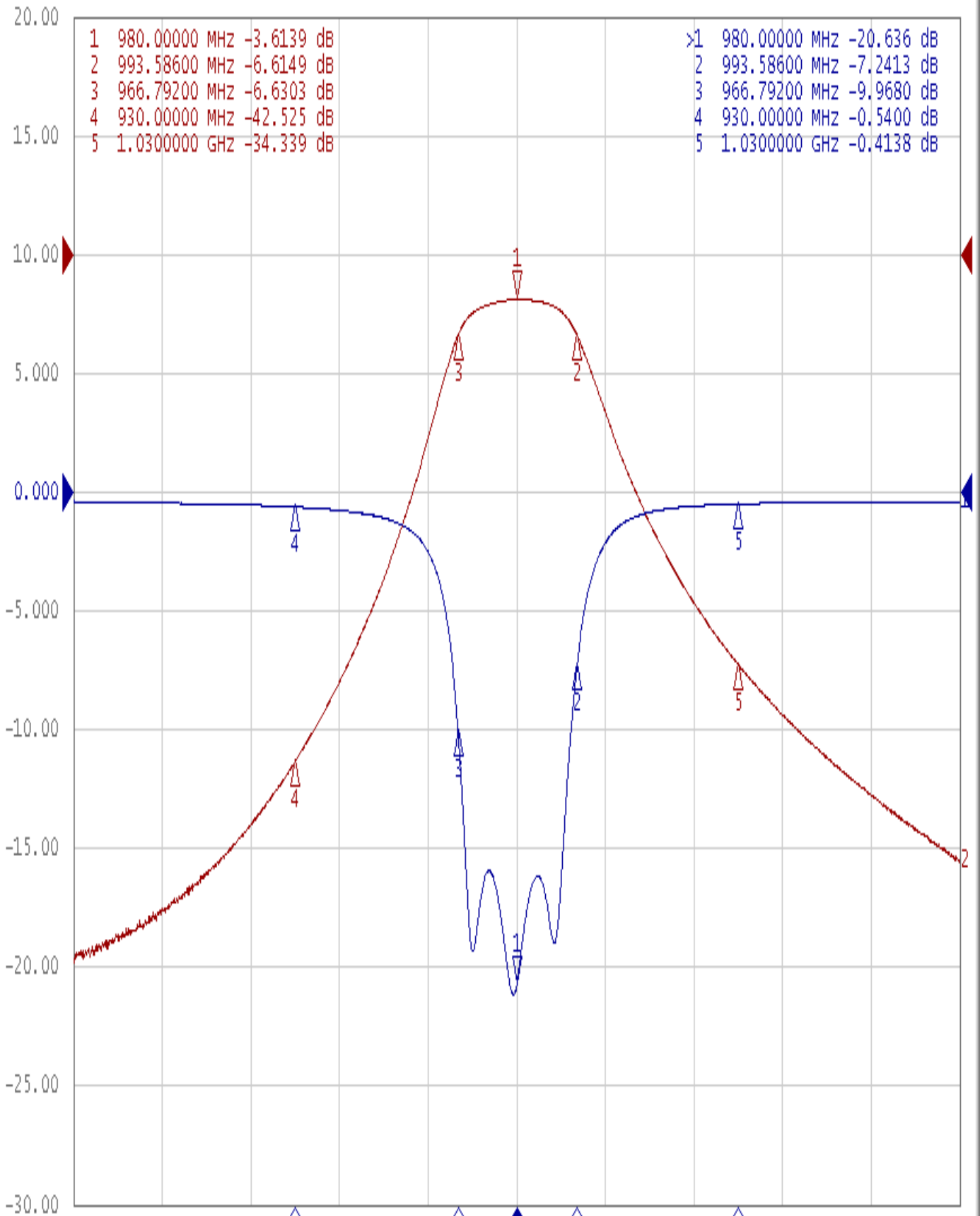


Approval	Supervisor	Designer	Aperture size
C.Y.Chang	C.K.Chang	C.S.Chang	5R3S(3.8*3.65)(4.68) 5HW024RB3

Performance-TTR3770B-980M

201505105CD

Tr1 S11 Log Mag 5.000dB/ Ref 0.000dB [F2]
Tr2 S21 Log Mag 10.00dB/ Ref 0.000dB [F2]



1 Center 980 MHz

IFBW 10 kHz

Span 200 MHz Cor