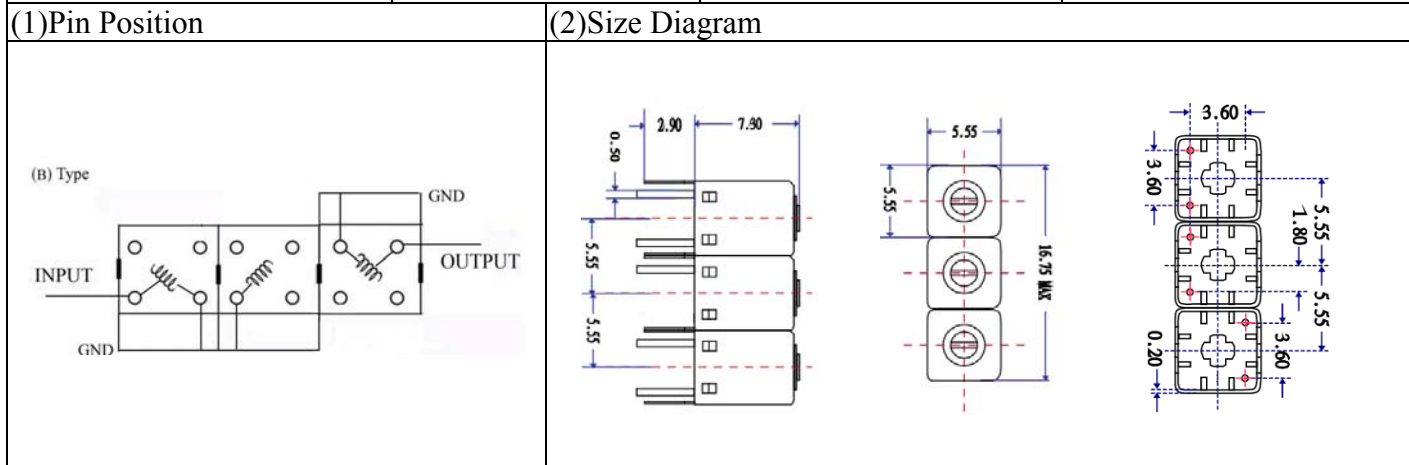


VHF UHF Helical Filter Specification Sheet

Customer Name		Temwell's Part No.	TTR3767B-960M
Approval No. /dated		Temwell's Print Name.	3767B 960M
Work Instruction No.	201505103CD	Date	Nov.06.2015



69(3) Electric Character

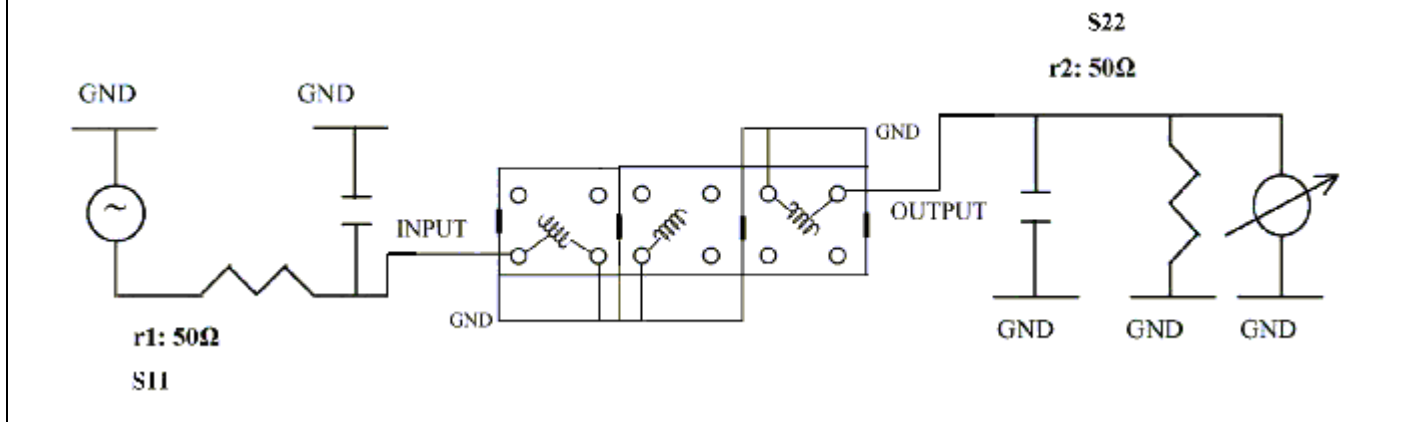
Item	Specify	Performance
Center Freq.(Fo) +/- 0.5 %	960 MHz	960 MHz
Insertion Loss	Typ. 4.5 dB	3.60 dB
-3 dB Bandwidth	Typ. 15 MHz	26.0 MHz
Sensitivity (Attenuation)	Fo -50 MHz	Typ. 34 dBc
	Fo +50 MHz	Typ. 26 dBc
	Fo - ()MHz	Typ. dBc
	Fo + ()MHz	Typ. dBc
Return Loss	Min. 12 dB	20.0 dB
Ripple	< 1 dB	dB
Impedance	In / Out : 50 Ω	In / Out : 50 Ω
(4) Torque for Tuning Screw	> 60gf • cm	

(5) Temperature Condition:

Operating Temperature	0°C ~ +60°C
Storage Temperature	-20°C ~ +70°C

(6) Input Power >0.5Watt

(7) Measuring Circuit: ※Easy to match Impedance S11/S22 50Ω by parallel with about(- -).



(Bottom View)

Approval C.Y.Chang	Supervisor C.K.Chang	Designer C.S.Chang	Aperture size 5R3S(3.8*3.65)(4.68) 5HW024RB3
-----------------------	-------------------------	-----------------------	--

TEMWELL CORPORATION

Performance-TTR3767B-960M

201505103CD

Tr1 S11 Log Mag 5.000dB/ Ref 0.000dB [F2]
Tr2 S21 Log Mag 10.00dB/ Ref 0.000dB [F2]

