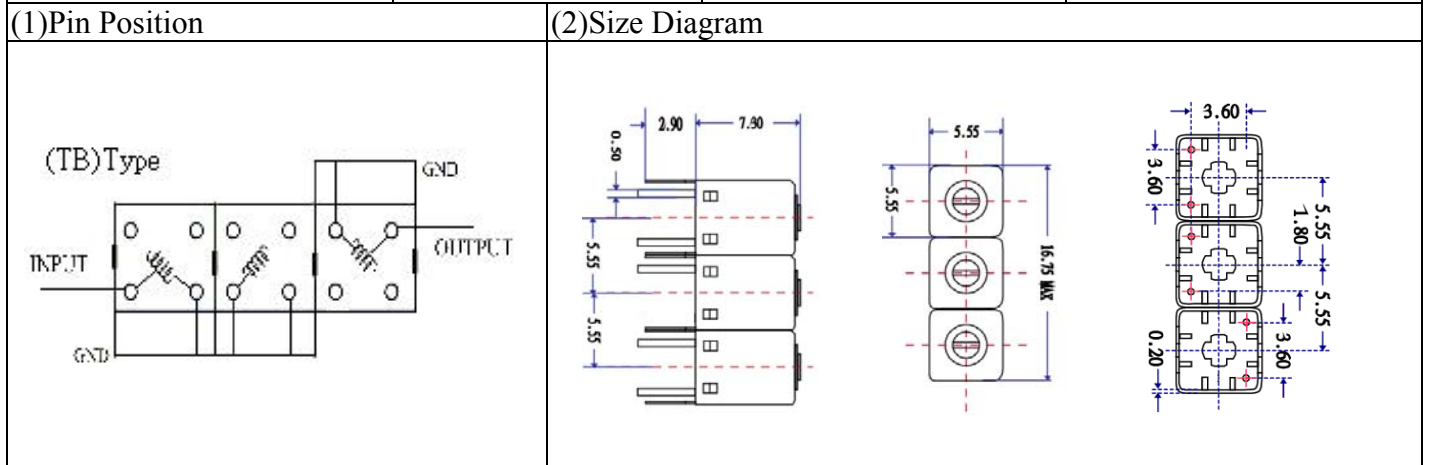


VHF UHF Helical Filter Specification Sheet

Customer Name		Temwell's Part No.	TTR3731TB-880M
Approval No. /dated		Temwell's Print Name.	3731TB 880M
Work Instruction No.	201505101CD	Date	Nov.02.2015



69(3) Electric Character

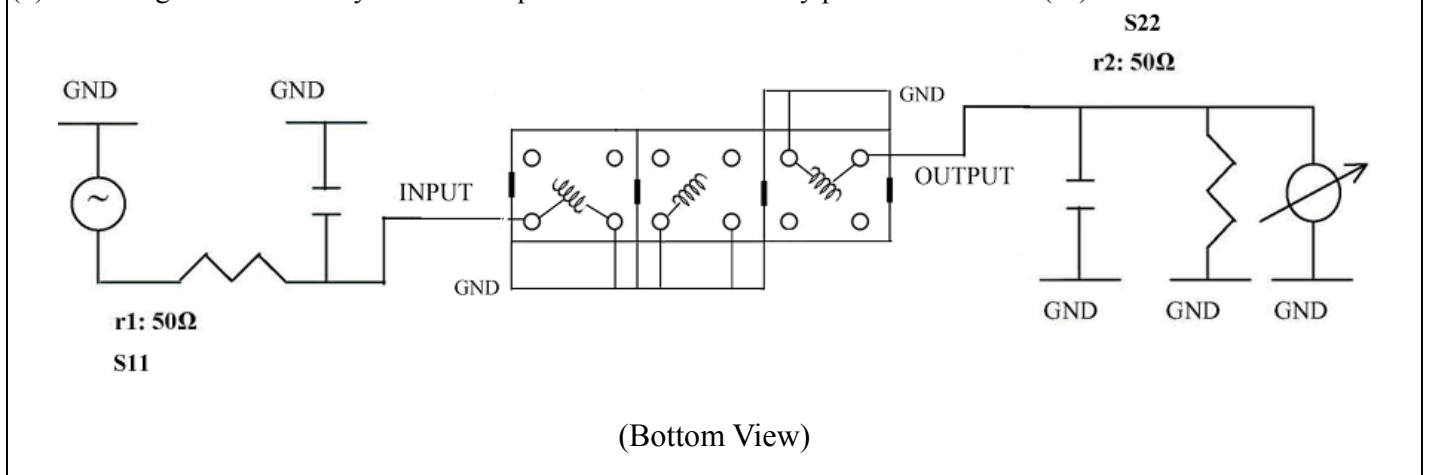
Item	Specify	Performance
Center Freq.(Fo) +/- 0.5 %	880 MHz	880 MHz
Insertion Loss	Typ. 3.5 dB	2.71 dB
-3 dB Bandwidth	Typ. 25 MHz	29.4 MHz
Sensitivity (Attenuation)	Fo -50 MHz	Typ. 29 dBc
	Fo +50 MHz	Typ. 22 dBc
	Fo - ()MHz	Typ. dBc
	Fo +()MHz	Typ. dBc
Return Loss	Min. 12 dB	35.0 dB
Ripple	< 1 dB	dB
Impedance	In / Out : 50 Ω	In / Out : 50 Ω
(4) Torque for Tuning Screw	> 60gf • cm	

(5) Temperature Condition:

Operating Temperature	0°C ~ +60°C
Storage Temperature	-20°C ~ +70°C

(6) Input Power

(7) Measuring Circuit: ※Easy to match Impedance S11/S22 50Ω by parallel with about(- -).	>0.5Watt
--	----------



Approval	Supervisor	Designer	Aperture size
C.Y.Chang	C.K.Chang	C.S.Chang	5R3S(3.8*4.2)(5.25) 5HW024RB3

TEMWELL CORPORATION

Performance-TTR3731TB-880M

201505101CD

Tr1 S11 Log Mag 5.000dB/ Ref 0.000dB [F2]
Tr2 S21 Log Mag 10.00dB/ Ref 0.000dB [F2]

