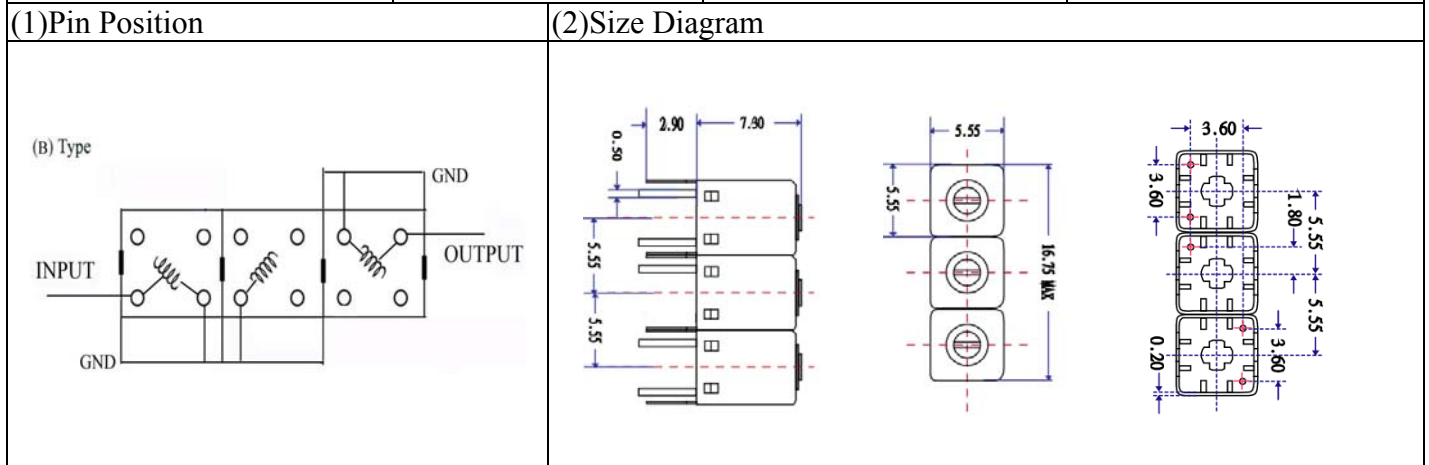


# VHF UHF Helical Filter Specification Sheet

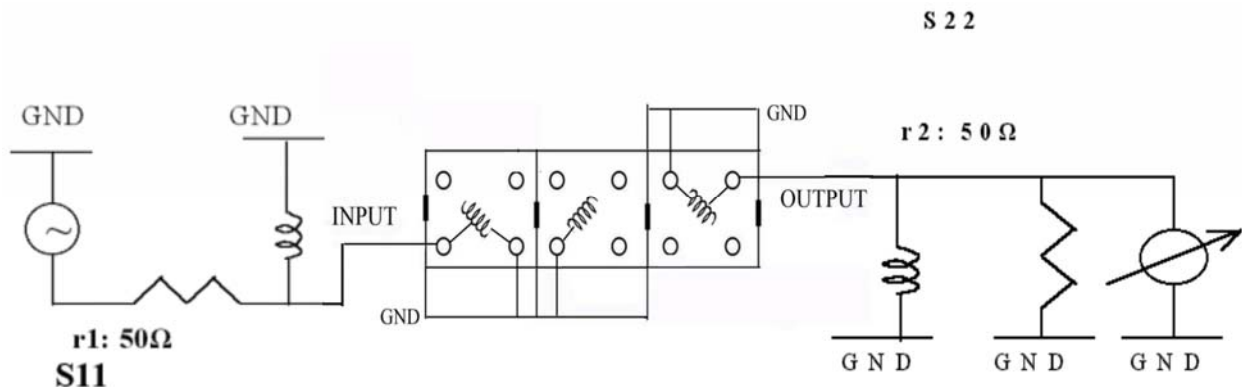
Customer Name		Temwell's Part No.	TTR3711B-825M
Approval No. /dated	201505098CD	Temwell's Print Name.	3711B 825M
Work Instruction No.	201505098CD	Date	Oct.26.2015



## 69(3) Electric Character

Item	Specify	Performance	
Center Freq.(Fo) +/- 0.5 %	825 MHz	825 MHz	
Insertion Loss	Typ. 3.5 dB	2.71 dB	
-3 dB Bandwidth	Typ. 27 MHz	29.7 MHz	
Sensitivity (Attenuation)	Fo -50 MHz	Typ. 25 dBc	31 dBc
	Fo +50 MHz	Typ. 22 dBc	24 dBc
	Fo - ( )MHz	Typ. dBc	dBc
	Fo +( )MHz	Typ. dBc	dBc
Return Loss	Min. 12 dB	19.2 dB	
Ripple	< 1 dB	dB	
Impedance	In / Out : 50 Ω	In / Out : 50 Ω	
(4) Torque for Tuning Screw	> 60gf · cm		
(5) Temperature Condition:			
Operating Temperature	0°C ~ +60°C		
Storage Temperature	-20°C ~ +70°C		
(6) Input Power	>0.5Watt		

(7) Measuring Circuit: ※Easy to match Impedance S11/S22 50Ω by parallel with about(- -).



(Bottom View)

Approval	Supervisor	Designer	Aperture size
C.Y.Chang	C.K.Chang	C.S.Chang	5R3S(3.8*4.2)(5.25) 5HW024RB3

TEMWELL CORPORATION

TEMWELL

Form10-5R3B Vision D

RP(C.S.C)

# Performance-TTR3711B-825M

## 201505098CD

Tr1 S11 Log Mag 5.000dB/ Ref 0.000dB [F2]  
Tr2 S21 Log Mag 10.00dB/ Ref 0.000dB [F2]

