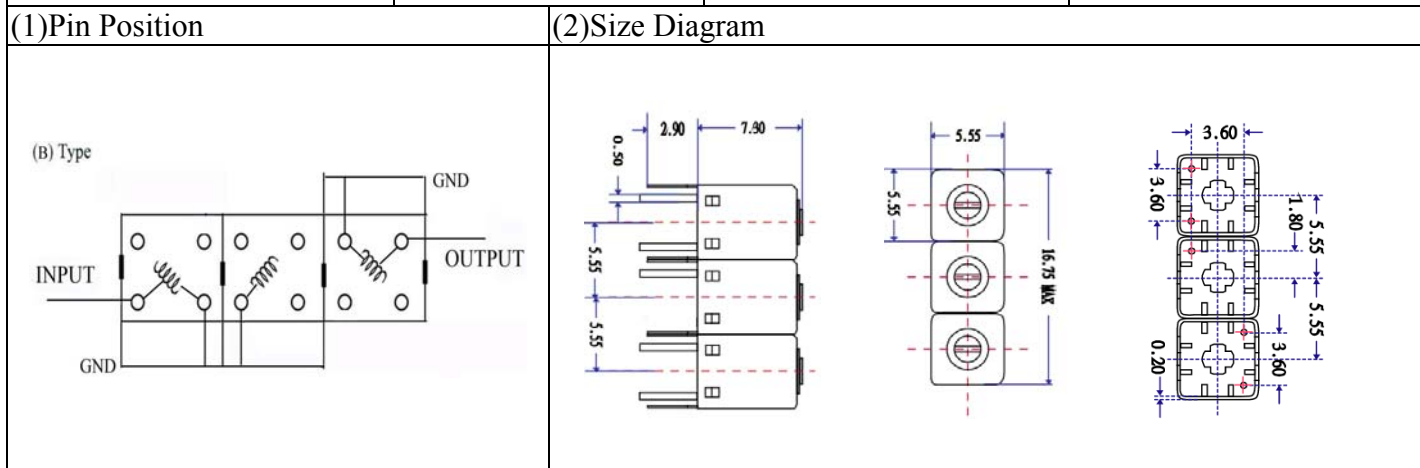


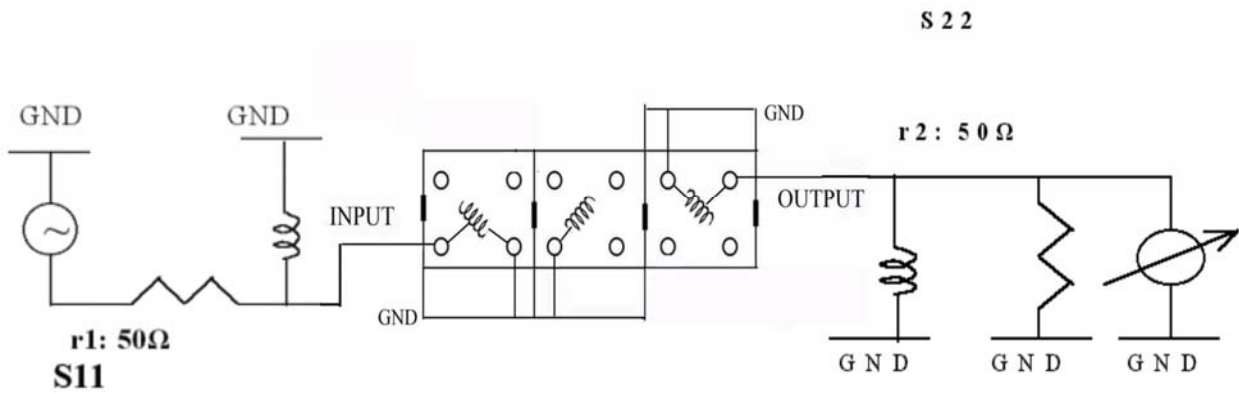
VHF UHF Helical Filter Specification Sheet

Customer Name		Temwell's Part No.	TTR3702B-775M
Approval No. /dated	201505097CD	Temwell's Print Name.	3702B 775M
Work Instruction No.	201505097CD	Date	Oct.20.2015



(3) Electric Character			
Item	Specify	Performance	
Center Freq.(Fo) +/- 0.5 %	775 MHz	775	MHz
Insertion Loss	Typ. 5.0 dB	3.84	dB
-3 dB Bandwidth	Typ. 17 MHz	21.4	MHz
Sensitivity (Attenuation)	Fo -50 MHz	Typ. 36	dBc
	Fo +50 MHz	Typ. 28	dBc
	Fo - ()MHz	Typ.	dBc
	Fo +()MHz	Typ.	dBc
Return Loss	Min. 12 dB	36.9	dB
Ripple	< 1 dB		dB
Impedance	In / Out : 50 Ω	In / Out : 50 Ω	
(4) Torque for Tuning Screw	> 60gf • cm		
(5) Temperature Condition:			
Operating Temperature	0°C ~ +60°C		
Storage Temperature	-20°C ~ +70°C		
(6) Input Power	> 0.5Watt		

(7) Measuring Circuit: ※Easy to match Impedance S11/S22 50Ω by parallel with about(-).
S 2 2



(Bottom View)

Approval	Supervisor	Designer	Aperture size
C.Y.Chang	C.K.Chang	C.S.Chang	5R3S(3.8*3.65)(4.68) 5HW024RB3

TEMWELL CORPORATION

TEMWELL

Form10-5R3B Vision D

RP(C.S.C)

Performance-TTR3702B-775M

201505097CD

Tr1 S11 Log Mag 5.000dB/ Ref 0.000dB [F2]
Tr2 S21 Log Mag 10.00dB/ Ref 0.000dB [F2]

