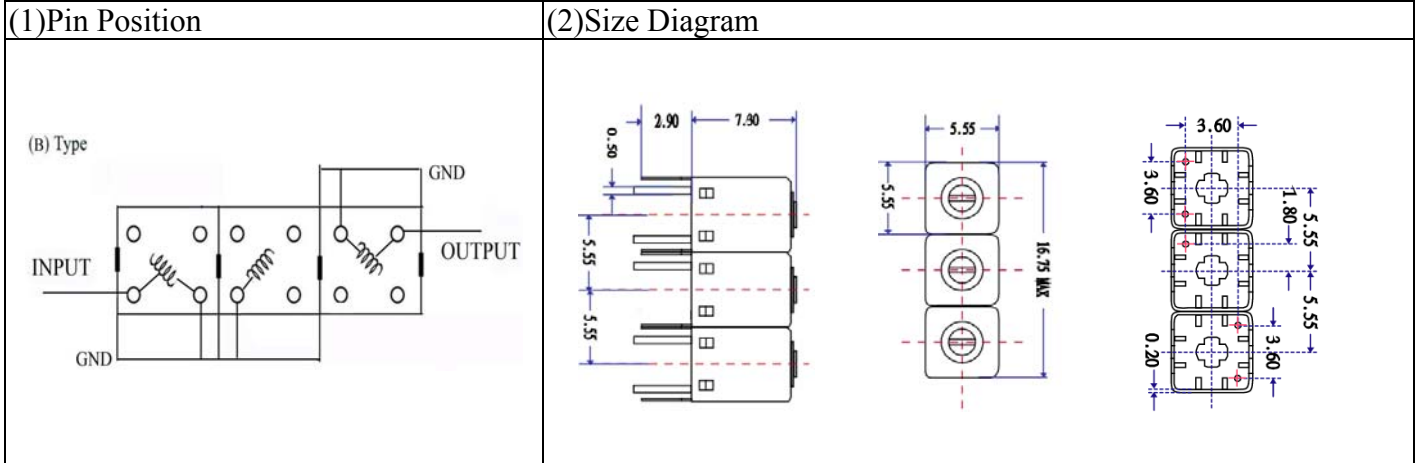
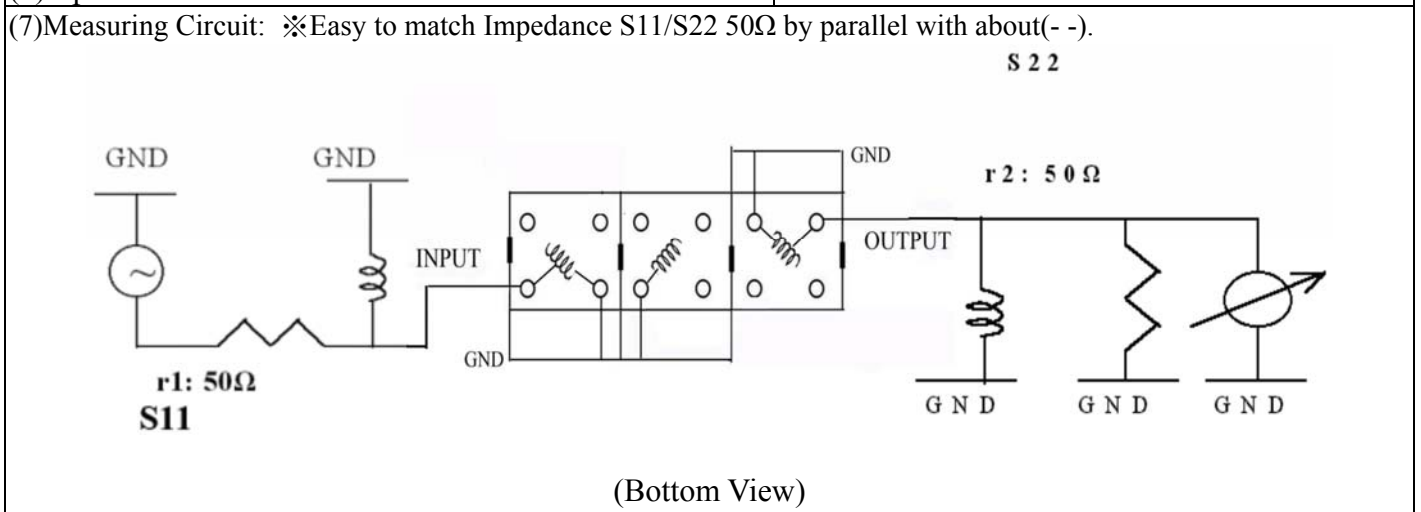


VHF UHF Helical Filter Specification Sheet

Customer Name		Temwell's Part No.	TTR3701B-775M
Approval No. /dated	201505096CD	Temwell's Print Name.	3701B 775M
Work Instruction No.	201505096CD	Date	Oct.19.2015



Item		Specify	Performance
Center Freq.(Fo) +/- 0.5 %		775 MHz	775 MHz
Insertion Loss		Typ. 3.5 dB	2.83 dB
-3 dB Bandwidth		Typ. 26 MHz	30.8 MHz
Sensitivity (Attenuation)	Fo -50 MHz	Typ. 30 dBc	33 dBc
	Fo +50 MHz	Typ. 23 dBc	25 dBc
	Fo - ()MHz	Typ. dBc	dBc
	Fo + ()MHz	Typ. dBc	dBc
Return Loss		Min. 12 dB	20.5 dB
Ripple		< 1 dB	dB
Impedance		In / Out : 50 Ω	In / Out : 50 Ω
(4) Torque for Tuning Screw		> 60gf • cm	
(5) Temperature Condition:			
Operating Temperature		0°C ~ +60°C	
Storage Temperature		-20°C ~ +70°C	
(6) Input Power		> 0.5Watt	



Approval C.Y.Chang	Supervisor C.K.Chang	Designer C.S.Chang	Aperture size 5R3S(3.8*4.2)(5.25) 5HW024RB3
-----------------------	-------------------------	-----------------------	---

Performance-TTR3701B-775M

201505096CD

Tr1 S11 Log Mag 5.000dB/ Ref 0.000dB [F2]
Tr2 S21 Log Mag 10.00dB/ Ref 0.000dB [F2]

