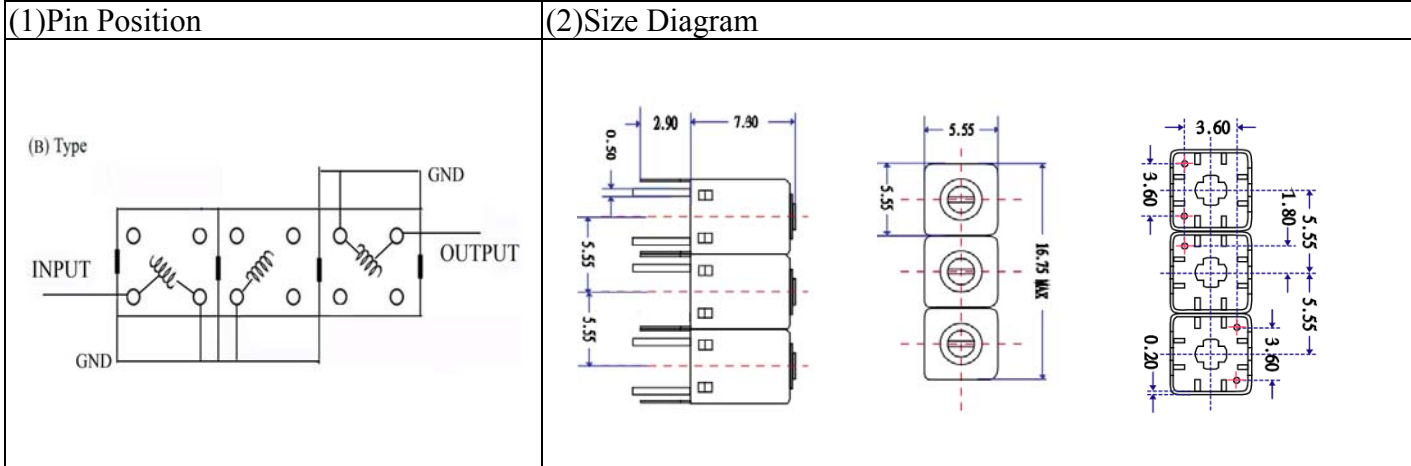


# VHF UHF Helical Filter Specification Sheet

Customer Name		Temwell's Part No.	TTR3692B-725M
Approval No. /dated	201505095CD	Temwell's Print Name.	3692B 725M
Work Instruction No.	201505095CD	Date	Oct.21.2015



69(3) Electric Character

Item	Specify	Performance
Center Freq.(Fo) +/- 0.5 %	725 MHz	725 MHz
Insertion Loss	Typ. 5.5 dB	4.60 dB
-3 dB Bandwidth	Typ. 14 MHz	17.2 MHz
Sensitivity (Attenuation)	Fo -50 MHz	Typ. 44 dBc
	Fo +50 MHz	Typ. 33 dBc
	Fo - ( )MHz	Typ. dBc
	Fo +( )MHz	Typ. dBc
Return Loss	Min. 12 dB	22.1 dB
Ripple	< 1 dB	dB
Impedance	In / Out : 50 Ω	In / Out : 50 Ω
(4) Torque for Tuning Screw	> 60gf • cm	

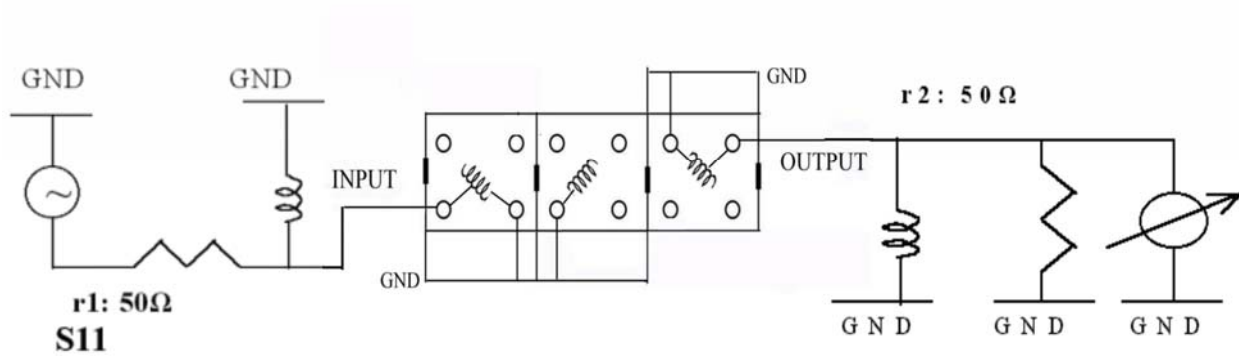
(5) Temperature Condition:

Operating Temperature	0°C ~ +60°C
Storage Temperature	-20°C ~ +70°C

(6) Input Power

>0.5Watt

(7) Measuring Circuit: ※Easy to match Impedance S11/S22 50Ω by parallel with about(- -).



(Bottom View)

Approval C.Y.Chang	Supervisor C.K.Chang	Designer C.S.Chang	Aperture size 5R3S(3.8*3.65)(4.68) 5HW024RB3
-----------------------	-------------------------	-----------------------	--

TEMWELL CORPORATION

# Performance-TTR3692B-725M

## 201505095CD

Tr1 S11 Log Mag 5.000dB/ Ref 0.000dB [F2]  
Tr2 S21 Log Mag 10.00dB/ Ref 0.000dB [F2]

