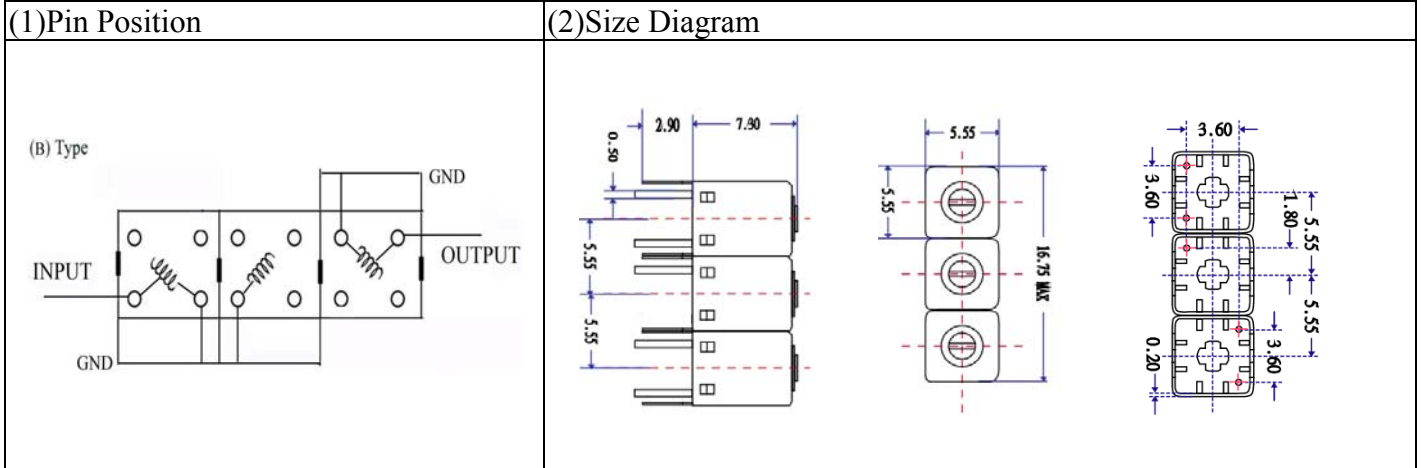


VHF UHF Helical Filter Specification Sheet

Customer Name		Temwell's Part No.	TTR3675B-625M
Approval No. /dated	201505091CD	Temwell's Print Name.	3675B 625M
Work Instruction No.	201505091CD	Date	Oct.27.2015

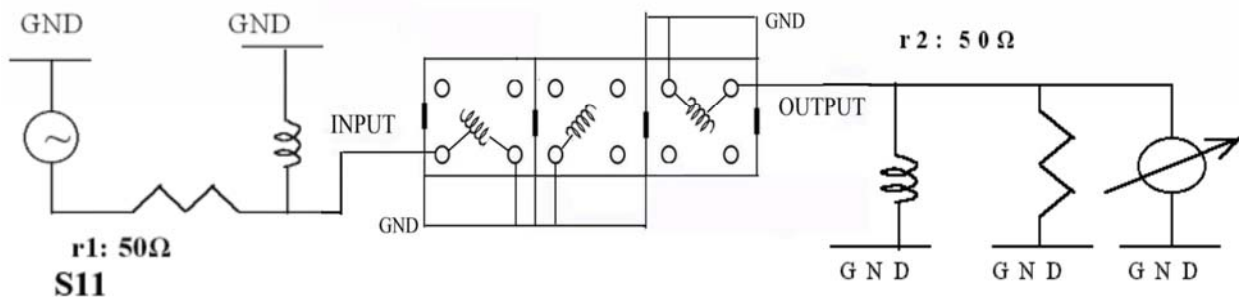


69(3) Electric Character

Item	Specify	Performance	
Center Freq.(Fo) +/- 0.5 %	625 MHz	625 MHz	
Insertion Loss	Typ. 5.5 dB	4.59 dB	
-3 dB Bandwidth	Typ. 11 MHz	15.1 MHz	
Sensitivity (Attenuation)	Fo -50 MHz	Typ. 47 dBc	50 dBc
	Fo +50 MHz	Typ. 39 dBc	42 dBc
	Fo - ()MHz	Typ. dBc	dBc
	Fo +()MHz	Typ. dBc	dBc
Return Loss	Min. 12 dB	21.3 dB	
Ripple	< 1 dB	dB	
Impedance	In / Out : 50 Ω	In / Out : 50 Ω	
(4) Torque for Tuning Screw	> 60gf • cm		
(5) Temperature Condition:			
Operating Temperature	0°C ~ +60°C		
Storage Temperature	-20°C ~ +70°C		
(6) Input Power	> 0.5Watt		

(7) Measuring Circuit: ※Easy to match Impedance S11/S22 50Ω by parallel with about(- -).

S 2 2



(Bottom View)

Approval	Supervisor	Designer	Aperture size
C.Y.Chang	C.K.Chang	C.S.Chang	5R3S(3.8*3.65)(4.69) 5HW024RB3

TEMWELL CORPORATION

TEMWELL

Form10-5R3B Vision D

RP(C.S.C)

Performance-TTR3675B-625M

201505091CD

Tr1 S11 Log Mag 5.000dB/ Ref 0.000dB [F2]
Tr2 S21 Log Mag 10.00dB/ Ref 0.000dB [F2]

