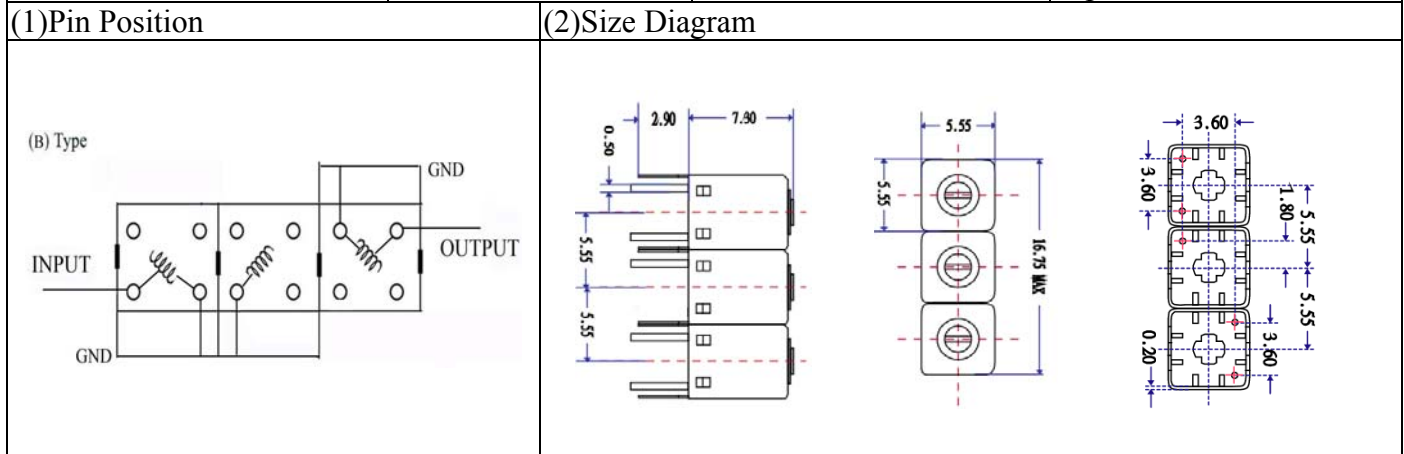
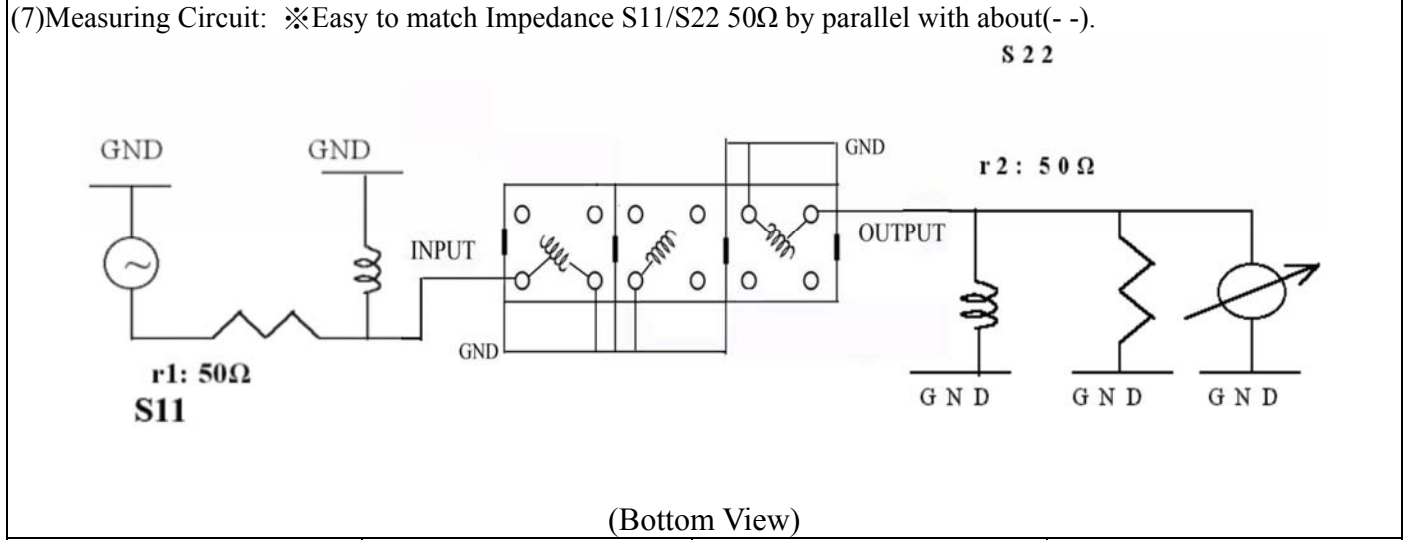


VHF UHF Helical Filter Specification Sheet

Customer Name		Temwell's Part No.	TTR3671B-612M
Approval No. /dated	201505088CD	Temwell's Print Name.	3671B 612M
Work Instruction No.	201505088CD	Date	Sep.30.2015



(3) Electric Character			
Item	Specify	Performance	
Center Freq.(Fo) +/- 0.5 %	612 MHz	612	MHz
Insertion Loss	Typ. 4.5 dB	2.84	dB
-3 dB Bandwidth	Typ. 20 MHz	24.8	MHz
Sensitivity (Attenuation)	Fo -50 MHz	Typ. 37	dBc
	Fo +50 MHz	Typ. 27	dBc
	Fo - ()MHz	Typ.	dBc
	Fo +()MHz	Typ.	dBc
Return Loss	Min. 12 dB	25.0	dB
Ripple	< 1 dB		dB
Impedance	In / Out : 50 Ω	In / Out : 50 Ω	
(4) Torque for Tuning Screw	> 60gf · cm		
(5) Temperature Condition:			
Operating Temperature	0°C ~ +60°C		
Storage Temperature	-20°C ~ +70°C		
(6) Input Power	>0.5Watt		



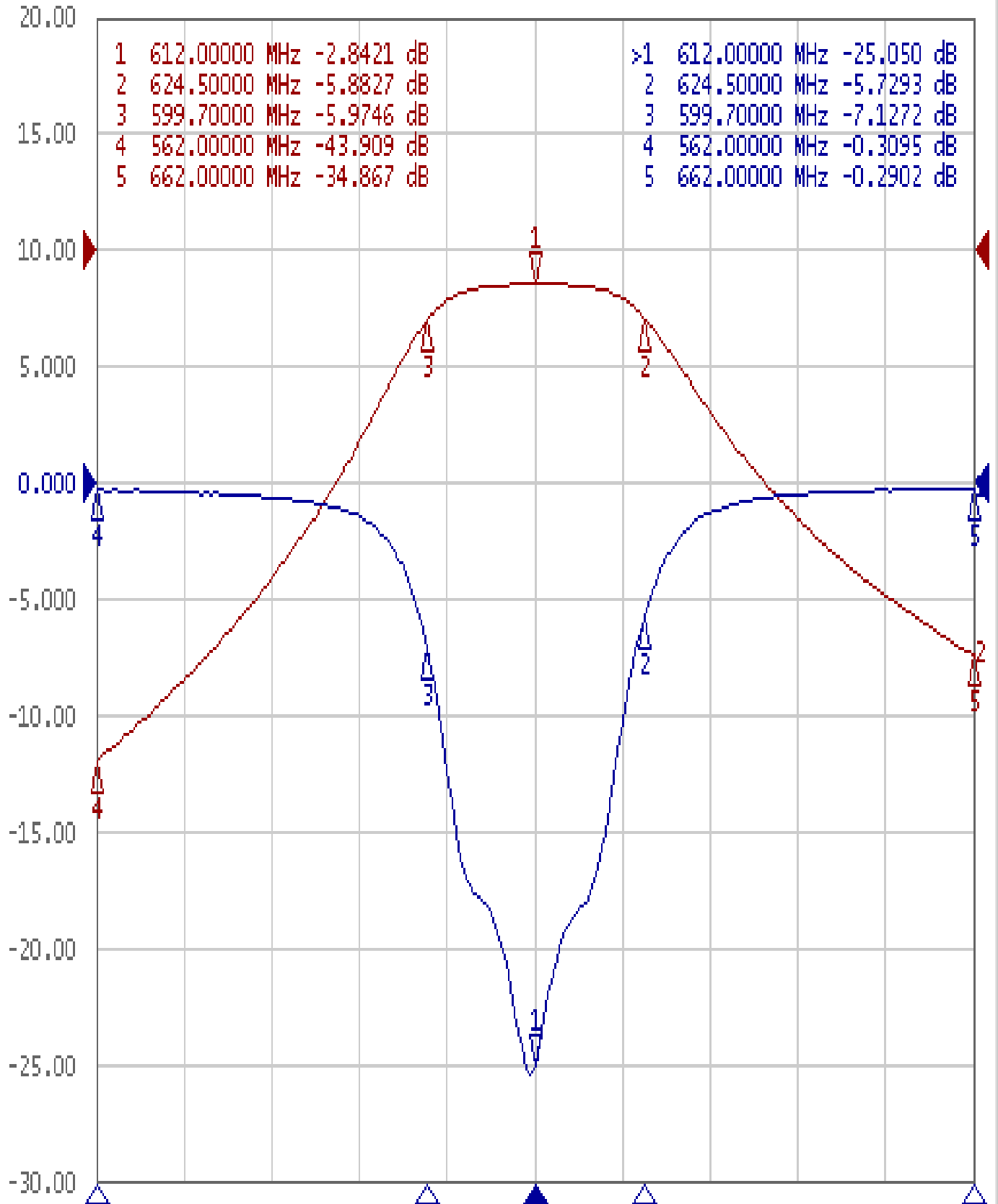
Approval C.Y.Chang	Supervisor C.K.Chang	Designer W.w.wang	Aperture size 5R3S(3.8*4.2)(5.18) 5HW024RB3
-----------------------	-------------------------	----------------------	---

Performance-TTR3671B-612M

201505088CD

Tr1 S11 Log Mag 5.000dB/ Ref 0.000dB [F2]

Tr2 S21 Log Mag 10.00dB/ Ref 0.000dB [F2]



1 Center 612 MHz

IFBW 70 kHz

Span 100 MHz Cor !