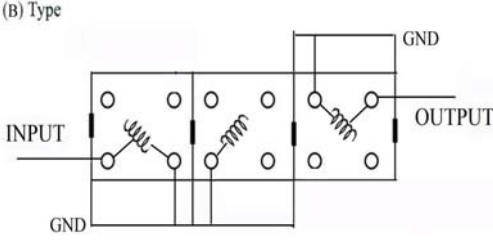
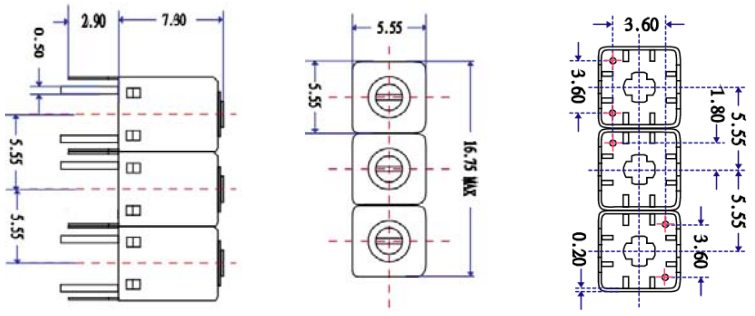


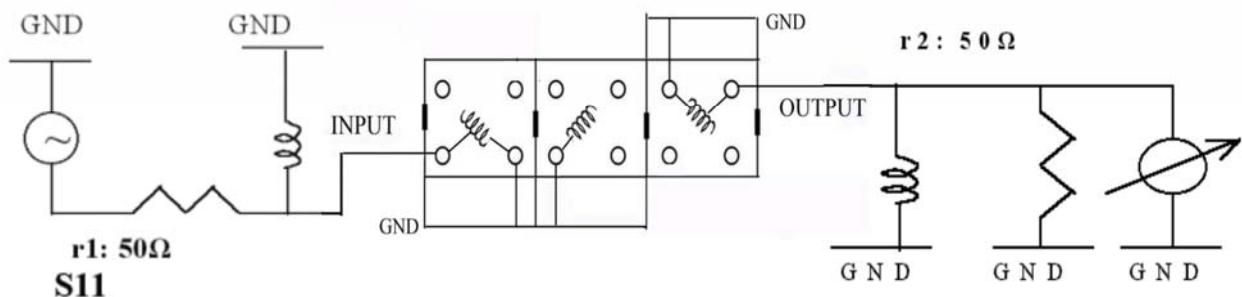
VHF UHF Helical Filter Specification Sheet

Customer Name		Temwell's Part No.	TTR3670B-610M
Approval No. /dated	201505087CD	Temwell's Print Name.	3670B 610M
Work Instruction No.	201505087CD	Date	Sep.25.2015

(1) Pin Position	(2) Size Diagram
	

(3) Electric Character			
Item		Specify	Performance
Center Freq.(Fo) +/- 0.5 %		610 MHz	610 MHz
Insertion Loss		Typ. 4.0 dB	2.90 dB
-3 dB Bandwidth		Typ. 14 MHz	20.4 MHz
Sensitivity (Attenuation)	Fo -50 MHz	Typ. 38 dBc	43 dBc
	Fo +50 MHz	Typ. 27 dBc	33 dBc
	Fo - ()MHz	Typ. dBc	dBc
	Fo +()MHz	Typ. dBc	dBc
Return Loss		Min. 12 dB	31.0 dB
Ripple		< 1 dB	dB
Impedance		In / Out : 50 Ω	In / Out : 50 Ω
(4) Torque for Tuning Screw		> 60gf • cm	
(5) Temperature Condition:			
Operating Temperature		0°C ~ +60°C	
Storage Temperature		-20°C ~ +70°C	
(6) Input Power		>0.5Watt	

(7) Measuring Circuit: ※Easy to match Impedance S11/S22 50Ω by parallel with about(-).
S 2 2



(Bottom View)

Approval	Supervisor	Designer	Aperture size
C.Y.Chang	C.K.Chang	C.H.Yeh	5R3S(3.8*3.65)(4.68) 5HW024RB3

TEMWELL CORPORATION

TEMWELL

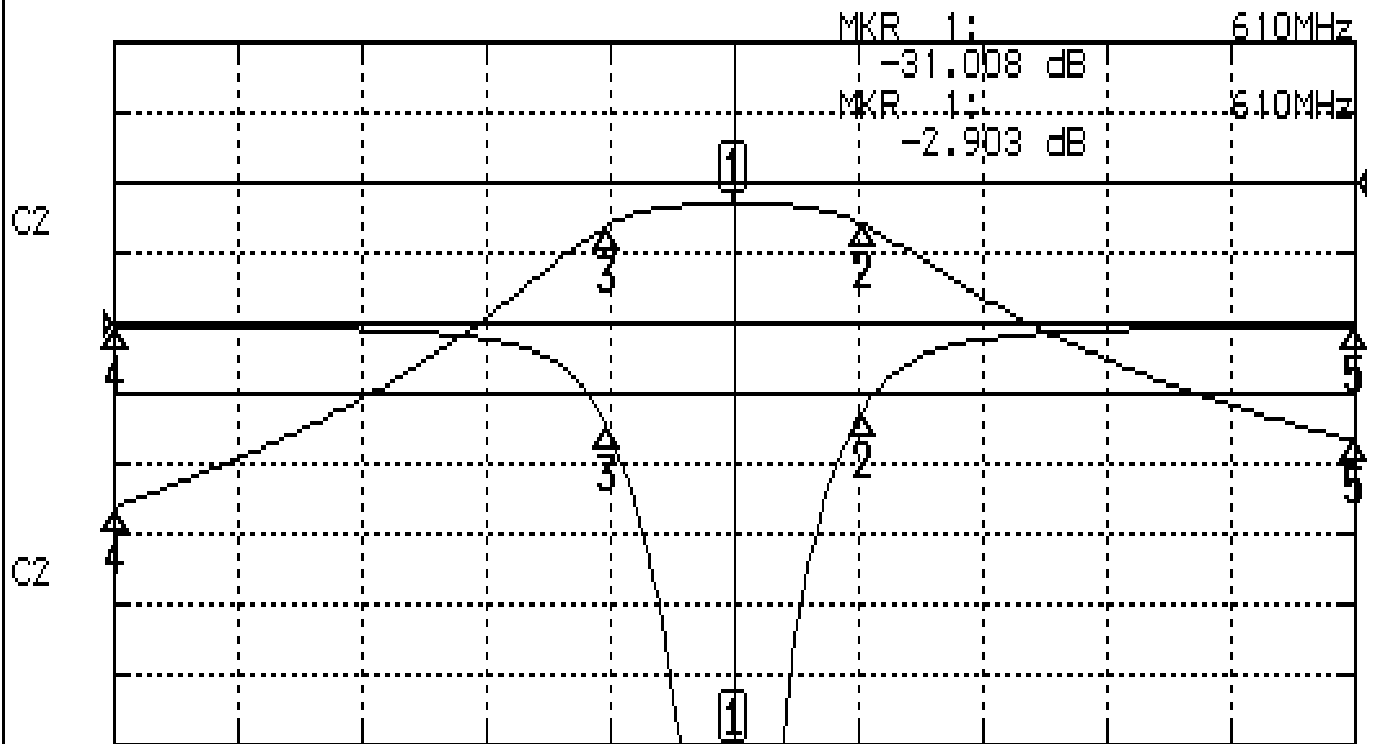
Form10-5R3B Vision D

RP(C.H.Y)

Performance-TTR3670B-610M

201505087CD

CH1 S11 LOG MAG REF 0.000 dB 5.000 dB/
CH2 S21 LOG MAG REF 0.000 dB 10.000 dB/



CENTER 610MHz

[10.00 dBm]

SPAN 100MHz

CH1 MARKER LIST

Marker	Frequency (MHz)	Magnitude (dB)
1:	610.000MHz	-31.008 dB
2:	620.333MHz	-6.292 dB
3:	599.916MHz	-7.603 dB
4:	560.000MHz	-0.202 dB
5:	660.000MHz	-0.209 dB
6:		
7:		
8:		
9:		
10:		

CH2 MARKER LIST

Marker	Frequency (MHz)	Magnitude (dB)
1:	610.000MHz	-2.904 dB
2:	620.333MHz	-1.924 dB
3:	599.916MHz	-1.934 dB
4:	560.000MHz	-46.204 dB
5:	660.000MHz	-36.688 dB
6:		
7:		
8:		
9:		
10:		