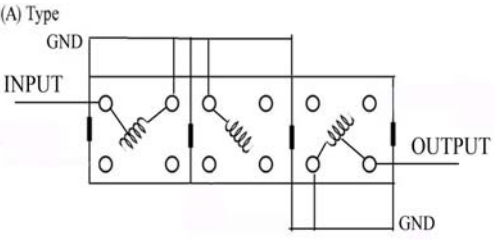
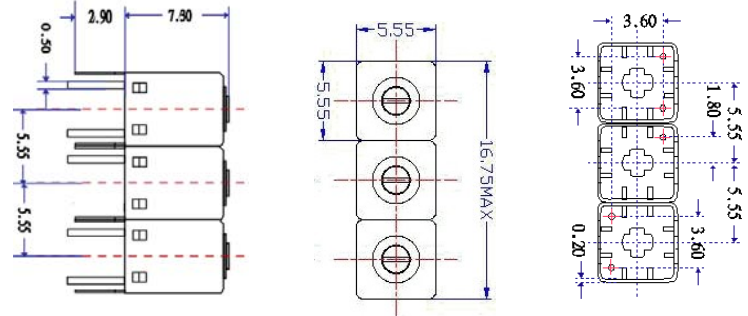


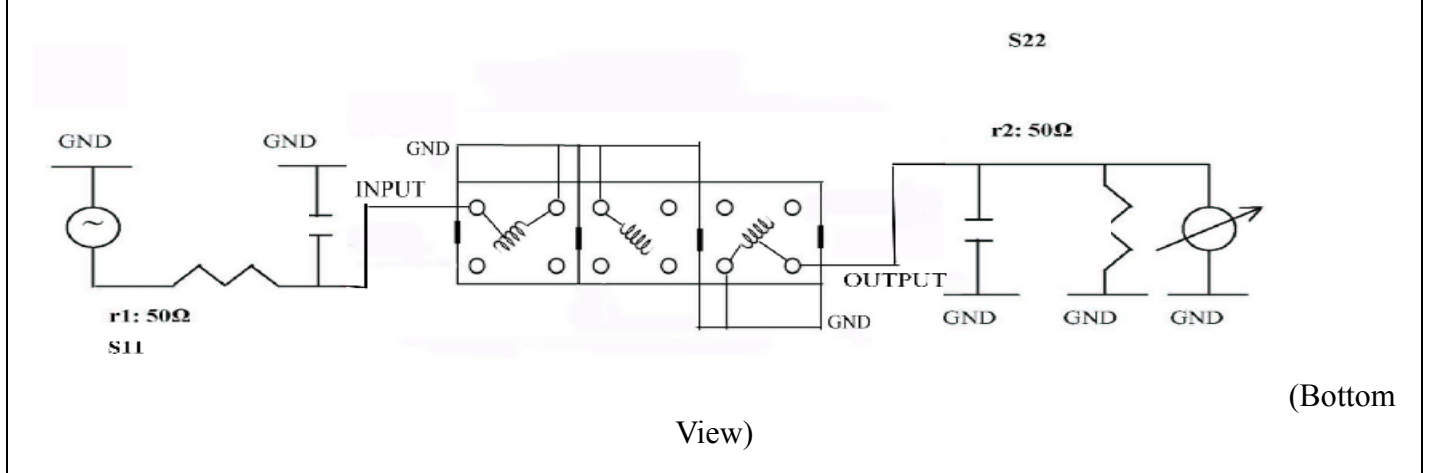
VHF UHF Helical Filter Specification Sheet

Customer Name		Temwell's Part No.	TTR3635A-440M
Approval No. /dated	201505075CD	Temwell's print name	3635A 440M
Work Instruction No.	201505075CD	Date	Jul.06.2015

(1) Pin Position	(2) Size Diagram
 <p>(Bottom View)</p>	

(3) Electric Characteristic					
Item		Specify		Performance	
Center Freq.(Fo) +/- 0.5 %		440 MHz		440 MHz	
Insertion Loss		Typ. 5.0 dB		4.34 dB	
-3 dB Bandwidth		Typ. 9 MHz		13.1 MHz	
Sensitivity (Attenuation)	Fo - 50 MHz	Typ. 43 dBc		46 dBc	
	Fo + 50 MHz	Typ. 47 dBc		50 dBc	
	Fo - ()MHz	Typ. dBc		dBc	
	Fo + ()MHz	Typ. dBc		dBc	
Return Loss		Min. 12 dB		23.8 dB	
Ripple		< 1 dB		dB	
Impedance		In / Out : 50 Ω		In / Out : 50 Ω	
(4) Torque for Tuning Screw		> 60gf • cm			
(5) Temperature Condition:					
Operating Temperature		0°C ~ +60°C			
Storage Temperature		-20°C ~ +70°C			
(6) Input Power		> 0.5 Watt			

(7) Measuring Circuit: ※Easy to match Impedance S11/S22 50Ω/ by parallel with about(-) / (-).



Approval	Supervisor	Designer	Aperture size
C.Y.Chang	C.K.Chang	W.W.Wang	5R3S(3.8*3.65)(4.65) 5HW024RB3

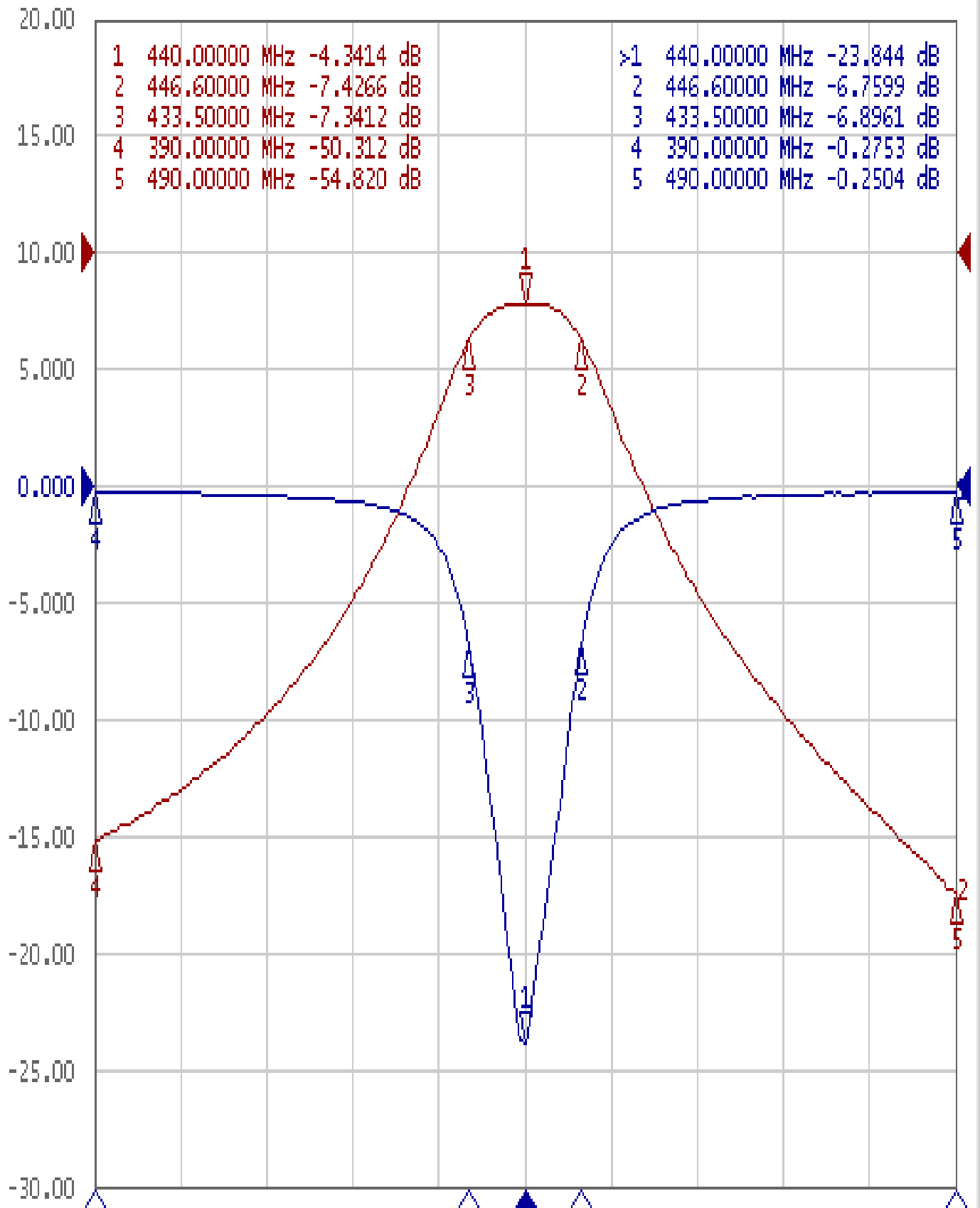
TEMWELL CORPORATION

Performance-TTR3635A-440M

201505075CD

Tr1 S11 Log Mag 5.000dB/ Ref 0.000dB [F2]

Tr2 S21 Log Mag 10.00dB/ Ref 0.000dB [F2]



1 Center 440 MHz

IFBW 70 kHz

Span 100 MHz Cor !