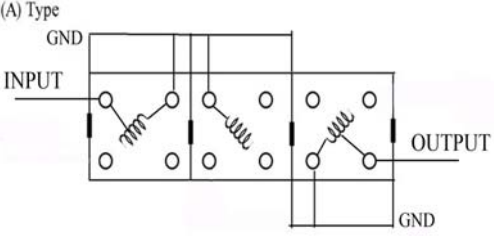
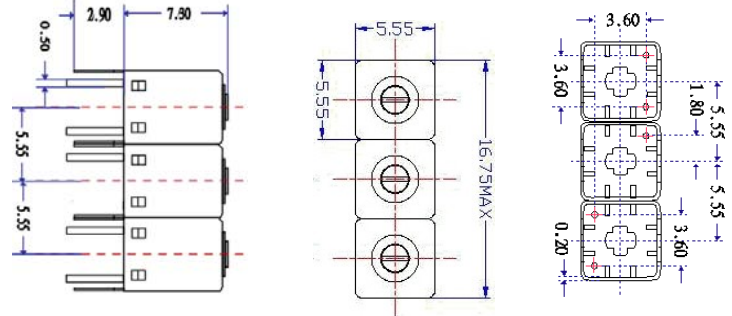
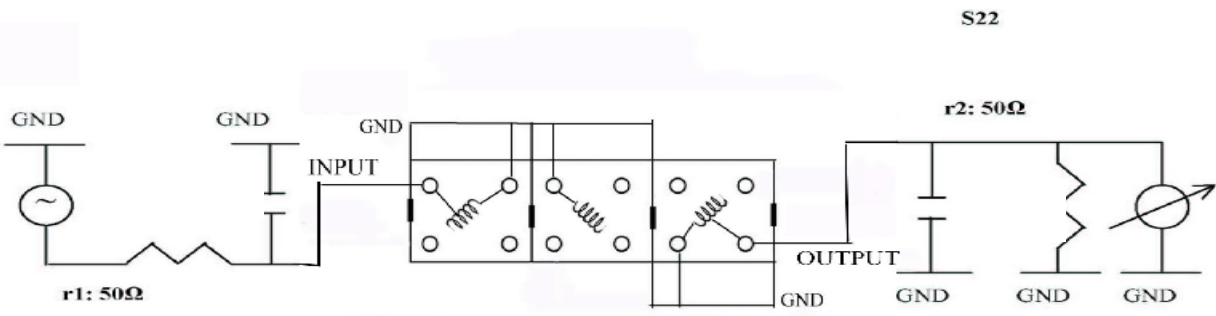


VHF UHF Helical Filter Specification Sheet

Customer Name		Temwell's Part No.	TTR3634A-420M
Approval No. /dated	201505074CD	Temwell's print name	3634A 420M
Work Instruction No.	201505074CD	Date	Jul.07.2015

(1) Pin Position	(2) Size Diagram
 <p>(Bottom View)</p>	

(3) Electric Characteristic					
Item		Specify		Performance	
Center Freq.(Fo) +/- 0.5 %		420 MHz		420 MHz	
Insertion Loss		Typ. 5.5 dB		3.63 dB	
-3 dB Bandwidth		Typ. 11 MHz		15.0 MHz	
Sensitivity (Attenuation)	Fo - 50 MHz	Typ. 44 dBc		47 dBc	
	Fo + 50 MHz	Typ. 43 dBc		46 dBc	
	Fo - ()MHz	Typ. dBc		dBc	
	Fo + ()MHz	Typ. dBc		dBc	
Return Loss		Min. 12 dB		19.8 dB	
Ripple		< 1 dB		dB	
Impedance		In / Out : 50 Ω		In / Out : 50 Ω	
(4) Torque for Tuning Screw		> 60gf • cm			
(5) Temperature Condition:					
Operating Temperature		0°C ~ +60°C			
Storage Temperature		-20°C ~ +70°C			
(6) Input Power		> 0.5 Watt			

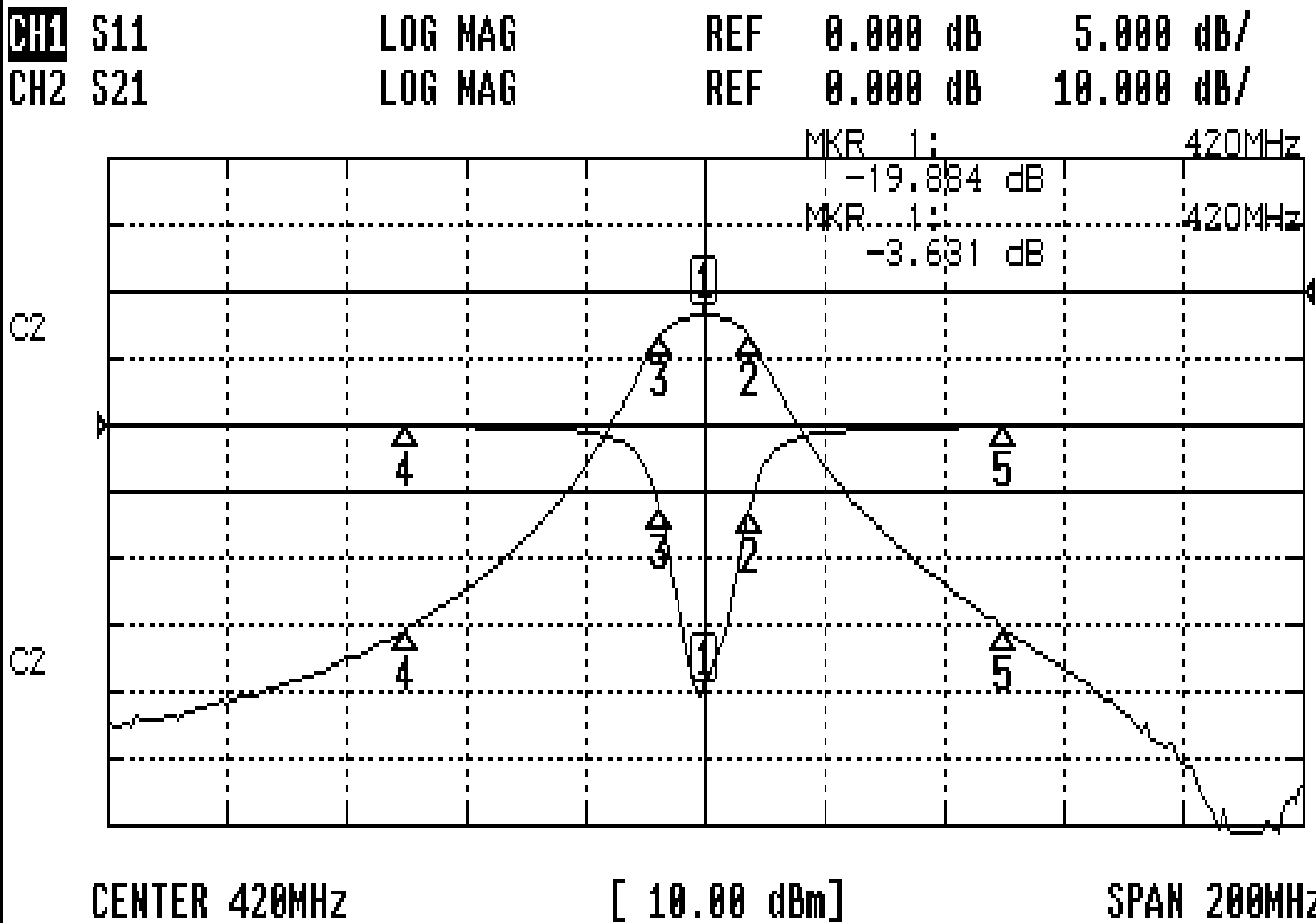
(7) Measuring Circuit: ※Easy to match Impedance S11/S22 50Ω/ by parallel with about(--)/ (--).	
	
(Bottom View)	

Approval	Supervisor	Designer	Aperture size
C.Y.Chang	C.K.Chang	J.Yang	5R3S(3.8*3.65)(4.65) 5HW024RB3

TEMWELL CORPORATION

Performance-TTR3634A-420M

201505074CD



CH1 MARKER LIST

1:	420.000MHz	-19.884	dB
2:	427.500MHz	-16.373	dB
3:	412.500MHz	-16.319	dB
4:	370.000MHz	-0.093	dB
5:	470.000MHz	-0.107	dB

10:

CH2 MARKER LIST

1:	420.000MHz	-3.631	dB
2:	427.500MHz	-1.783	dB
3:	412.500MHz	-1.746	dB
4:	370.000MHz	-50.605	dB
5:	470.000MHz	-50.319	dB

10: