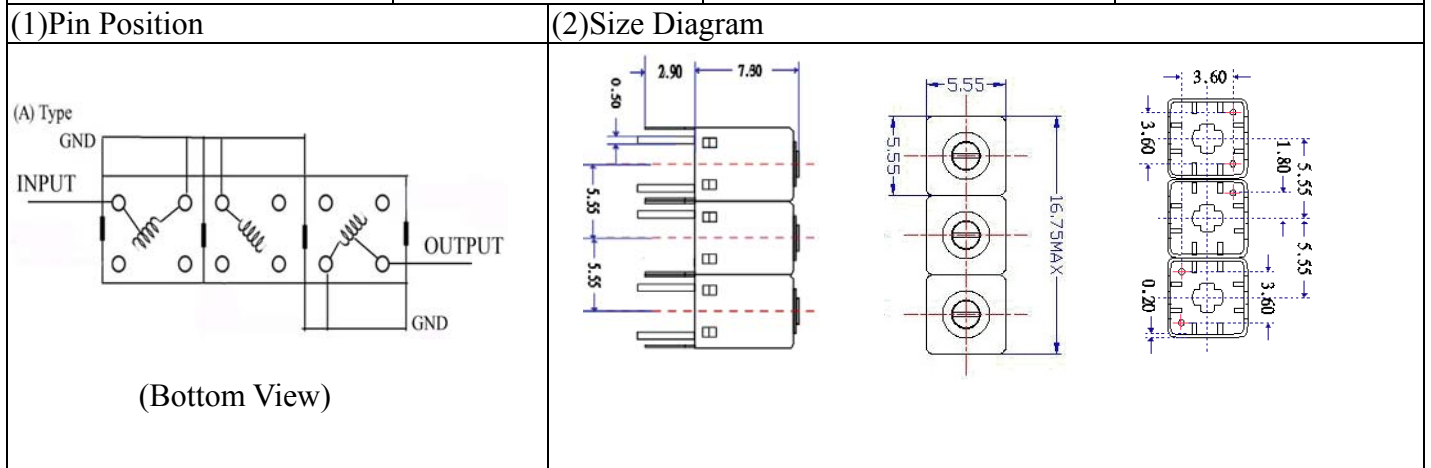
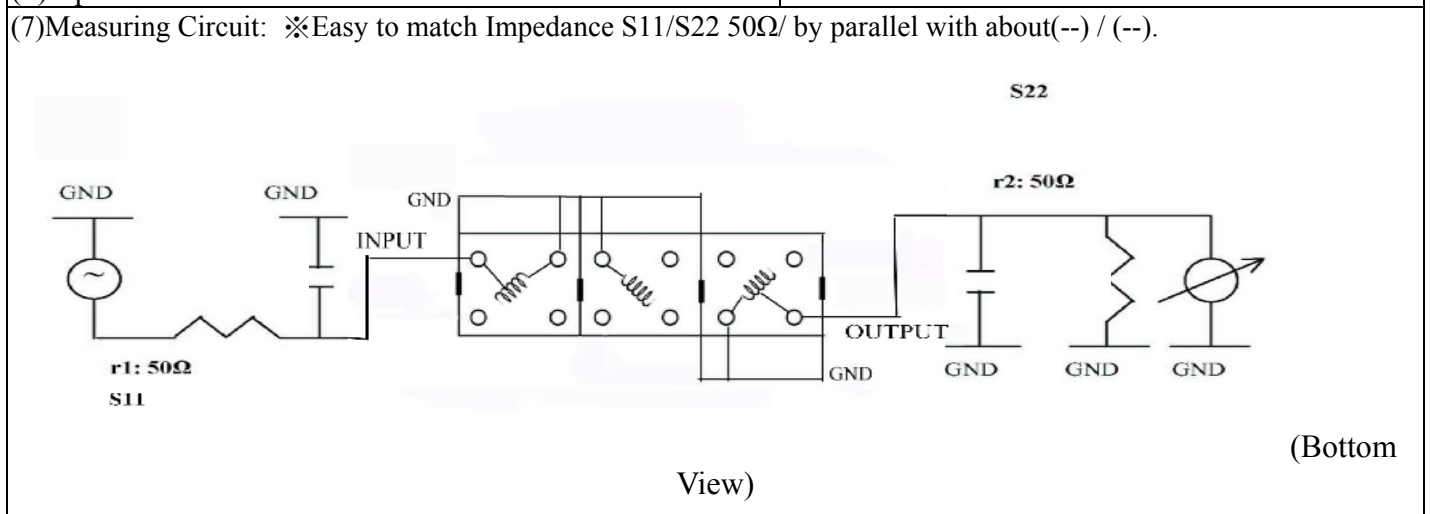


VHF UHF Helical Filter Specification Sheet

Customer Name		Temwell's Part No.	TTR3631A-460M
Approval No. /dated	201505071CD	Temwell's print name	3631A 460M
Work Instruction No.	201505071CD	Date	Jul.06.2015



(3) Electric Characteristic					
Item		Specify		Performance	
Center Freq.(Fo) +/- 0.5 %		460 MHz		460 MHz	
Insertion Loss		Typ. 4.5 dB		3.33 dB	
-3 dB Bandwidth		Typ. 10 MHz		15.5 MHz	
Sensitivity (Attenuation)	Fo - 50 MHz	Typ. 41 dBc		44 dBc	
	Fo + 50 MHz	Typ. 41 dBc		44 dBc	
	Fo - ()MHz	Typ. dBc		dBc	
	Fo + ()MHz	Typ. dBc		dBc	
Return Loss		Min. 12 dB		28.2 dB	
Ripple		< 1 dB		dB	
Impedance		In / Out : 50 Ω		In / Out : 50 Ω	
(4) Torque for Tuning Screw		> 60gf · cm			
(5) Temperature Condition:					
Operating Temperature		0°C ~ +60°C			
Storage Temperature		-20°C ~ +70°C			
(6) Input Power		> 0.5 Watt			



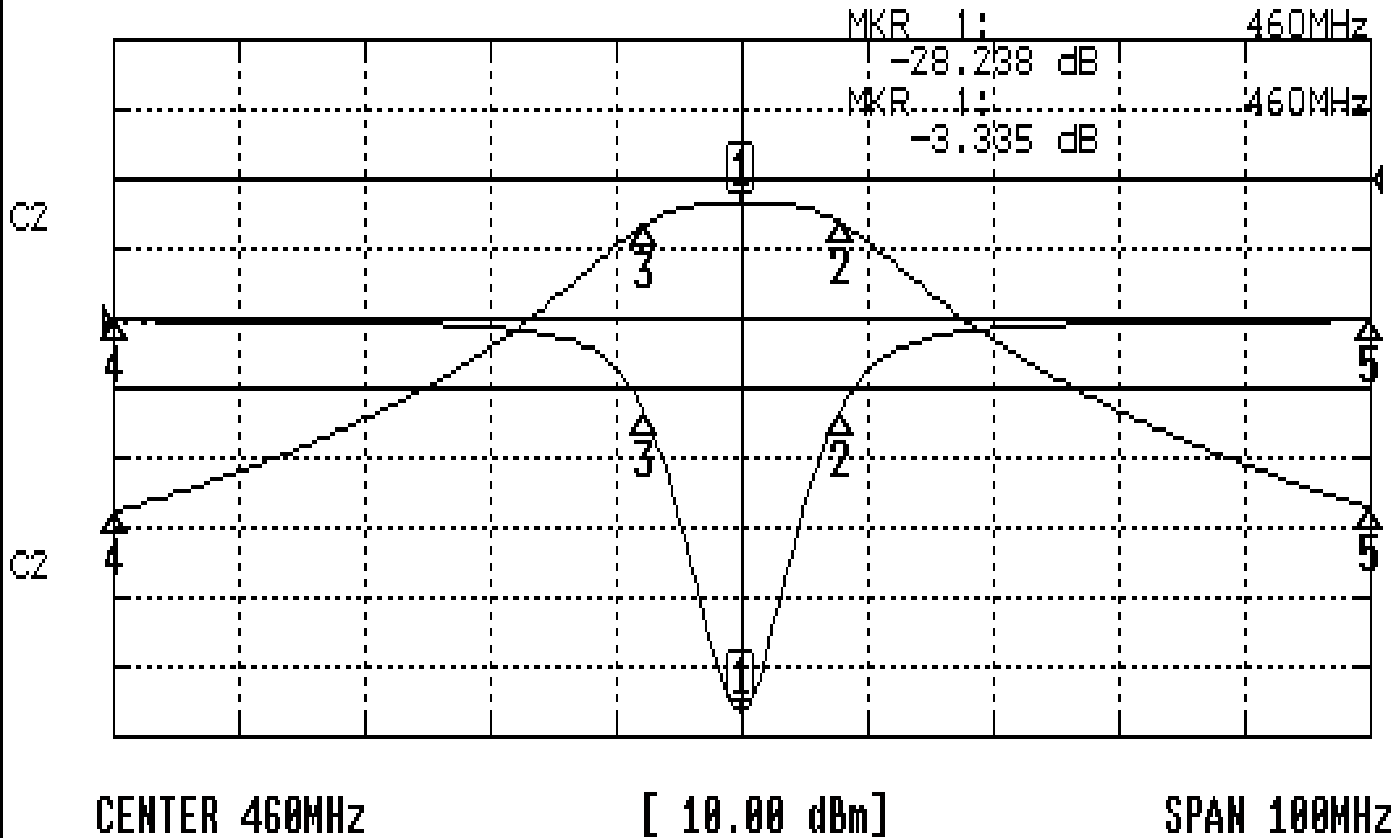
Approval C.Y.Chang	Supervisor C.K.Chang	Designer J.Yang	Aperture size 5R3S(3.8*3.65)(4.66) 5HW024RB3
-----------------------	-------------------------	--------------------	--

TEMWELL CORPORATION

Performance-TTR3631A-460M

201505071CD

CH1 S11 LOG MAG REF 0.000 dB 5.000 dB/
CH2 S21 LOG MAG REF 0.000 dB 10.000 dB/



CH1 MARKER LIST

1:	460.000MHz	-28.271 dB
2:	467.916MHz	-6.539 dB
3:	452.333MHz	-6.740 dB
4:	410.000MHz	-0.134 dB
5:	510.000MHz	-0.135 dB

CH2 MARKER LIST

1:	460.000MHz	-3.335 dB
2:	467.916MHz	-6.304 dB
3:	452.333MHz	-6.371 dB
4:	410.000MHz	-47.705 dB
5:	510.000MHz	-47.307 dB