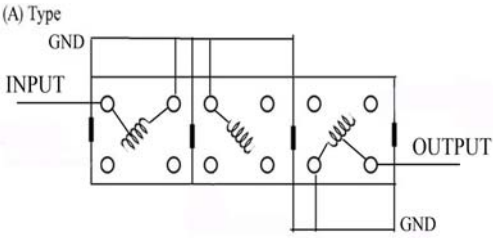
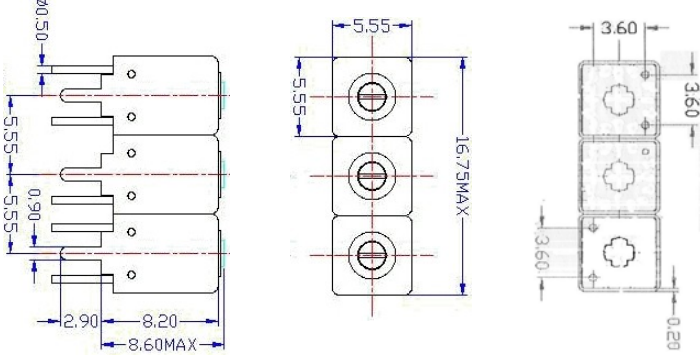


VHF UHF Helical Filter Specification Sheet

Customer Name		Temwell's Part No.	TTR3630A-400M
Approval No. /dated	20201055DC	Acceptable Specify Fo. Range	350~400MHz
Work Instruction No.	20201055DC	Date	2002.08.08

<p>(1) Pin Position</p>  <p style="text-align: center;">(Bottom View)</p>	<p>(2) Size Diagram</p> 
--	--

(3) Electric Character

Item	Specify	Performance	
Center Freq.(Fo) +/- 0.5 %	400 MHz	400 MHz	
Tunable Range:	400±10 MHz	400±10 MHz	
Insertion Loss	Typ. 6.0 dB	5.4 dB	
-3 dB Bandwidth	Typ. 11 MHz	15 MHz	
Sensitivity (Attenuation)	Fo - 30 MHz	Typ. 28 dBc	31 dBc
	Fo + 30 MHz	Typ. 26 dBc	29 dBc
	Fo - ()MHz	Typ. dBc	dBc
	Fo +()MHz	Typ. dBc	dBc
Return Loss	Min. 12 dB	18 dB	
Ripple	< 1 dB	dB	
Impedance	In / Out : 50 Ω	In / Out : 50 Ω	

(4) Torque for Tuning Screw	> 60gf • cm
-----------------------------	-------------

(5) Temperature Condition:

Operating Temperature	-30°C ~ +70°C
Storage Temperature	-30°C ~ +80°C

(6) Input Power	> 1Watt
-----------------	---------

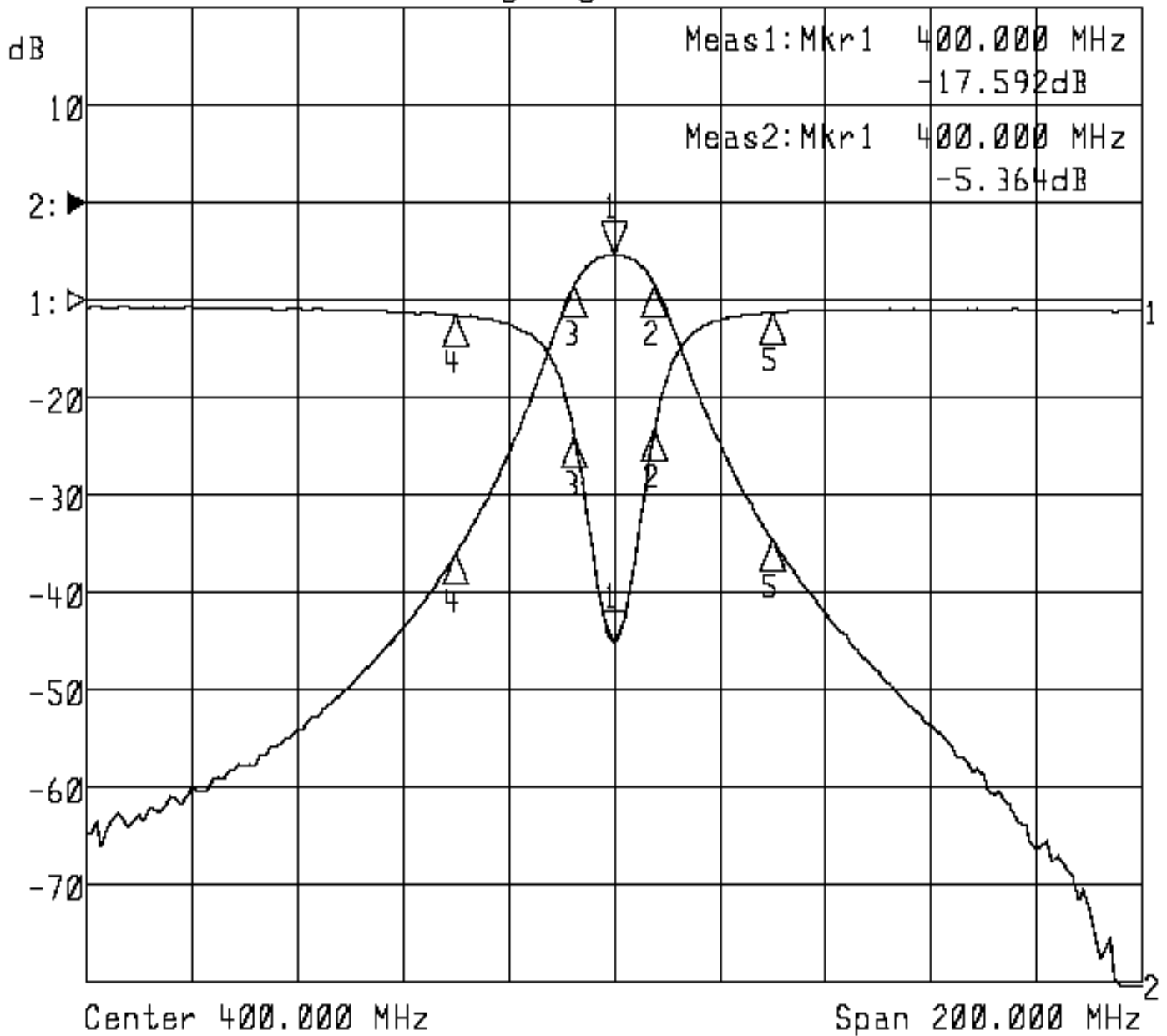
Approval	Supervisor	Designer	Aperture size
C.Y.Chang	C.S.Chang	C.S.Chang	5R3S(3.8*3.7)

TEMWELL CORPORATION

Performance-TTR3630A-400M

20201055DC

▶1:S11 Refl Port1 Log Mag 5.0 dB/ Ref 0.00 dB C
 ▶2:S12 Rev Trans Log Mag 10.0 dB/ Ref 0.00 dB C



1:Mkr (MHz)	dB	2:Mkr (MHz)	dB
1> 400.0000	-17.592	1> 400.0000	-5.364
2: 407.7333	-6.659	2: 407.7333	-8.375
3: 392.6000	-6.980	3: 392.6000	-8.376
4: 370.0000	-0.750	4: 370.0000	-36.118
5: 430.0000	-0.650	5: 430.0000	-34.584