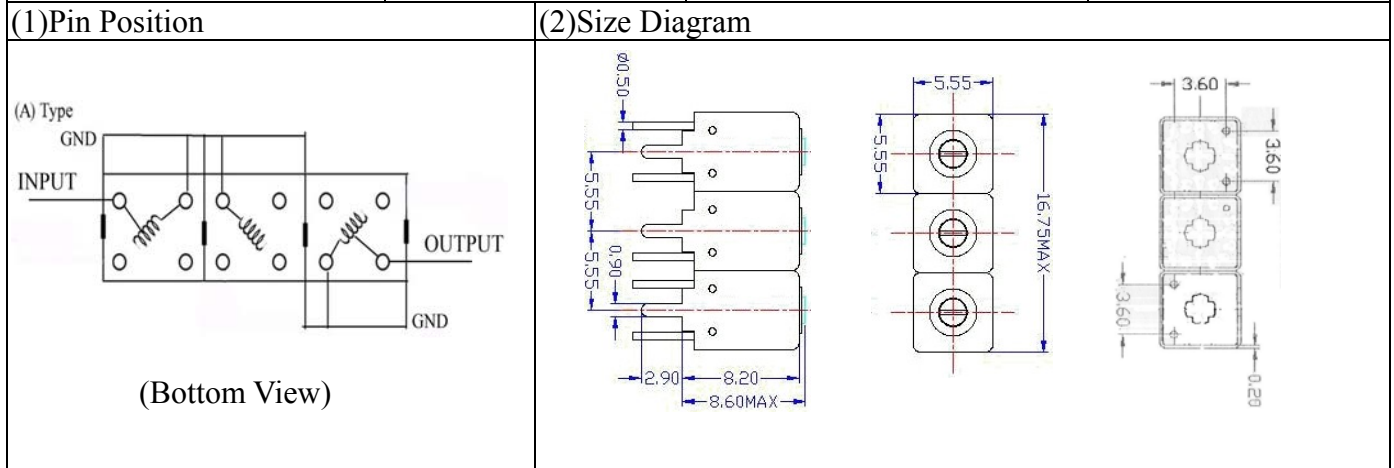


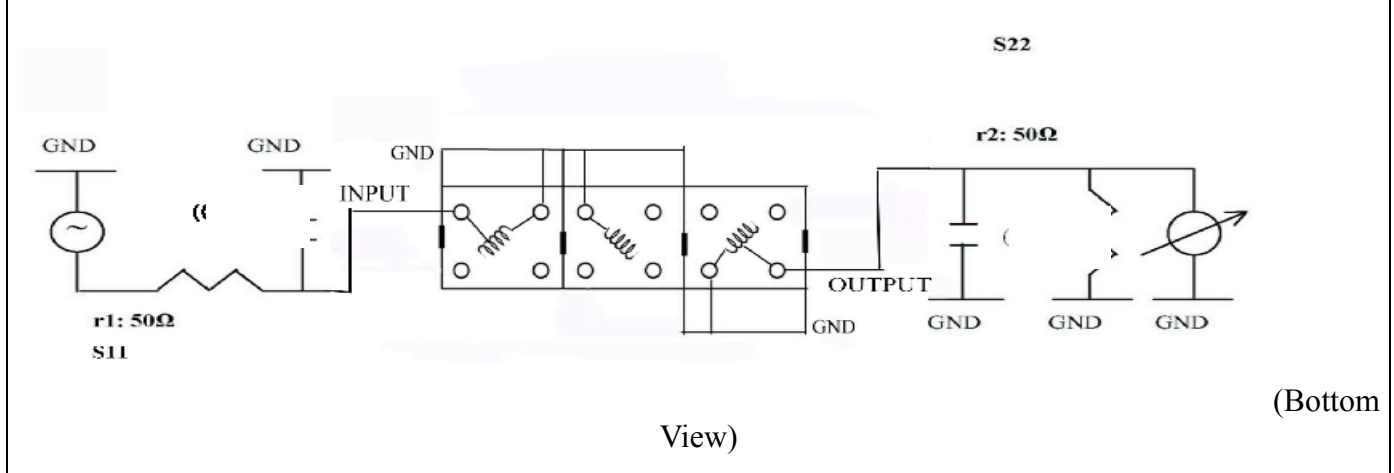
VHF UHF Helical Filter Specification Sheet

Customer Name		Temwell's Part No.	TTR3627A-380M
Approval No. /dated		Temwell's Print name.	3627A 380M
Work Instruction No.	201310080ED	Date	Oct.29.2013



(3) Electric Characteristic					
Item		Specify		Performance	
Center Freq.(Fo) +/- 0.5 %		380 MHz		380 MHz	
Insertion Loss		Typ. 3.5 dB		2.44 dB	
-3 dB Bandwidth		Typ. 20 MHz		21.5 MHz	
Sensitivity (Attenuation)	Fo - 50 MHz	Typ. 39 dBc		44 dBc	
	Fo + 50 MHz	Typ. 33 dBc		38 dBc	
	Fo - ()MHz	Typ. dBc		dBc	
	Fo +()MHz	Typ. dBc		dBc	
Return Loss		Min. 12 dB		22.8 dB	
Ripple		< 1 dB		dB	
Impedance		In / Out : 50 Ω		In / Out : 50 Ω	
(4) Torque for Tuning Screw		> 60gf • cm			
(5) Temperature Condition:					
Operating Temperature		0°C ~ +60°C			
Storage Temperature		-20°C ~ +70°C			
(6) Input Power		> 0.5 Watt			

(7) Measuring Circuit: ※Easy to match Impedance S11/S22 50Ω/ by parallel with about(--)/ (--).



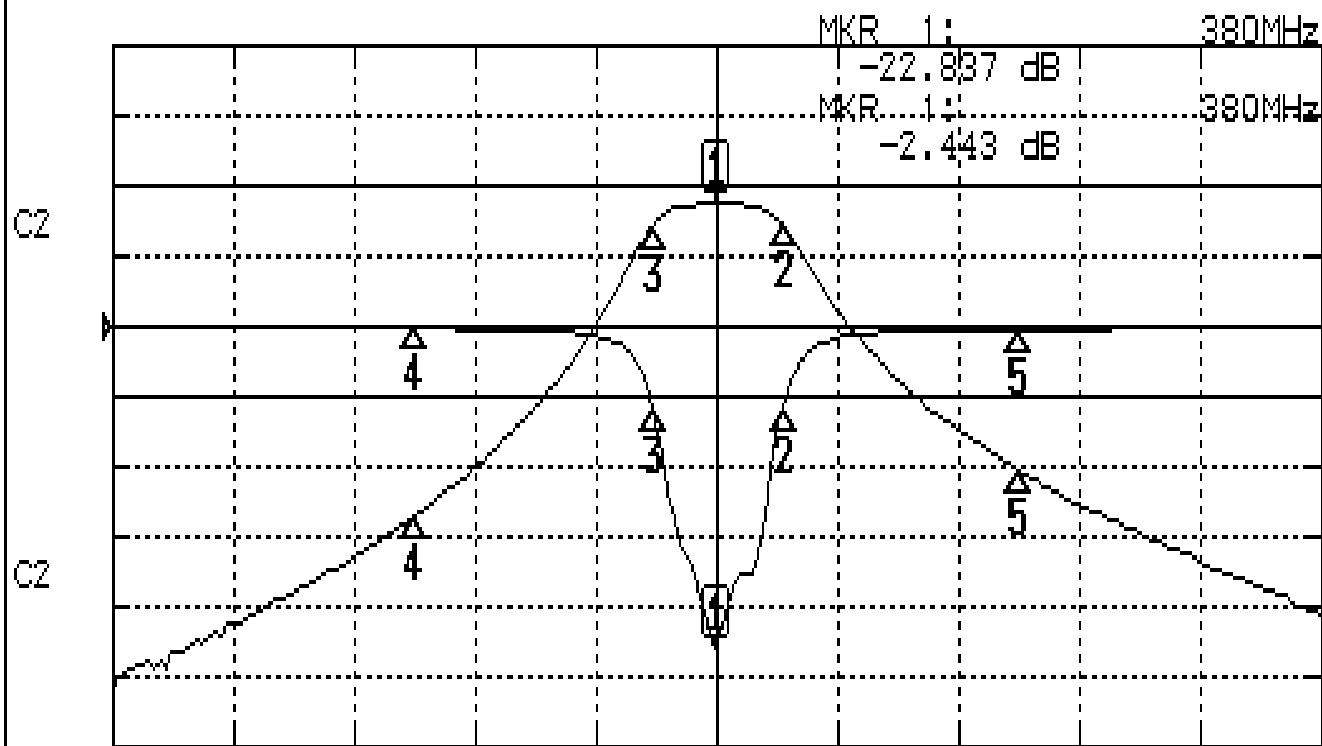
Approval	Supervisor	Designer	Aperture size
C.Y.Chang	C.K.Chang	C.Ko.Chang	5R3S(3.8*4.65)(5.52) 5HW024RB3

TEMWELL CORPORATION

Performance-TTR3627A-380M

201310080ED

CH1 S11 LOG MAG REF 0.000 dB 5.000 dB/
CH2 S21 LOG MAG REF 0.000 dB 10.000 dB/



CENTER 380MHz

[10.00 dBm]

SPAN 200MHz

CH1 MARKER LIST

1:	380.000MHz	-22.837 dB
2:	391.000MHz	-15.751 dB
3:	369.500MHz	-15.902 dB
4:	330.000MHz	-0.122 dB
5:	430.000MHz	-0.195 dB

CH2 MARKER LIST

1:	380.000MHz	-2.443 dB
2:	391.000MHz	-15.534 dB
3:	369.500MHz	-15.590 dB
4:	330.000MHz	-47.059 dB
5:	430.000MHz	-40.600 dB