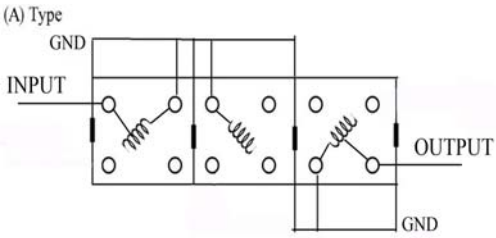
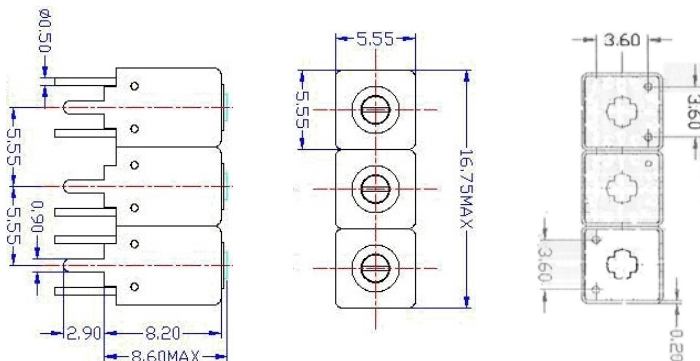


VHF UHF Helical Filter Specification Sheet

Customer Name		Temwell's Part No.	TTR3625A-325M
Approval No. /dated	20204006DC	Acceptable Specify Fo. Range	300~350MHz
Work Instruction No.	20204006DC	Date	May 30.2003

<p>(1) Pin Position</p>  <p style="text-align: center;">(Bottom View)</p>	<p>(2) Size Diagram</p> 
--	--

(3) Electric Character

Item	Specify	Performance	
Center Freq.(Fo) +/- 0.5 %	325 MHz	325 MHz	
Tunable Range:	325±8 MHz	325±8 MHz	
Insertion Loss	Typ. 4.0 dB	3.4 dB	
-3 dB Bandwidth	Typ. 19 MHz	22 MHz	
Sensitivity (Attenuation)	Fo - 50 MHz	Typ. 42 dBc	45 dBc
	Fo + 50 MHz	Typ. 35 dBc	38 dBc
	Fo - ()MHz	Typ. dBc	dBc
	Fo +()MHz	Typ. dBc	dBc
Return Loss	Min. 12 dB	17 dB	
Ripple	< 1 dB	dB	
Impedance	In / Out : 50 Ω	In / Out : 50 Ω	

(4) Torque for Tuning Screw > 60gf • cm

(5) Temperature Condition:

Operating Temperature	-30°C ~ +70°C
Storage Temperature	-30°C ~ +80°C

(6) Input Power > 1Watt

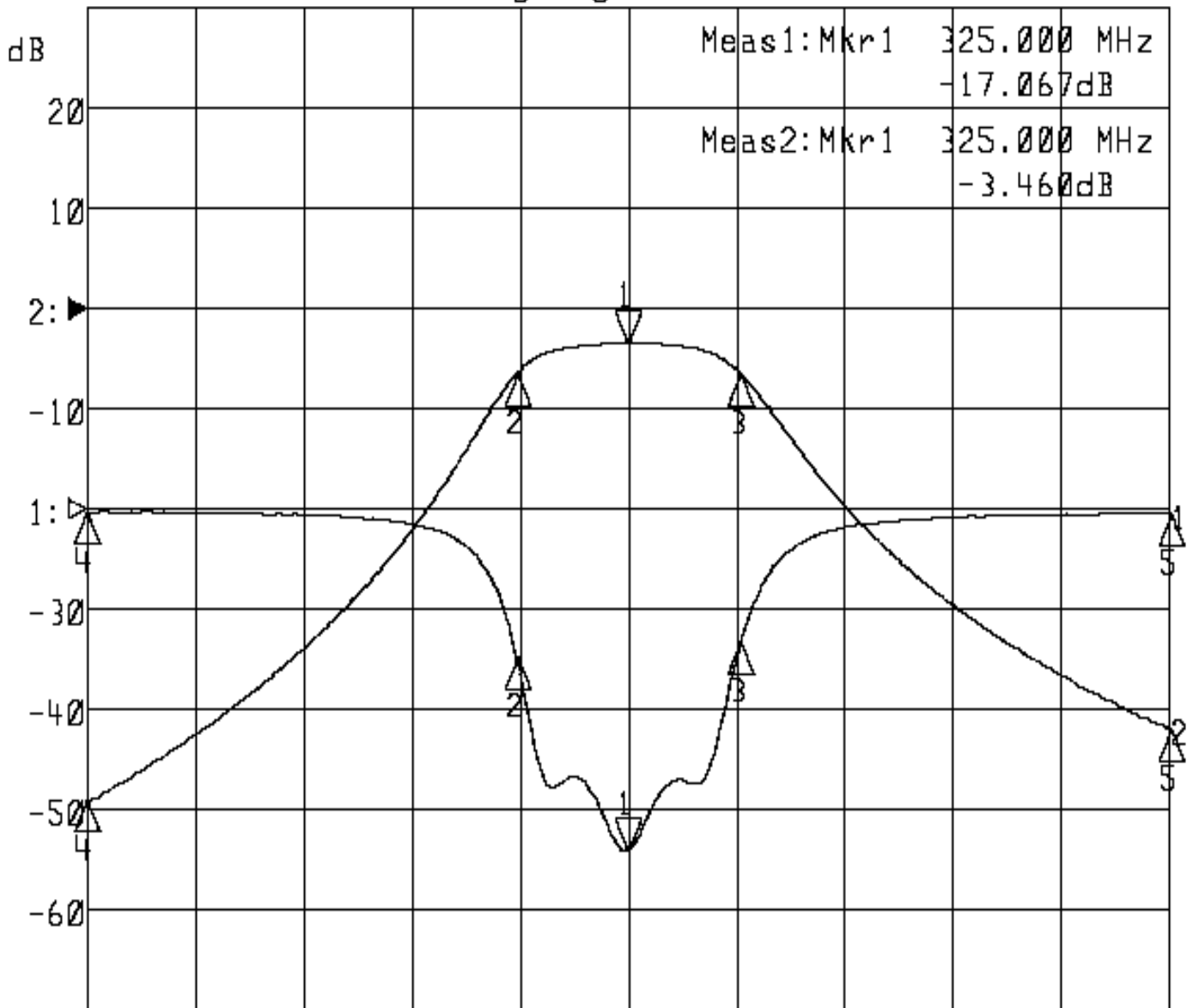
Approval	Supervisor	Designer	Aperture size
C.Y.Chang	C.S.Chang	C.S.Chang	5R3S(3.8*4.7)

TEMWELL CORPORATION

Performance-TTR3625A-325M

20204006DC

▶1:S11 Refl Port1 Log Mag 5.0 dB/ Ref 0.00 dB C
▶2:S21 Fwd Trans Log Mag 10.0 dB/ Ref 0.00 dB C



Center 325.000 MHz

Span 100.000 MHz

1:Mkr (MHz)	dB	2:Mkr (MHz)	dB
1> 325.0000	-17.067	1> 325.0000	-3.460
2: 314.7333	-7.426	2: 314.7333	-6.456
3: 335.4000	-6.669	3: 335.4000	-6.482
4: 275.0333	-0.142	4: 275.0333	-49.123
5: 375.0000	-0.265	5: 375.0000	-42.032