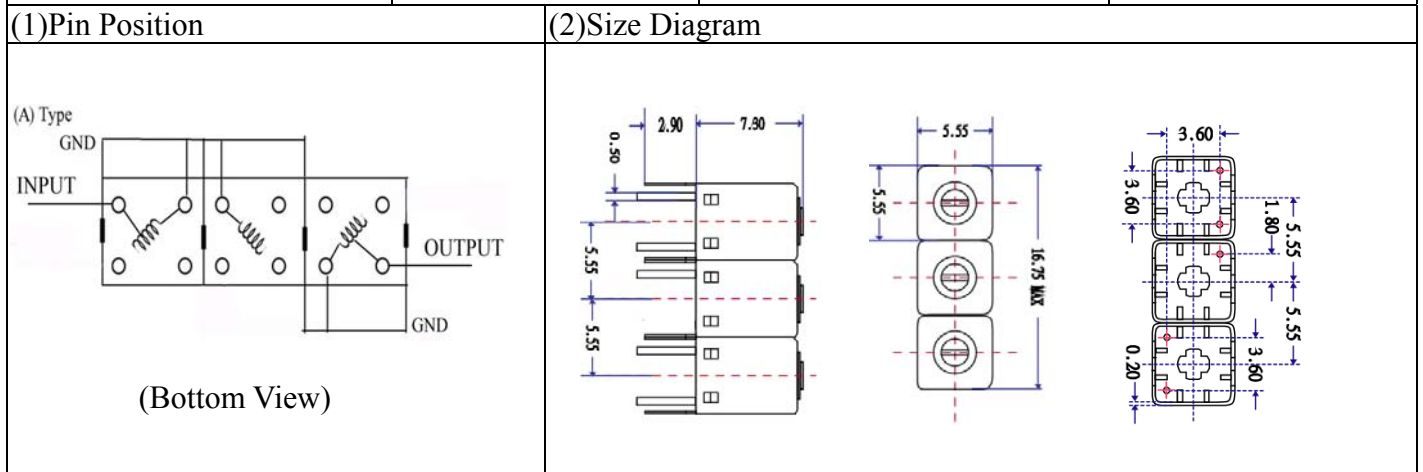


# VHF UHF Helical Filter Specification Sheet

Customer Name		Temwell's Part No.	TTR3621A-230M
Approval No. /dated	201505063CD	Temwell's print name	3621A 230M
Work Instruction No.	201505063CD	Date	Jun.08.2015



### (3) Electric Characteristic

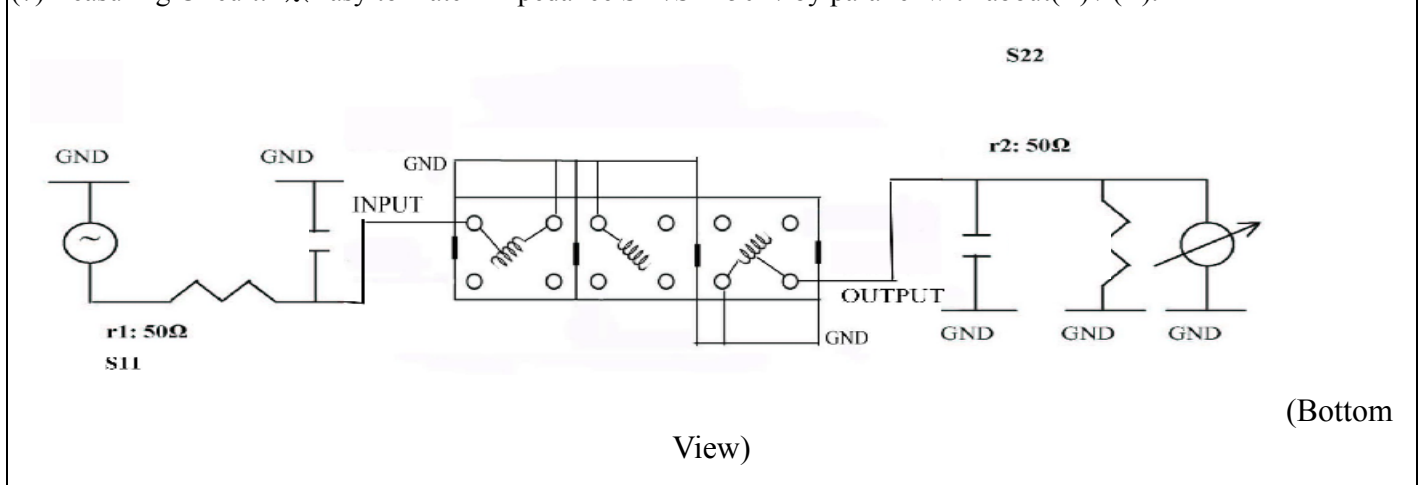
Item	Specify	Performance	
Center Freq.(Fo) +/- 0.5 %	230 MHz	230 MHz	
Insertion Loss	Typ. 7.0 dB	4.20 dB	
-3 dB Bandwidth	Typ. 9 MHz	11.6 MHz	
Sensitivity (Attenuation)	Fo - 30 MHz	Typ. 43 dBc	45 dBc
	Fo + 30 MHz	Typ. 37 dBc	40 dBc
	Fo - ( )MHz	Typ. dBc	dBc
	Fo + ( )MHz	Typ. dBc	dBc
Return Loss	Min. 12 dB	19.4 dB	
Ripple	< 1 dB	dB	
Impedance	In / Out : 50 Ω	In / Out : 50 Ω	
(4) Torque for Tuning Screw	> 60gf • cm		

### (5) Temperature Condition:

Operating Temperature	0°C ~ +60°C
Storage Temperature	-20°C ~ +70°C

### (6) Input Power

(7) Measuring Circuit: ※Easy to match Impedance S11/S22 50Ω/ by parallel with about(-) / (-).



Approval	Supervisor	Designer	Aperture size
C.Y.Chang	C.K.Chang	C.S.Chang	5R3S(3.8*4.2)(5.25) 5HW00LB3

TEMWELL CORPORATION

# Performance-TTR3621A-230M

## 201505063CD

Tr1 S11 Log Mag 5.000dB/ Ref 0.000dB [F2]  
Tr2 S21 Log Mag 10.00dB/ Ref 0.000dB [F2]

