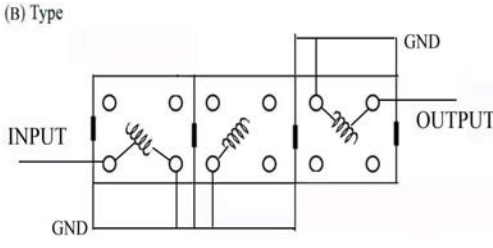
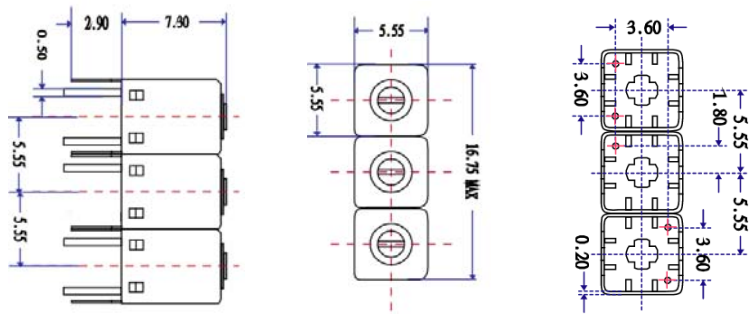
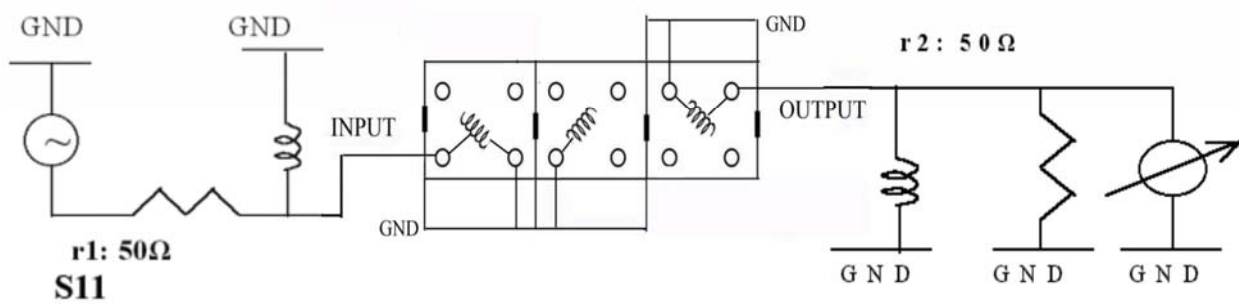


VHF UHF Helical Filter Specification Sheet

Customer Name		Temwell's Part No.	TTR3620B-230M
Approval No. /dated	201505062CD	Temwell's Print Name.	3620B 230M
Work Instruction No.	201505062CD	Date	Jun.10.2015

(1) Pin Position	(2) Size Diagram
	

(3) Electric Character			
Item	Specify	Performance	
Center Freq.(Fo) +/- 0.5 %	230 MHz	230 MHz	
Insertion Loss	Typ. 6.0 dB	3.21 dB	
-3 dB Bandwidth	Typ. 12 MHz	13.5 MHz	
Sensitivity (Attenuation)	Fo -30 MHz	Typ. 35 dBc	43 dBc
	Fo +30 MHz	Typ. 26 dBc	35 dBc
	Fo -()MHz	Typ. dBc	dBc
	Fo +()MHz	Typ. dBc	dBc
Return Loss	Min. 12 dB	29.5 dB	
Ripple	< 1 dB	dB	
Impedance	In / Out : 50 Ω	In / Out : 50 Ω	
(4) Torque for Tuning Screw	> 60gf · cm		
(5) Temperature Condition:			
Operating Temperature	0°C ~ +60°C		
Storage Temperature	-20°C ~ +70°C		
(6) Input Power	> 0.5Watt		

(7) Measuring Circuit: ※Easy to match Impedance S11/S22 50Ω by parallel with about(- -). S 2 2

(Bottom View)

Approval	Supervisor	Designer	Aperture size
C.Y.Chang	C.K.Chang	C.S.Chang	5R3S(3.8*4.65)(5.52) 5HW00LB3

Performance-TTR3620B-230M

201505062CD

Tr1 S11 Log Mag 5.000dB/ Ref 0.000dB [F2]
Tr2 S21 Log Mag 10.000dB/ Ref 0.000dB [F2]

