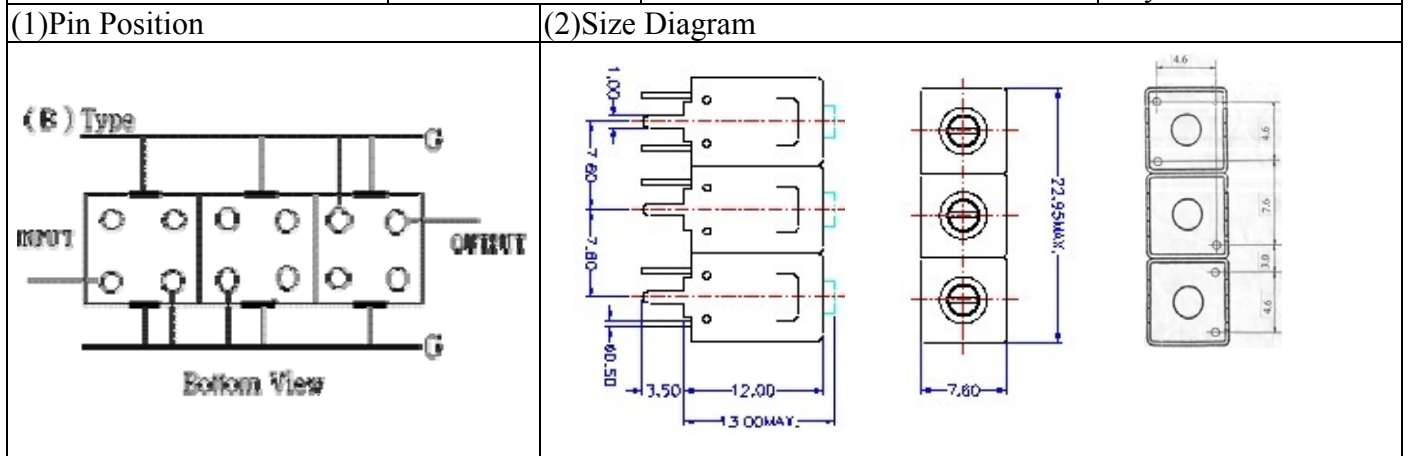


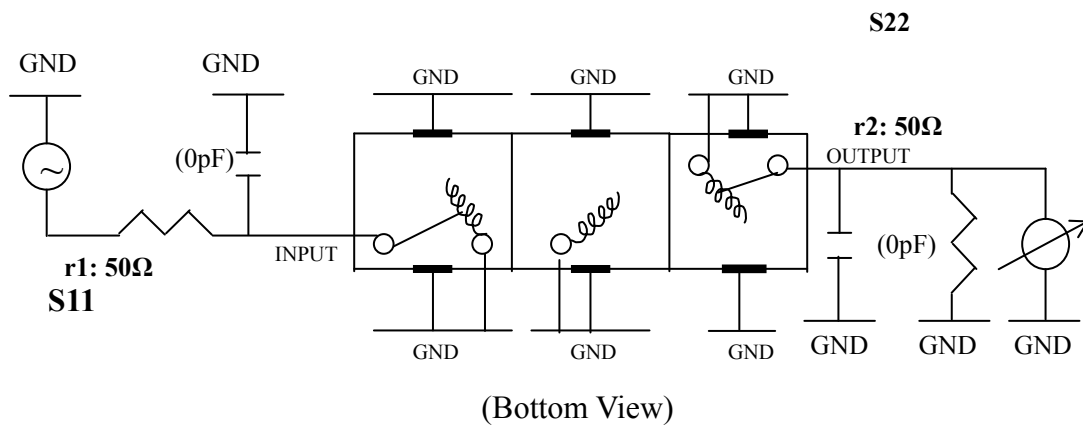
# VHF UHF Helical Filter Specification Sheet

|                      |            |                              |                |
|----------------------|------------|------------------------------|----------------|
| Customer Name        |            | Temwell's Part No.           | TTL6875B-73.5M |
| Approval No. /dated  | 20505017DB | Acceptable Specify Fo. Range | 68~75MHz       |
| Work Instruction No. | 20505017DB | Date                         | May.24.2005    |



|                             |                  |                 |                 |
|-----------------------------|------------------|-----------------|-----------------|
| (3) Electric Characteristic |                  |                 |                 |
| Item                        |                  | Specify         | Performance     |
| Center Freq.(Fo) +/- 0.5 %  |                  | 73.5 MHz        | 73.5 MHz        |
| Tunable Range               |                  | 73.5±2 MHz      | 73.5±2 MHz      |
| Insertion Loss              |                  | Typ. 8.5 dB     | 7.4 dB          |
| -3 dB Bandwidth             |                  | Typ. 1.0 MHz    | 1.7 MHz         |
| Sensitivity (Attenuation)   | Fo - ( 1.75 )MHz | Typ. 8 dB       | 11 dB           |
|                             | Fo + ( 1.75 )MHz | Typ. 9 dB       | 12 dB           |
|                             | Fo - ( )MHz      | Typ. dB         | dB              |
|                             | Fo + ( )MHz      | Typ. dB         | dB              |
| Return Loss                 |                  | Min. 12 dB      | 31 dB           |
| Ripple                      |                  | < 1 dB          | dB              |
| Impedance                   |                  | In / Out : 75 Ω | In / Out : 75 Ω |
| (4) Torque for Tuning Screw |                  | > 100gf · cm    |                 |
| (5) Temperature Condition:  |                  |                 |                 |
| Operating Temperature       |                  | 0°C ~ +60°C     |                 |
| Storage Temperature         |                  | -20°C ~ +70°C   |                 |
| (6) Input Power             |                  | > 1 Watt        |                 |

(7) Measuring Circuit: ※ Easy to match Impedance S11/S22 75Ω/by parallel with about ( 0 pF) / ( 0 pF).



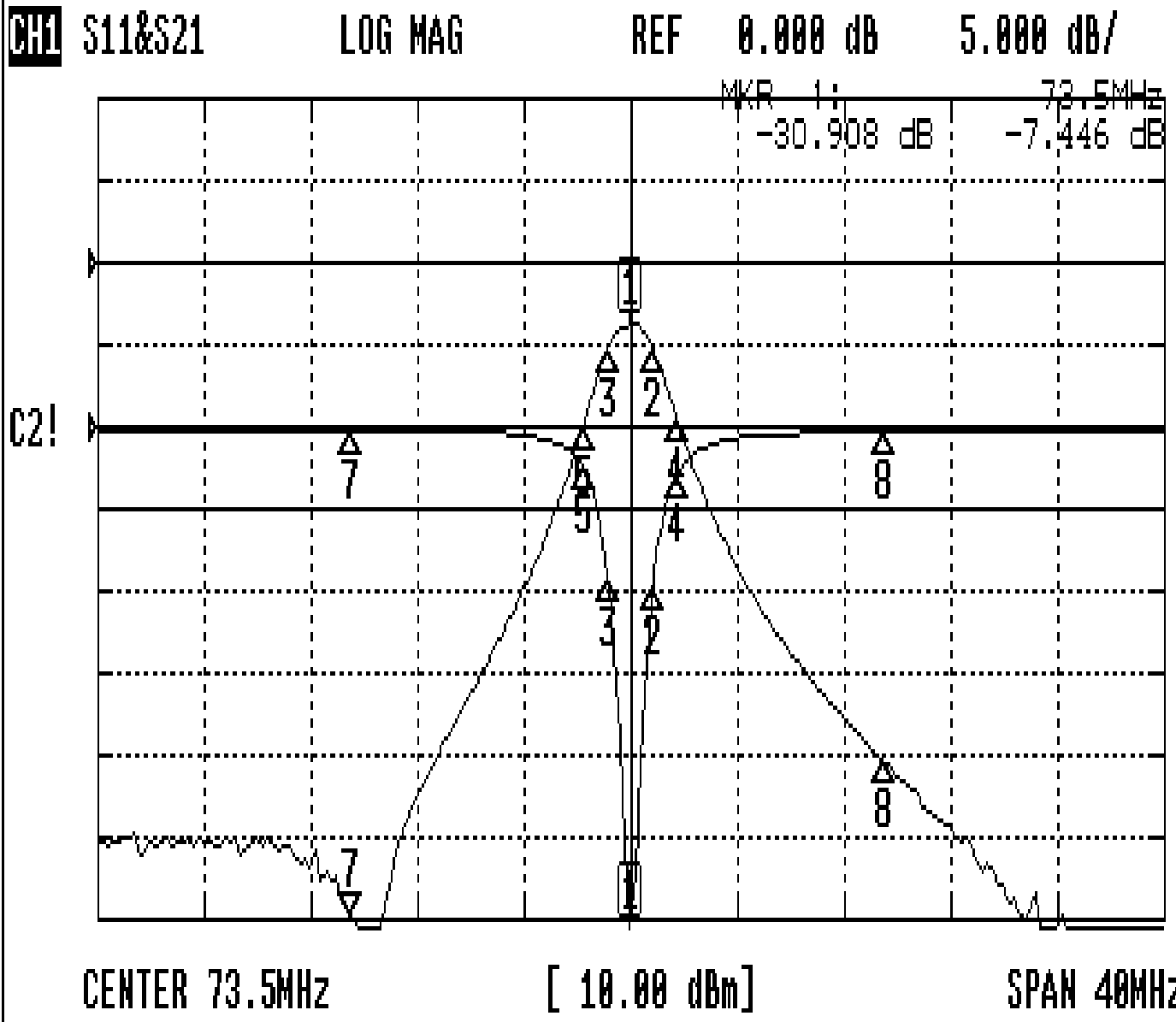
|             |            |          |                              |
|-------------|------------|----------|------------------------------|
| Approval    | Supervisor | Designer | Aperture size                |
| C. Y. Chang | C.S.Chang  | Enlan    | 7H3(4*4.65)(4.7)F<br>7H00LB4 |

TEMWELL CORPORATION

RF Filter & Duplexer Manufacturer : TTL6875B-73.5M rvbw 0505

# Performance-TTL6875B-73.5M

## 20505017DB



### CH1 MARKER LIST

|    |           |            |            |
|----|-----------|------------|------------|
| 1: | 73.500MHz | -31.034 dB | -7.452 dB  |
| 2: | 74.366MHz | -9.555 dB  | -10.362 dB |
| 3: | 72.666MHz | -9.373 dB  | -10.455 dB |
| 4: | 75.250MHz | -2.901 dB  | -18.879 dB |
| 5: | 71.750MHz | -2.516 dB  | -19.722 dB |
| 6: |           |            |            |
| 7: | 63.000MHz | -0.166 dB  | -79.538 dB |
| 8: | 83.000MHz | -0.242 dB  | -60.781 dB |