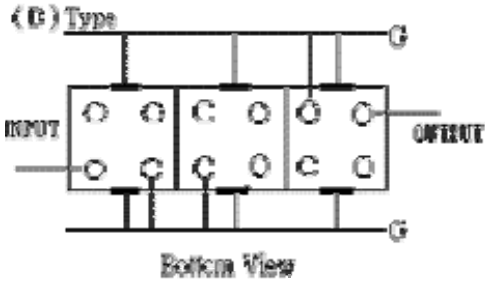
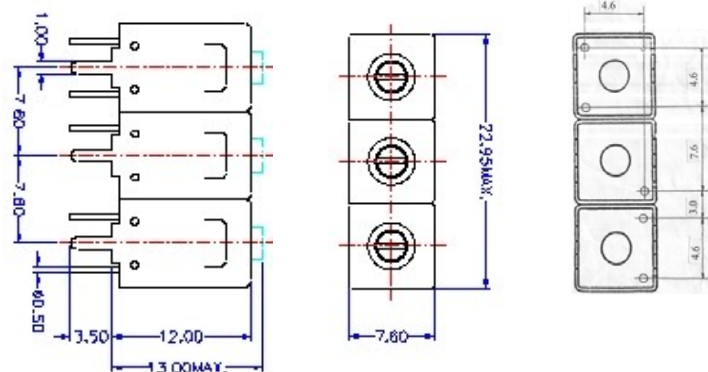


VHF UHF Helical Filter Specification Sheet

Customer Name		Temwell's Part No.	TTL6836B-285.5M
Approval No. /dated	20408033DC	Acceptable Specify Fo. Range	276~310MHz
Work Instruction No.	20408033DC	Date	Aug.17.2004

<p>(1) Pin Position</p>  <p style="text-align: center;">Bottom View</p>	<p>(2) Size Diagram</p> 
--	--

(3) Electric Characteristic

Item	Specify	Performance
Center Freq.(Fo) +/- 0.5 %	285.5 MHz	285.5 MHz
Tunable Range	285.5±4 MHz	285.5±4 MHz
Insertion Loss	Typ. 4.5 dB	3.6 dB
-3 dB Bandwidth	Typ. 6 MHz	8 MHz
Sensitivity (Attenuation)	Fo - 10 MHz	Typ. 19 dBc
	Fo + 10 MHz	Typ. 18 dBc
	Fo - ()MHz	Typ. dBc
	Fo + ()MHz	Typ. dBc
Return Loss	Min. 12 dB	25.4 dB
Ripple	< 1 dB	dB
Impedance	In / Out : 75 Ω	In / Out : 75 Ω

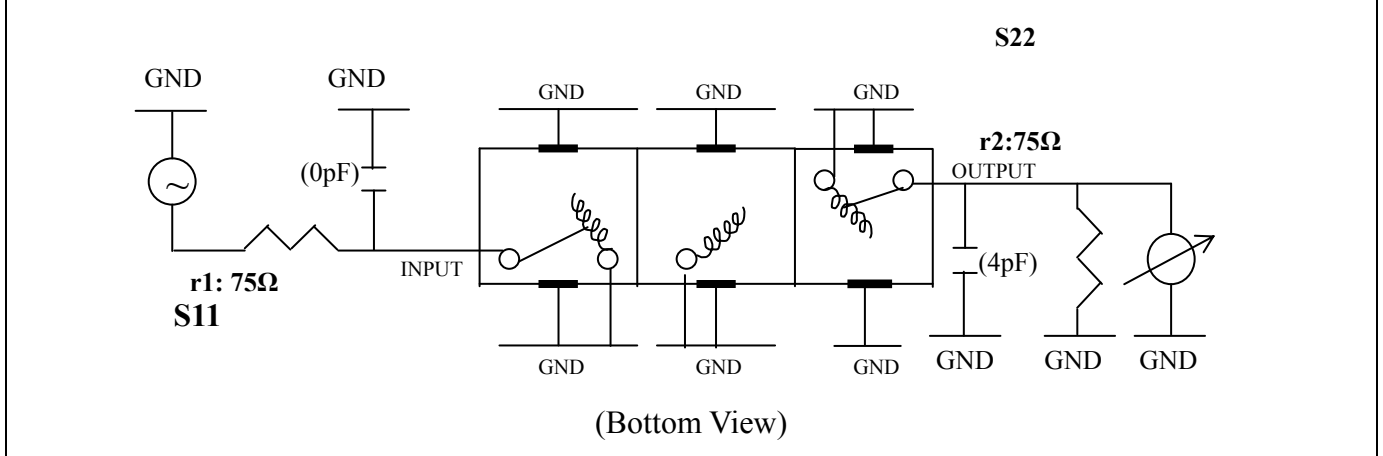
(4) Torque for Tuning Screw > 100gf · cm

(5) Temperature Condition:

Operating Temperature	0°C ~ +60°C
Storage Temperature	-20°C ~ +70°C

(6) Input Power > 1 Watt

(7) Measuring Circuit: ※Easy to match Impedance S11/S22 /75Ω by parallel with about(0pF) / (0-4pF).

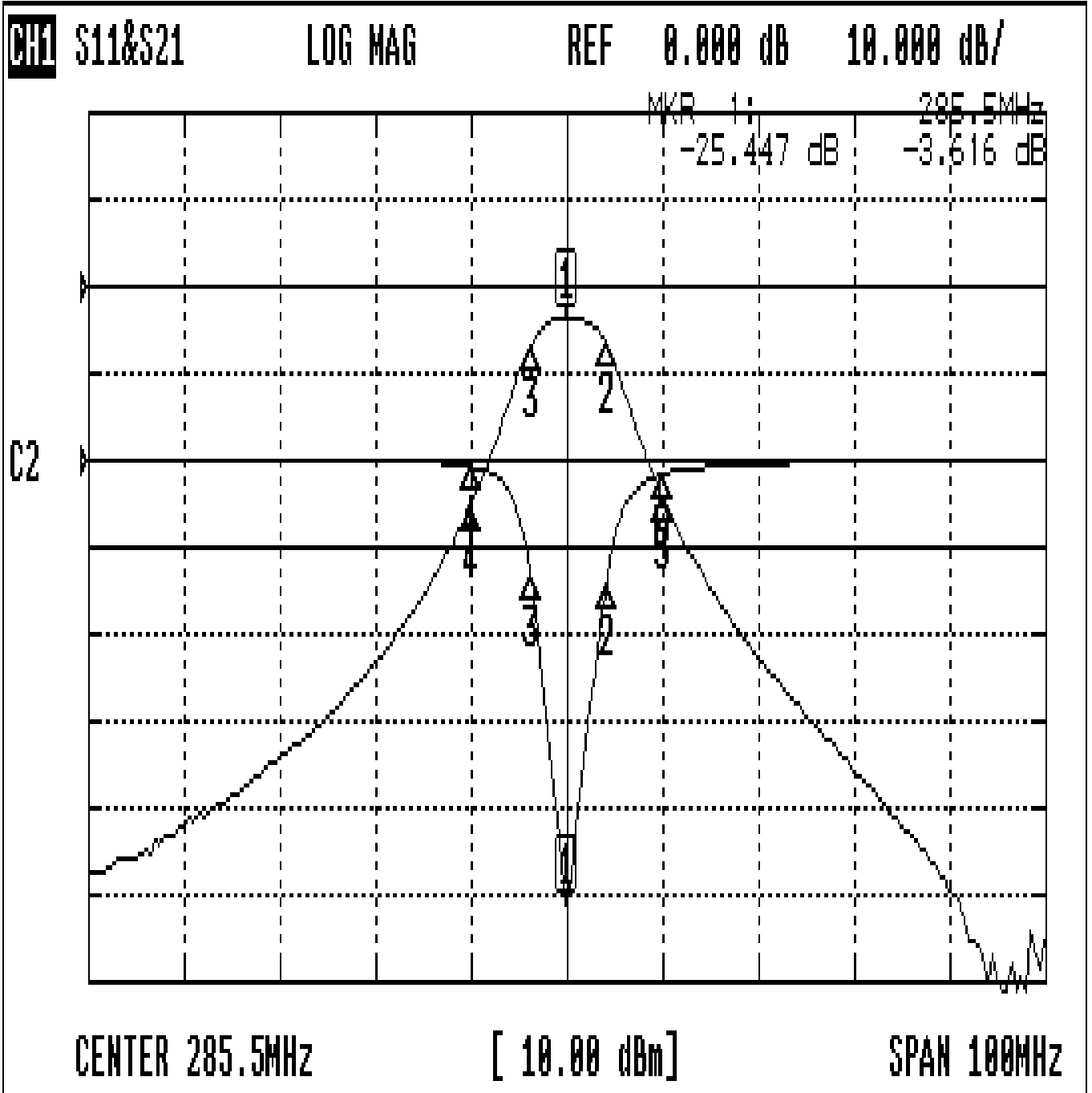


Approval	Supervisor	Designer	Aperture size
C.T. Chang	C.S. Chang	P.H. Chiang	7H3(4*4.65)(4.62) 7H024LB4

TEMWELL CORPORATION

Performance-TTL6836B-285.5M

20408033DC



CH1 MARKER LIST

1:	285.500MHz	-25.447 dB	-3.616 dB
2:	289.666MHz	-7.011 dB	-6.773 dB
3:	281.750MHz	-6.591 dB	-6.617 dB
4:	275.500MHz	-0.371 dB	-25.101 dB
5:	295.500MHz	-0.800 dB	-24.078 dB