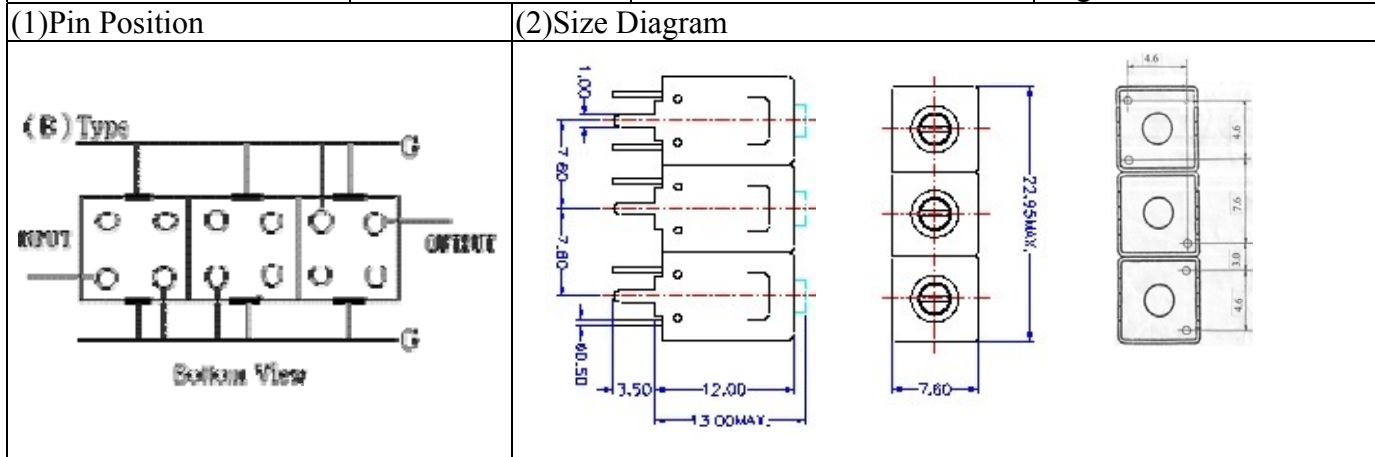


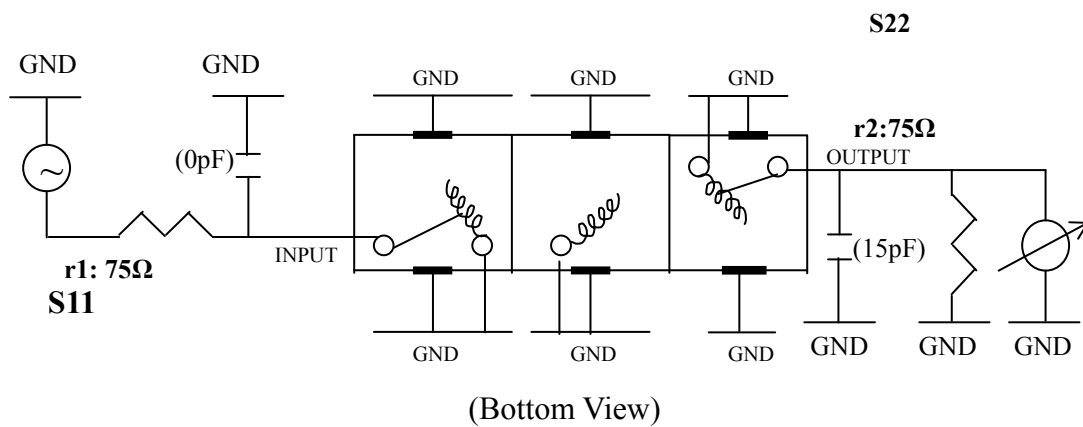
# VHF UHF Helical Filter Specification Sheet

Customer Name		Temwell's Part No.	TTL6829B-201.5M
Approval No. /dated	20408025DC	Acceptable Specify Fo. Range	196~220MHz
Work Instruction No.	20408025DC	Date	Aug.19.2004



(3) Electric Character			
Item		Specify	Performance
Center Freq.(Fo) +/- 0.5 %		201.5 MHz	201.5 MHz
Tunable Range		201.5±4 MHz	201.5±4 MHz
Insertion Loss		Typ. 4.0 dB	3.3 dB
-3 dB Bandwidth		Typ. 6 MHz	7 MHz
Sensitivity (Attenuation)	Fo - 10 MHz	Typ. 24 dBc	27 dBc
	Fo + 10 MHz	Typ. 22 dBc	25 dBc
	Fo - ( )MHz	Typ. dBc	dBc
	Fo +( )MHz	Typ. dBc	dBc
Return Loss		Min. 12 dB	32.0 dB
Ripple		< 1 dB	dB
Impedance		In / Out : 75 Ω	In / Out : 75 Ω
(4) Torque for Tuning Screw		> 100gf • cm	
(5) Temperature Condition:			
Operating Temperature		0°C ~ +60°C	
Storage Temperature		-20°C ~ +70°C	
(6) Input Power		> 1Watt	

(7) Measuring Circuit: ※Easy to match Impedance S11/S22 /75Ω by parallel with about(0pF) / (0-15pF).



Approval	Supervisor	Designer	Aperture size
C.Y. Chang	C.S. Chang	P.H. Chiang	7H3(4*5.5)(5.60) 7H024LB4

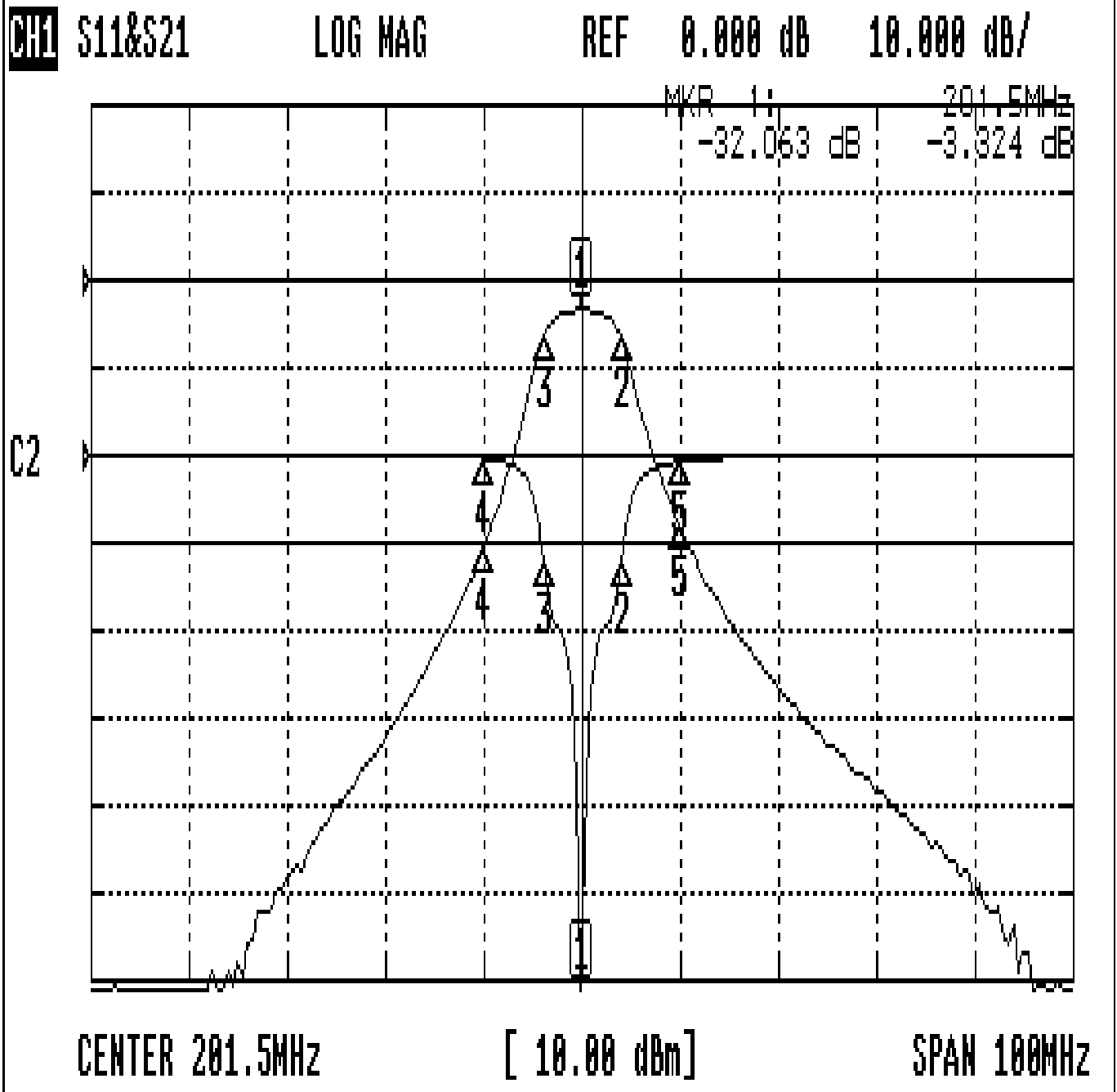
TEMWELL CORPORATION

TEMWELL

Form10-7H3B Vision D

# Performance-TTL6829B-201.5M

## 20408025DC



### CH1 MARKER LIST

1:	201.500MHz	-32.063 dB	-3.324 dB
2:	205.500MHz	-6.168 dB	-6.337 dB
3:	197.666MHz	-5.971 dB	-6.336 dB
4:	191.500MHz	-0.157 dB	-30.657 dB
5:	211.500MHz	-0.326 dB	-28.894 dB