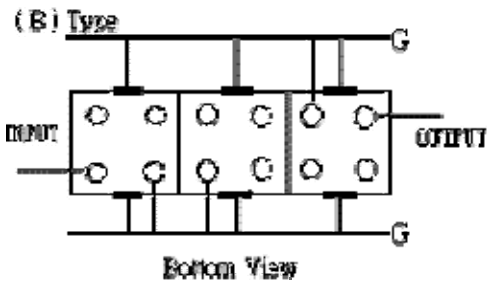
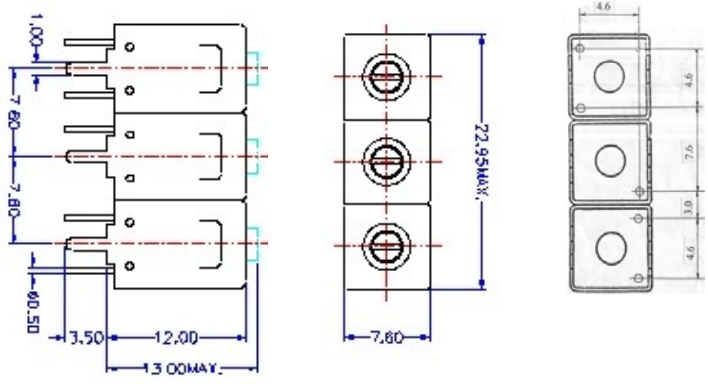


VHF UHF Helical Filter Specification Sheet

Customer Name		Temwell's Part No.	TTL6786B-171.5M
Approval No. /dated	20408038DC	Acceptable Specify Fo. Range	166~195MHz
Work Instruction No.	20408038DC	Date	Aug.20.2004

(1)Pin Position	(2)Size Diagram
	

(3)Electric Character

Item	Specify	Performance	
Center Freq.(Fo) +/- 0.5 %	171.5 MHz	171.5 MHz	
Tunable Range	171.5±2 MHz	171.5±2 MHz	
Insertion Loss	Typ. 5.0 dB	3.95 dB	
-3 dB Bandwidth	Typ. 5 MHz	7 MHz	
Sensitivity (Attenuation)	Fo - 10 MHz	Typ. 30 dBc	33 dBc
	Fo + 10 MHz	Typ. 27 dBc	30 dBc
	Fo - ()MHz	Typ. dBc	dBc
	Fo +()MHz	Typ. dBc	dBc
Return Loss	Min. 12 dB	16.5 dB	
Ripple	< 1 dB	dB	
Impedance	In / Out : 75 Ω	In / Out : 75 Ω	

(4)Torque for Tuning Screw > 100gf • cm

(5)Temperature Condition:

Operating Temperature	0°C ~ +60°C
Storage Temperature	-20°C ~ +70°C

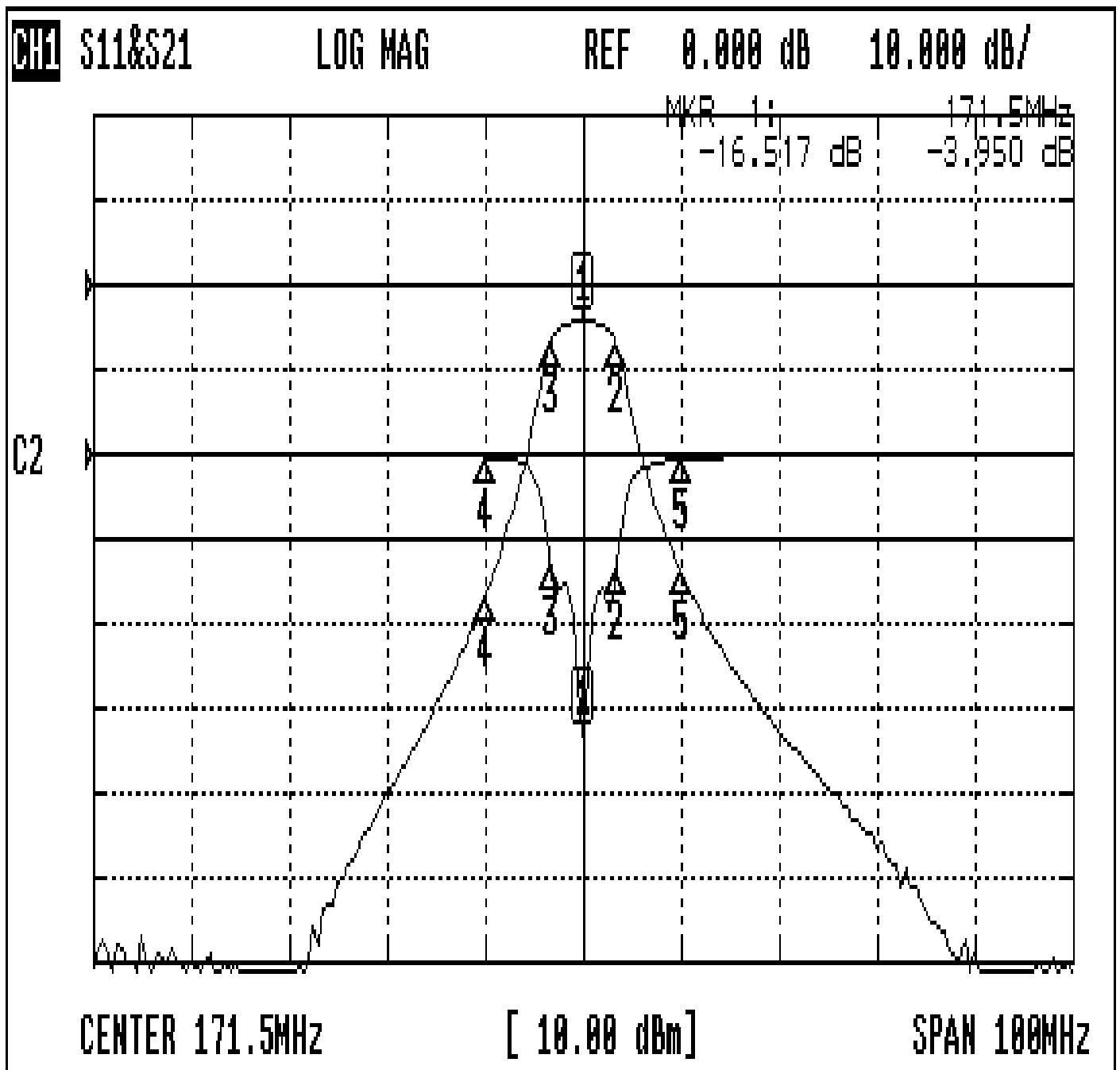
(6)Input Power > 1Watt

Approval	Supervisor	Designer	Aperture size
C.Y. Chang	C.S. Chang	P.H. Chiang	7H3S(4*5.5)(5.61)F 7H024LB4

TEMWELL CORPORATION

Performance-TTL6786B-171.5M

20408038DC



CH1 MARKER LIST

1:	171.500MHz	-16.517 dB	-3.950 dB
2:	174.916MHz	-6.624 dB	-7.839 dB
3:	168.166MHz	-6.541 dB	-6.936 dB
4:	161.500MHz	-0.141 dB	-36.882 dB
5:	181.500MHz	-0.257 dB	-33.846 dB